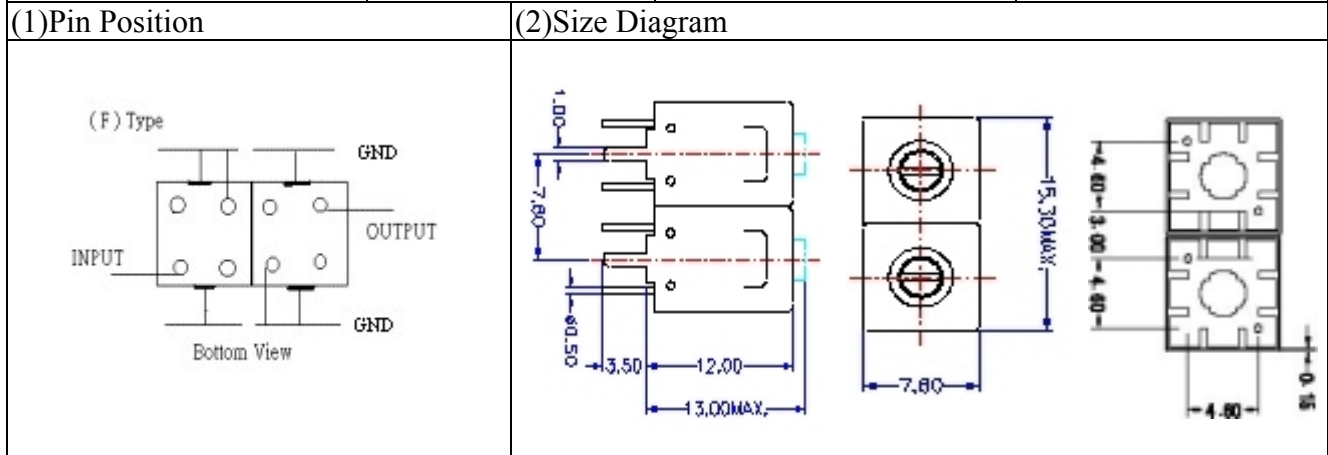


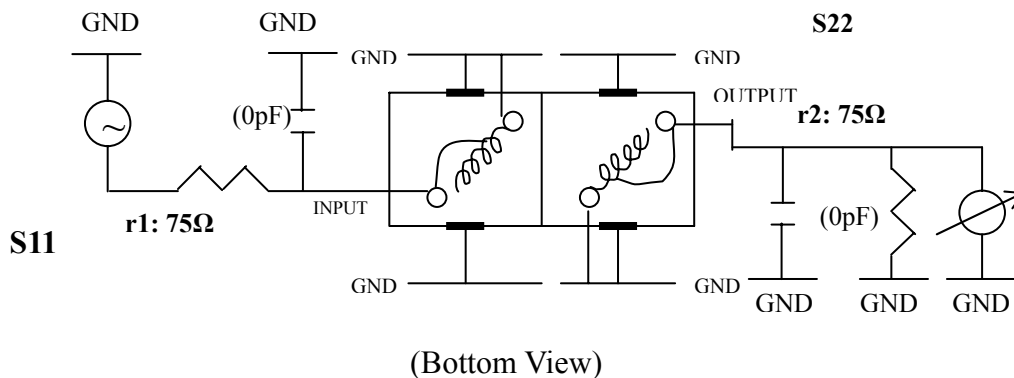
VHF UHF Helical Filter Specification Sheet

Customer Name		Temwell's Part No.	TDL6210F-175.25M
Approval No. /dated	0711009APR	Customer's Part No.	6210F 175.25M
Work Instruction No.	0711009B	Date	Nov.14.2007



(3) Electric Characteristic		Item	Specify
		Center Freq.(Fo) +/- 0.5 %	175.25 MHz
		Tunable Range:	175.25±2 MHz
		Insertion Loss	Typ. 3.0 dB
		-3 dB Bandwidth	Typ. 6 MHz
Sensitivity (Attenuation)	Fo - 20 MHz	Typ.	26 dB
	Fo + 20 MHz	Typ.	27 dB
	Fo - ()MHz	Typ.	dB
	Fo +()MHz	Typ.	dB
		Return Loss	Min. 12 dB
		Ripple	< 1 dB
		Impedance	In / Out : 75 Ω
(4) Torque for Tuning Screw		> 60gf cm	
(5) Temperature Condition:			
Operating Temperature		0 ~ +60	
Storage Temperature		-20 ~ +70	
(6) Input Power		> 1Watt	

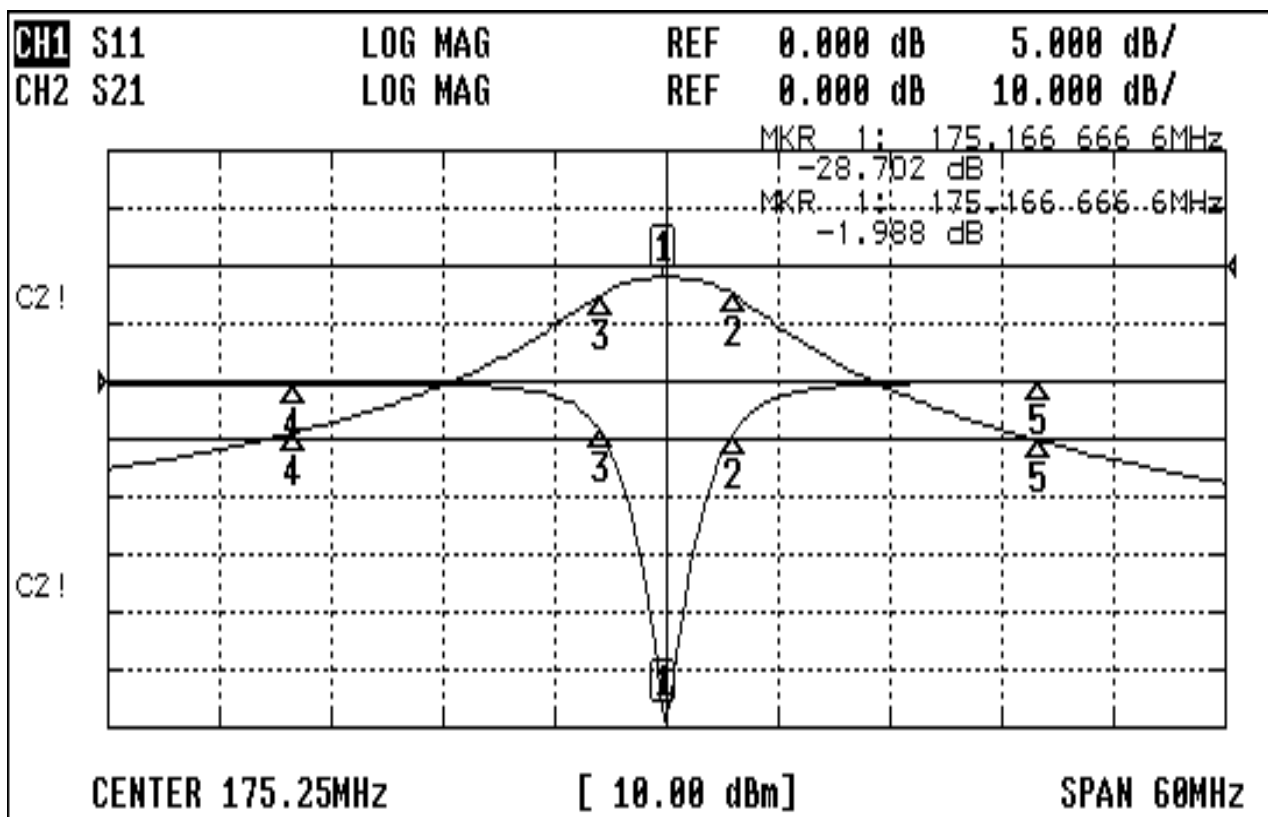
(7) Measuring Circuit: Easy to match Impedance /75Ω by parallel with about (0) pF.



Approval	Supervisor	Designer	Aperture size
C.Y.Chang	C.S.Chang	P.H.Chiang	7H2(4*5.5)F 7H024LB4
TEMWELL		CORPORATION	

Performance-TDL6210F-175.25M

0711009B



CH1 MARKER LIST

1:	175.166MHz	-28.642 dB
2:	178.850MHz	-4.635 dB
3:	171.700MHz	-4.322 dB
4:	155.250MHz	-0.314 dB
5:	195.250MHz	0.003 dB
6:		
7:		
8:		
9:		
10:		

CH2 MARKER LIST

1:	175.166MHz	-1.988 dB
2:	178.850MHz	-4.946 dB
3:	171.700MHz	-4.955 dB
4:	155.250MHz	-28.813 dB
5:	195.250MHz	-30.331 dB
6:		
7:		
8:		
9:		
10:		