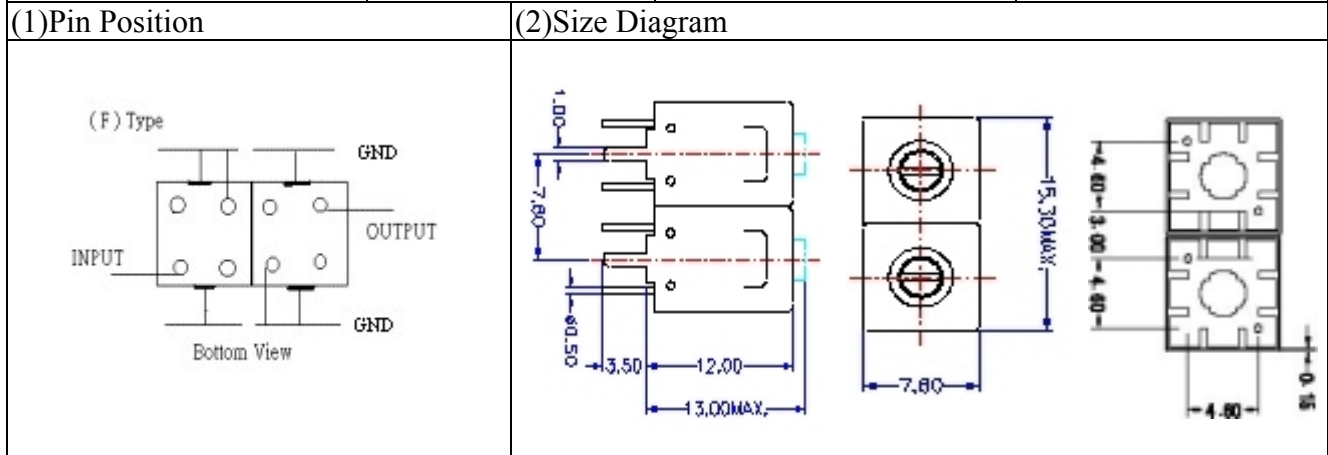


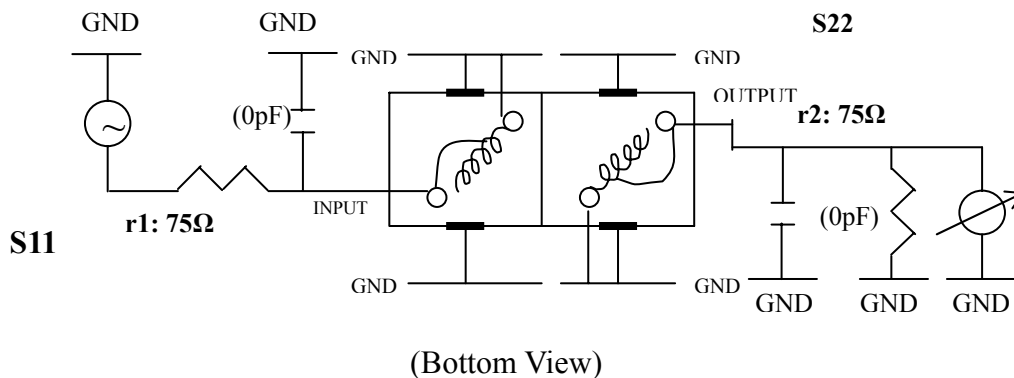
VHF UHF Helical Filter Specification Sheet

Customer Name		Temwell's Part No.	TDL62109F-121.25M
Approval No. /dated	0710096APR	Customer's Part No.	62109F 121.25M
Work Instruction No.	0710096B	Date	Nov.05.2007



(3) Electric Characteristic		Item	Specify
		Center Freq.(Fo) +/- 0.5 %	121.25 MHz
		Tunable Range:	121.25±2 MHz
		Insertion Loss	Typ. 3.0 dB
		-3 dB Bandwidth	Typ. 7 MHz
Sensitivity (Attenuation)	Fo - 30 MHz	Typ. 28 dB	
	Fo + 30 MHz	Typ. 24 dB	
	Fo - ()MHz	Typ. dB	
	Fo +()MHz	Typ. dB	
		Return Loss	Min. 12 dB
		Ripple	< 1 dB
		Impedance	In / Out : 75 Ω
(4) Torque for Tuning Screw		> 60gf cm	
(5) Temperature Condition:			
Operating Temperature		0 ~ +60	
Storage Temperature		-20 ~ +70	
(6) Input Power		> 1Watt	

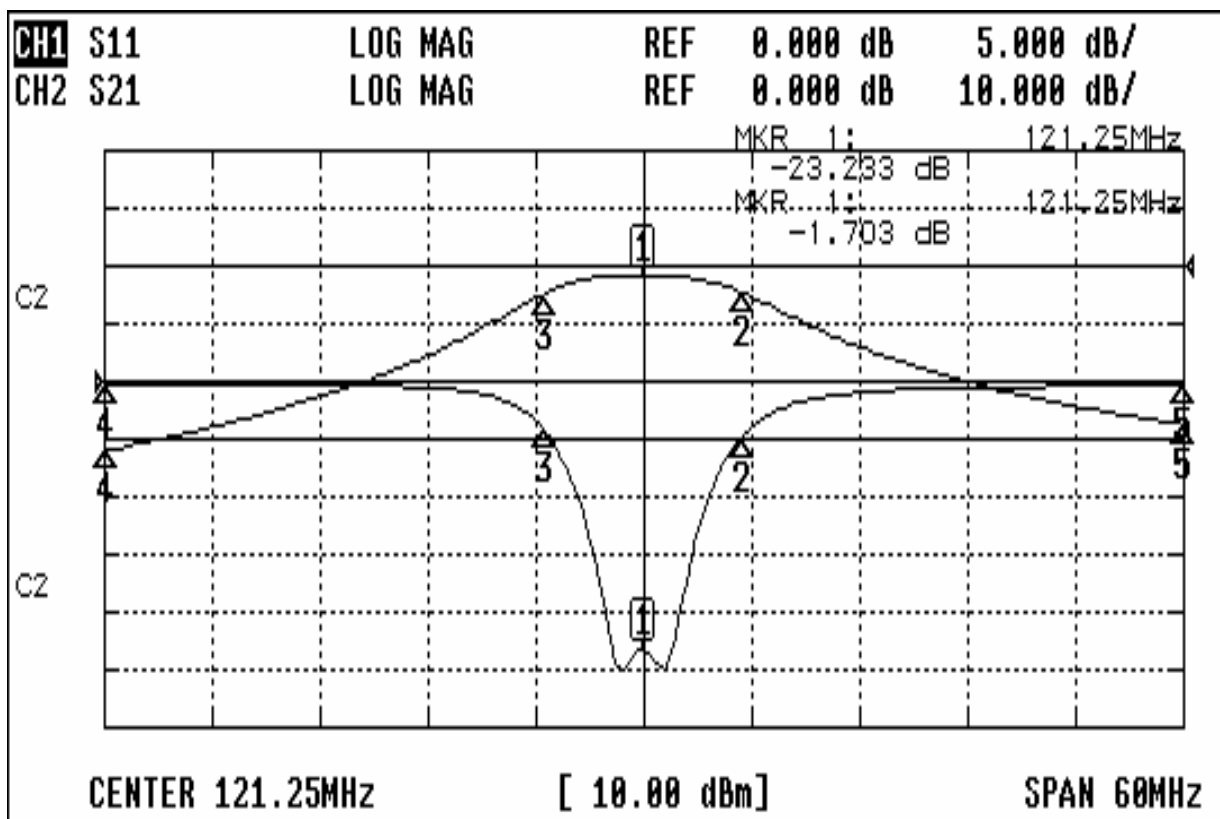
(7) Measuring Circuit: Easy to match Impedance /75Ω by parallel with about (0) pF.



Approval	Supervisor	Designer	Aperture size
C.Y.Chang	C.S.Chang	P.H.Chiang	7H2(4*7.5)F 7H00LB4
TEMWELL		CORPORATION	

Performance-TDL62109F-121.25M

0710096B



CH1 MARKER LIST

1:	121.250MHz	-23.233 dB
2:	126.750MHz	-4.805 dB
3:	115.750MHz	-4.183 dB
4:	91.250MHz	-0.185 dB
5:	151.250MHz	-0.355 dB
6:		
7:		
8:		
9:		
10:		

CH2 MARKER LIST

1:	121.250MHz	-1.705 dB
2:	126.750MHz	-4.703 dB
3:	115.750MHz	-4.722 dB
4:	91.250MHz	-31.958 dB
5:	151.250MHz	-27.359 dB
6:		
7:		
8:		
9:		
10:		