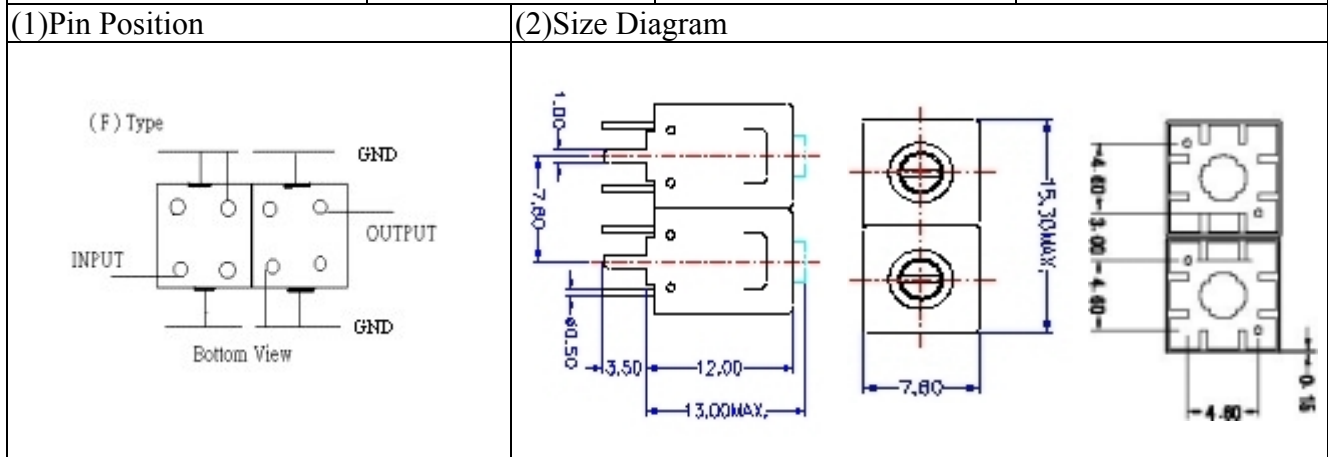


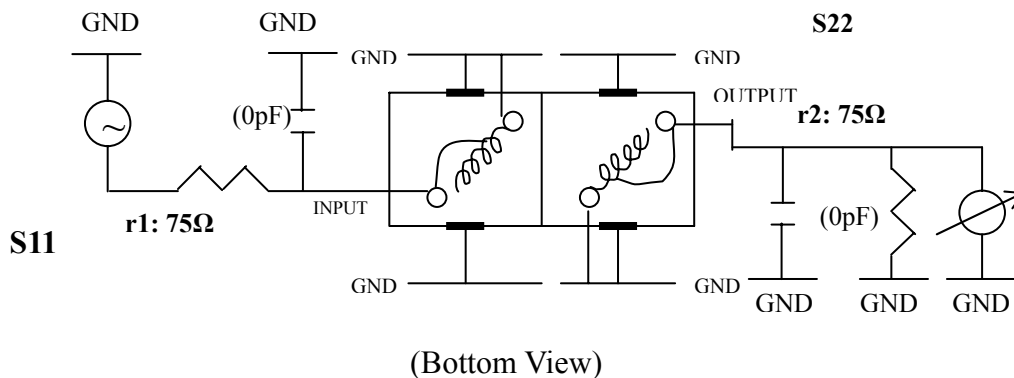
VHF UHF Helical Filter Specification Sheet

Customer Name		Temwell's Part No.	TDL6205F-77.25M
Approval No. /dated	0711007APR	Customer's Part No.	6205F 77.25M
Work Instruction No.	0711007B	Date	Nov.13.2007



(3) Electric Characteristic			
Item		Specify	
Center Freq.(Fo) +/- 0.5 %		77.25	MHz
Tunable Range:		77.25±2	MHz
Insertion Loss		Typ. 3.0	dB
-3 dB Bandwidth		Typ. 6	MHz
Sensitivity (Attenuation)	Fo - 20 MHz	Typ. 25	dB
	Fo + 20 MHz	Typ. 28	dB
	Fo - ()MHz	Typ.	dB
	Fo +()MHz	Typ.	dB
Return Loss		Min. 12	dB
Ripple		< 1	dB
Impedance		In / Out : 75 Ω	
(4) Torque for Tuning Screw > 60gf cm			
(5) Temperature Condition:			
Operating Temperature		0 ~ +60	
Storage Temperature		-20 ~ +70	
(6) Input Power		> 1Watt	

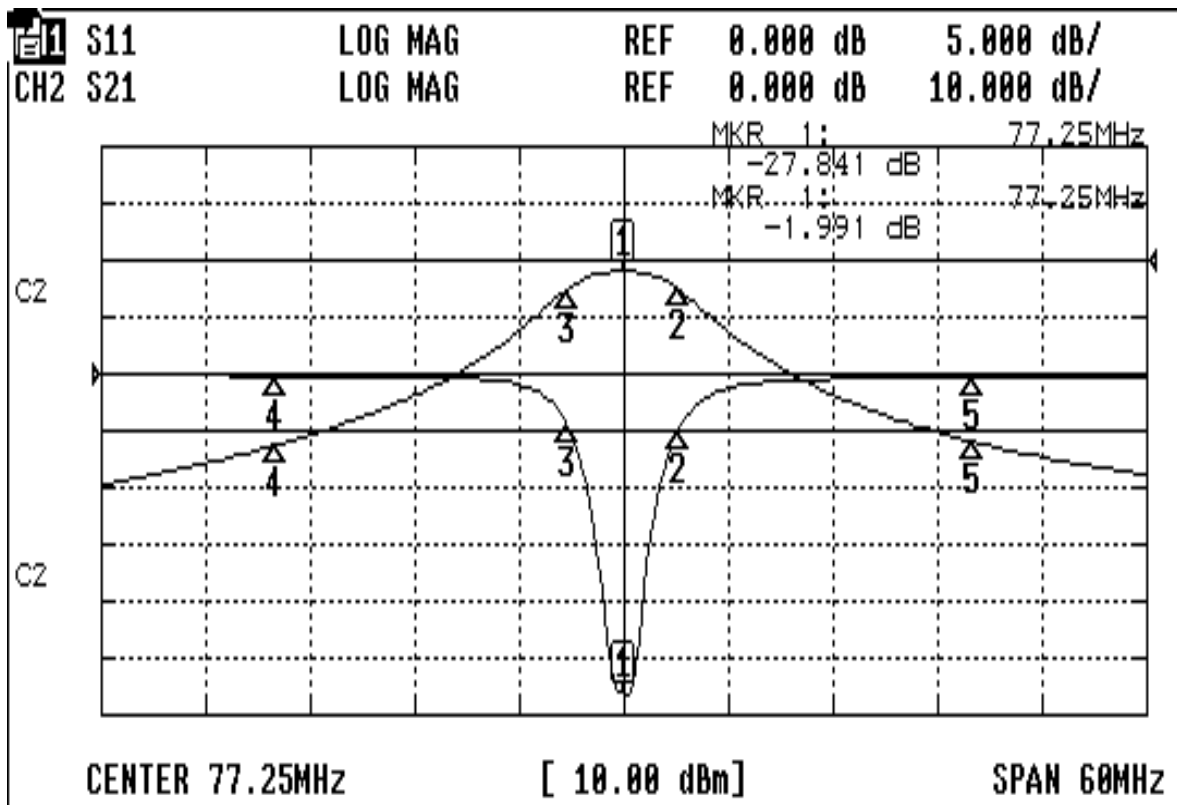
(7) Measuring Circuit: Easy to match Impedance /75Ω by parallel with about (0) pF.



Approval	Supervisor	Designer	Aperture size
C.Y.Chang	C.S.Chang	P.H.Chiang	7H2(4*7.5)F 7H00LB4
TEMWELL		CORPORATION	

Performance-TDL6205F-77.25M

0711007B



CH1 MARKER LIST

1:	77.250MHz	-27.841 dB
2:	80.350MHz	-5.074 dB
3:	74.050MHz	-4.505 dB
4:	57.250MHz	-0.158 dB
5:	97.250MHz	-0.315 dB

CH2 MARKER LIST

1:	77.250MHz	-1.996 dB
2:	80.350MHz	-4.966 dB
3:	74.050MHz	-4.938 dB
4:	57.250MHz	-32.479 dB
5:	97.250MHz	-31.897 dB