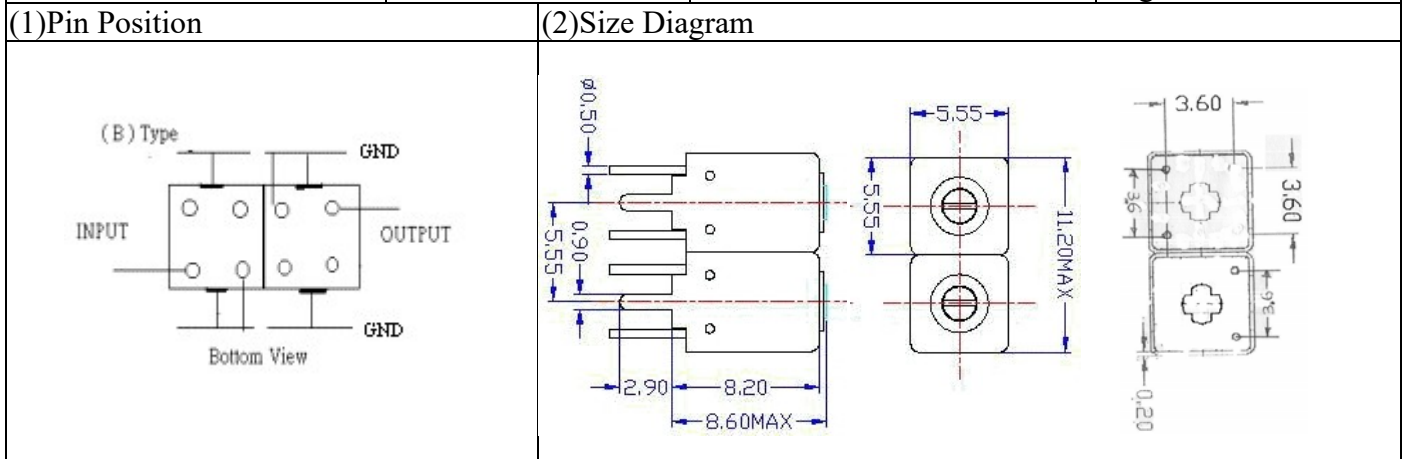


VHF UHF Helical Filter Specification Sheet

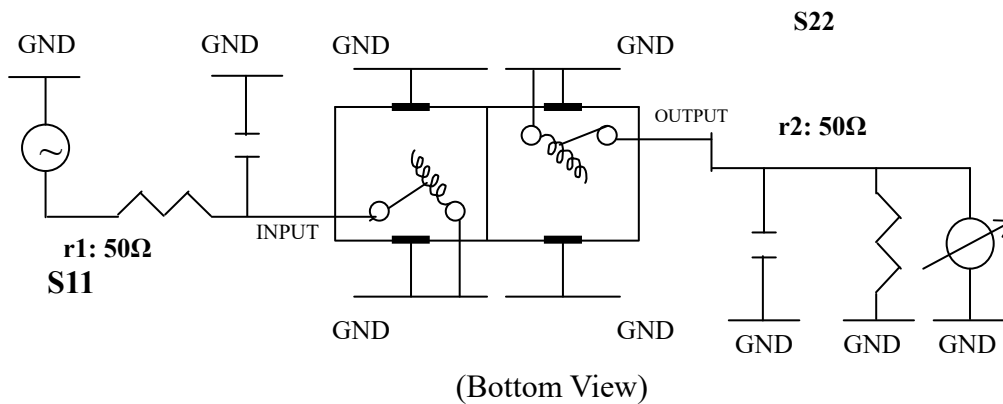
Customer Name		Temwell's Part No.	TDW2980B-940M
Approval No. /dated		Temwell's print Name.	2980B 940M
Work Instruction No.	201408064BD	Date	Aug.27.2014



(3)Electric Charasteric

Item	Specify
Center Freq.(Fo) +/- 0.5 %	940 MHz
Insertion Loss	Typ. 5.0 dB
-3 dB Bandwidth	Typ. 8 MHz
Sensitivity (Attenuation)	Fo - 40 MHz Typ. 15 dB
	Fo + 40 MHz Typ. 14 dB
	Fo - ()MHz Typ. dBc
	Fo +()MHz Typ. dBc
Return Loss	Min. 12 dB
Ripple	< 1 dB
Impedance	In / Out : 50 Ω
(4)Torque for Tuning Screw	> 60gf • cm
(5)Temperature Condition:	
Operating Temperature	0°C ~ +60°C
Storage Temperature	-20°C ~ +70°C
(6)Input Power	> 0.5Watt

(7)Measuring Circuit: ※Easy to match Impedance 50Ω by parallel with about (- -)



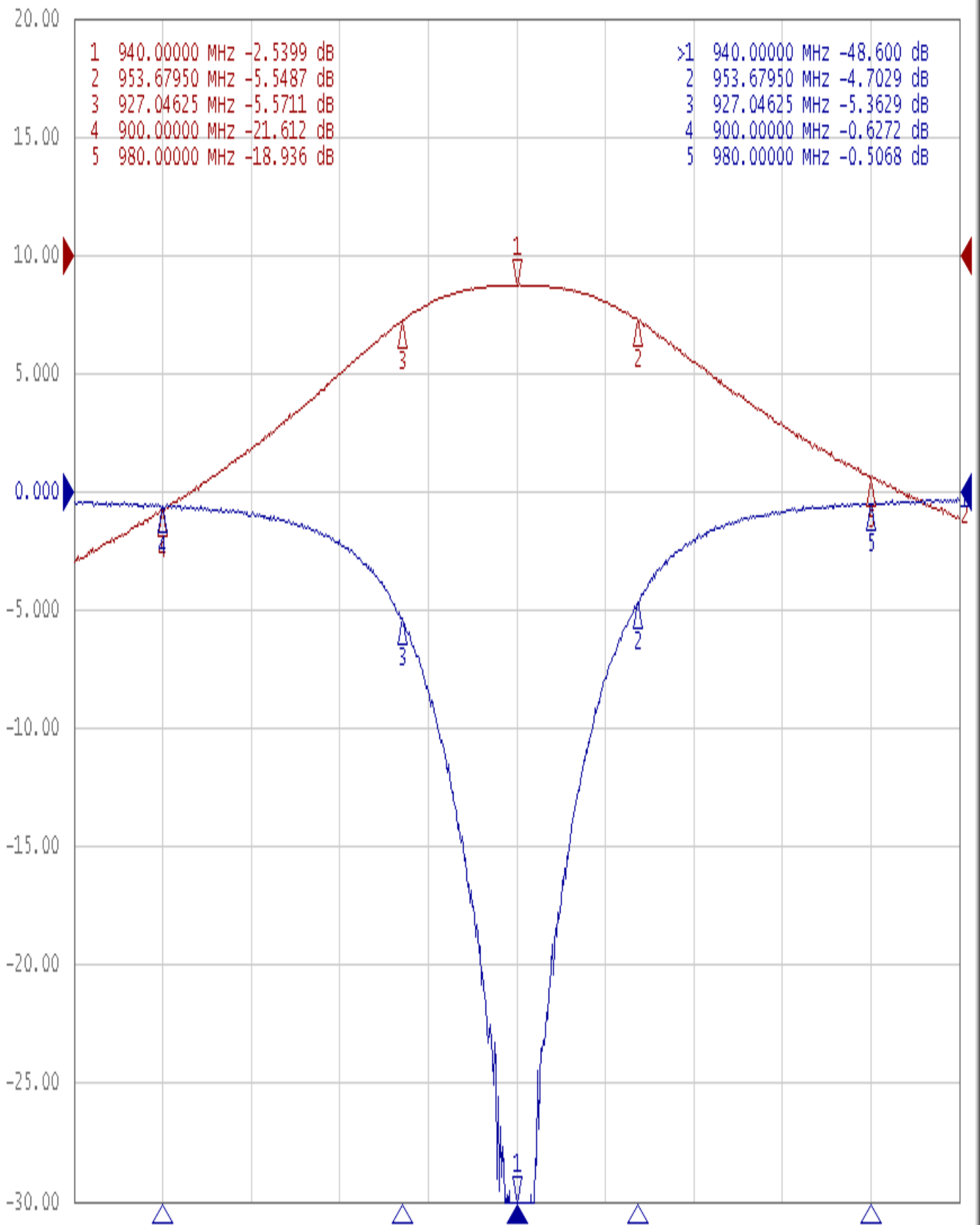
Approval	Supervisor	Designer	Aperture size
C.Y.Chang	C.K.Chang	P.H.Chiang	5W2S(3.8*3.5)(3.54) 5HW046RB3.2

TEMWELL CORPORATION

Performance-TDW2980B-940M

201408064BD

Tr1 S11 Log Mag 5.000dB/ Ref 0.000dB [F2]
Tr2 S21 Log Mag 10.000dB/ Ref 0.000dB [F2]



1 Center 940 MHz IFBW 70 kHz Span 100 MHz Cor !