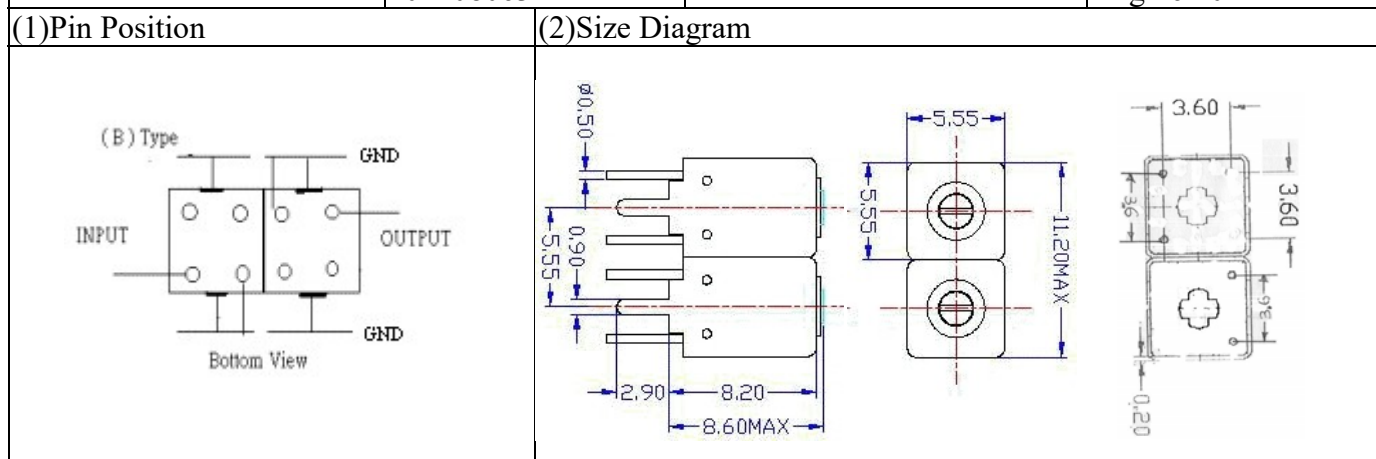


VHF UHF Helical Filter Specification Sheet

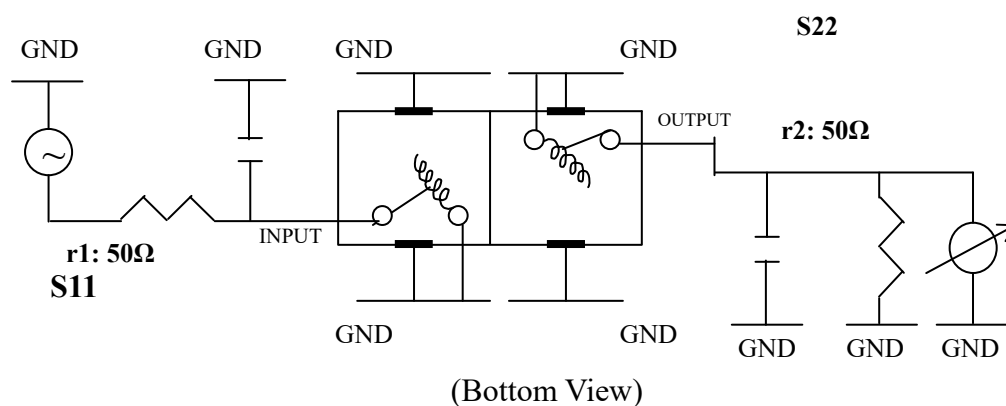
Customer Name		Temwell's Part No.	TDW2979B-800M
Approval No. /dated		Temwell's print Name.	2979B 800M
Work Instruction No.	201408063BD	Date	Aug.26.2014



(3) Electric Chararistic

Item		Specify	
Center Freq.(Fo) +/- 0.5 %		800	MHz
Insertion Loss		Typ. 4.0	dB
-3 dB Bandwidth		Typ. 20	MHz
Sensitivity (Attenuation)	Fo - 70 MHz	Typ. 20	dB
	Fo + 70 MHz	Typ. 15	dB
	Fo - ()MHz	Typ.	dBc
	Fo +()MHz	Typ.	dBc
Return Loss		Min. 12	dB
Ripple		< 1	dB
Impedance		In / Out : 50 Ω	
(4) Torque for Tuning Screw		> 60gf · cm	
(5) Temperature Condition:			
Operating Temperature		0°C ~ +60°C	
Storage Temperature		-20°C ~ +70°C	
(6) Input Power		> 0.5Watt	

(7) Measuring Circuit: ※Easy to match Impedance 50Ω by parallel with about (- -)

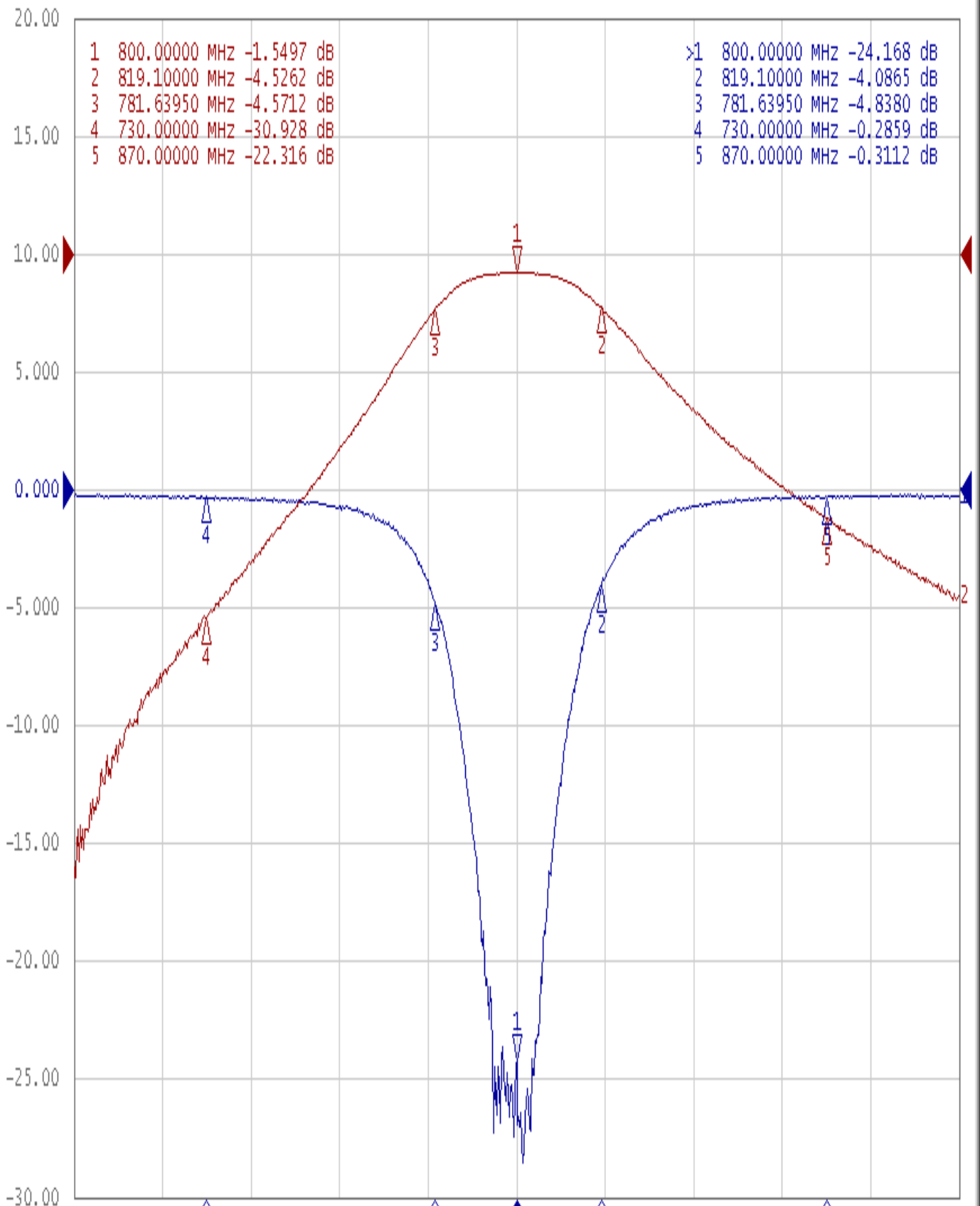


Approval	Supervisor	Designer	Aperture size
C.Y.Chang	C.K.Chang	P.H.Chiang	5W2S(3.8*4.5)(4.53) 5HW046RB3.2
TEMWELL CORPORATION			

Performance-TDW2979B-800M

201408063BD

Tr1 S11 Log Mag 5.000dB/ Ref 0.000dB [F2]
Tr2 S21 Log Mag 10.00dB/ Ref 0.000dB [F2]



1 Center 800 MHz

IFBW 70 kHz

Span 200 MHz Cor !