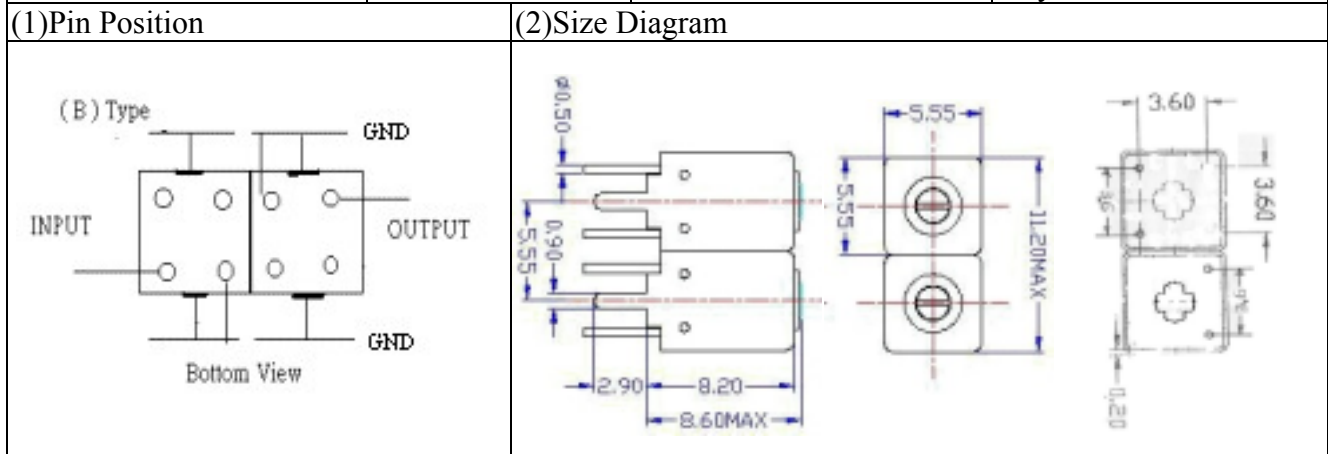


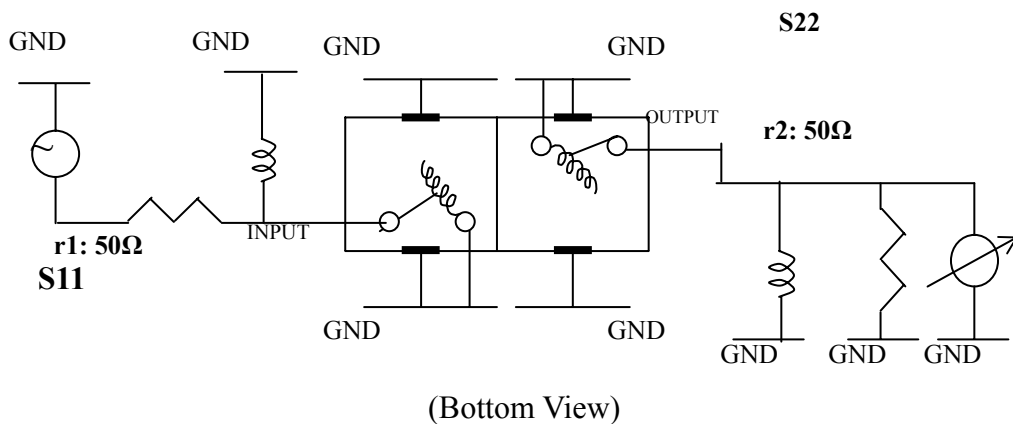
# VHF UHF Helical Filter Specification Sheet

Customer Name		Temwell's Part No.	TDW2925B-897.5M
Approval No. /dated	1005009APR	Temwell's print name.	2925B 897.5M
Work Instruction No.	201005009BD	Date	May.14.2010



(3) Electric Charasteric	
Item	Specify
Center Freq.(Fo ) +/- 0.5 %	897.5 MHz
Insertion Loss	Typ. 2.0 dB
-3 dB Bandwidth	Typ. 50 MHz
Sensitivity (Attenuation )	Fo - (100)MHz Typ. 20 dBc
	Fo +(100) MHz Typ. 15 dBc
	Fo - ( )MHz Typ. dBc
	Fo +( )MHz Typ. dBc
Return Loss	Min. 12 dB
Ripple	< 1 dB
Impedance	In / Out : 50 Ω
(4) Torque for Tuning Screw	> 60gf cm
(5) Temperature Condition:	
Operating Temperature	0 ~ +60
Storage Temperature	-20 ~ +70
(6) Input Power	> 0.5Watt

(7) Measuring Circuit: Easy to match Impedance 50Ω by parallel with about ( -- ).



Approval C.Y.Chang	Supervisor C.K.Chang	Designer P.H.Chiang	Aperture size 5W2S(3.8*4.0)(4.06) 5HW046RB4
-----------------------	-------------------------	------------------------	---

TEMWELL CORPORATION

# Performance-TDW2925B-897.5M

## 201005009BD

