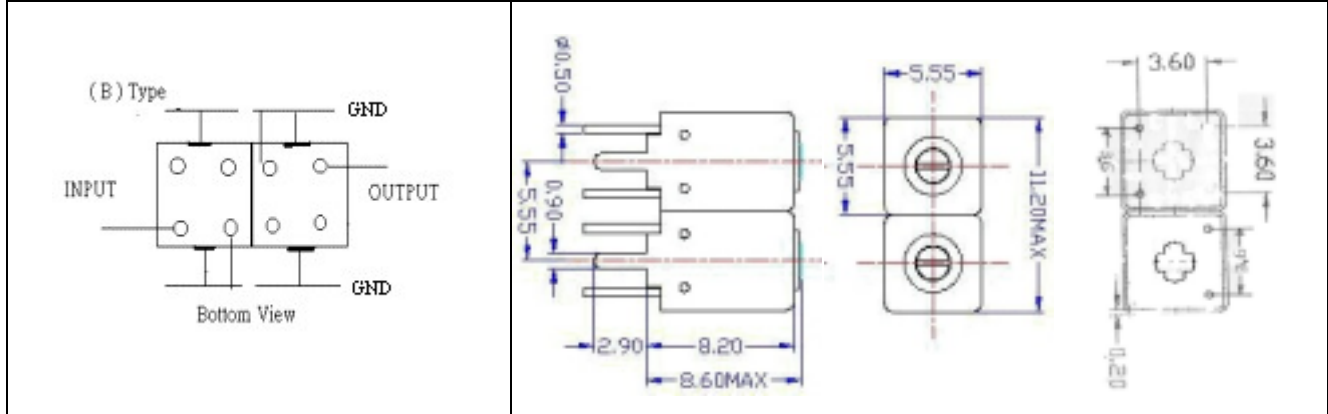


# VHF UHF Helical Filter Specification Sheet

Customer Name		Temwell's Part No.	TDW2701B-947.5M
Approval No. /dated	1005008APR	Temwell's print Name.	2701B 947.5M
Work Instruction No.	201005008BD	Date	May.14.2010

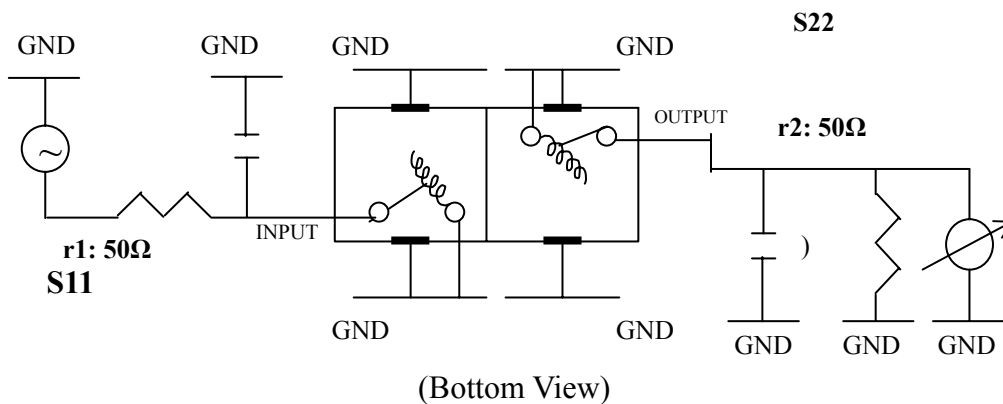
### (2)Size Diagram



### (3)Electric Charasteric

Item	Specify
Center Freq.(Fo ) +/- 0.5 %	947.5 MHz
Insertion Loss	Typ. 2.5 dB
-3 dB Bandwidth	Typ. 40 MHz
Sensitivity (Attenuation )	Fo - 100 MHz    Typ. 20 dBc
	Fo + 100 MHz    Typ. 15 dBc
	Fo - ( )MHz      Typ.    dBc
	Fo +( )MHz      Typ.    dBc
Return Loss	Min. 12 dB
Ripple	< 1 dB
Impedance	In / Out : 50 Ω
(4)Torque for Tuning Screw	> 60gf cm
(5)Temperature Condition:	
Operating Temperature	0 ~ +60
Storage Temperature	-20 ~ +70
(6)Input Power	> 0.5Watt

(7)Measuring Circuit: Easy to match Impedance 50Ω by parallel with about (---)/(---)



Approval C.Y.Chang	Supervisor C.K.Chang	Designer P.H.Chiang	Aperture size 5W2S(3.8*3.5)(3.53) 5HW046RB4
-----------------------	-------------------------	------------------------	---

TEMWELL CORPORATION

TEMWELL

Form10-5W2B Vision D

RP( PH )

# Performance-TDW2701B-947.5M

## 201005008BD

