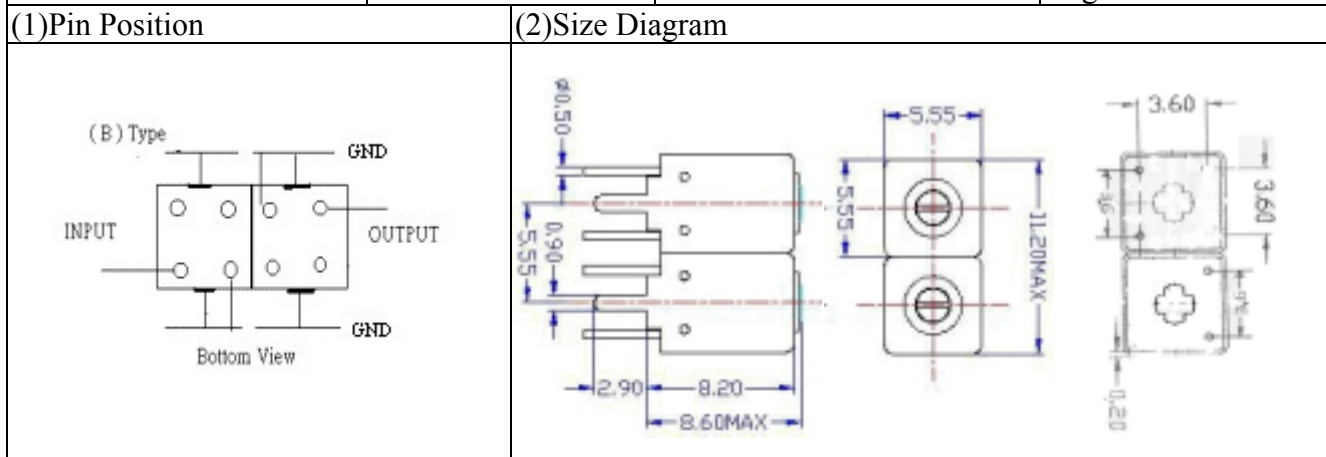


VHF UHF Helical Filter Specification Sheet

Customer Name		Temwell's Part No.	TDW2608B-2400M
Approval No. /dated	0807077C	Temwell's print Name.	2608B 2400M
Work Instruction No.	0807077C	Date	Aug.14.2008



(3)Electric Charasteric

Item	Specify
Center Freq.(Fo) +/- 0.5 %	2400 MHz
Tunable Range:	2400±5 MHz
Insertion Loss	Typ. 2.5 dB
-3 dB Bandwidth	Typ. 111 MHz
Sensitivity (Attenuation)	Fo - 200 MHz Typ. 19 dBc
	Fo + 200 MHz Typ. 13 dBc
	Fo - ()MHz Typ. dBc
	Fo +()MHz Typ. dBc
Return Loss	Min. 12 dB
Ripple	< 1 dB
Impedance	In / Out : 50 Ω

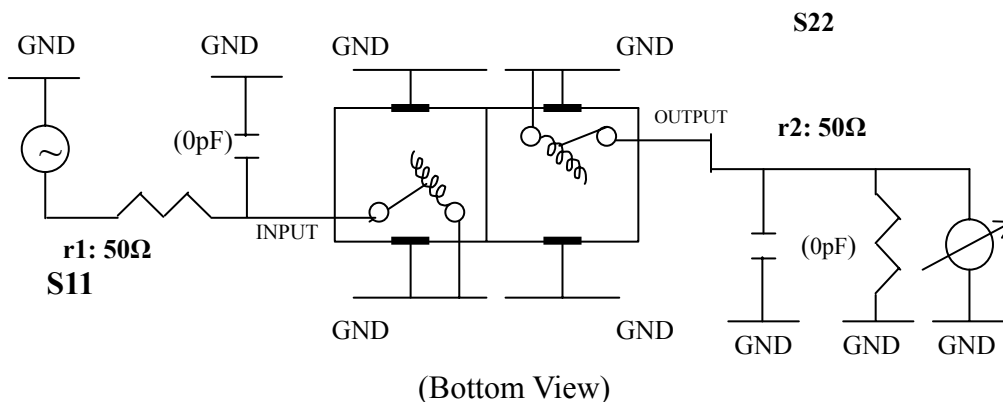
(4)Torque for Tuning Screw > 60gf cm

(5)Temperature Condition:

Operating Temperature	0 ~ +60
Storage Temperature	-20 ~ +70

(6)Input Power > 0.5Watt

(7)Measuring Circuit: Easy to match Impedance S11/S22 50Ω by parallel with about (0pF)/(0pF)



Approval	Supervisor	Designer	Aperture size
C.Y.Chang	C.S.Chang	Y.H.Yeh	5W2S(3.8*4.0) 5HW046RB3.2

TEMWELL CORPORATION

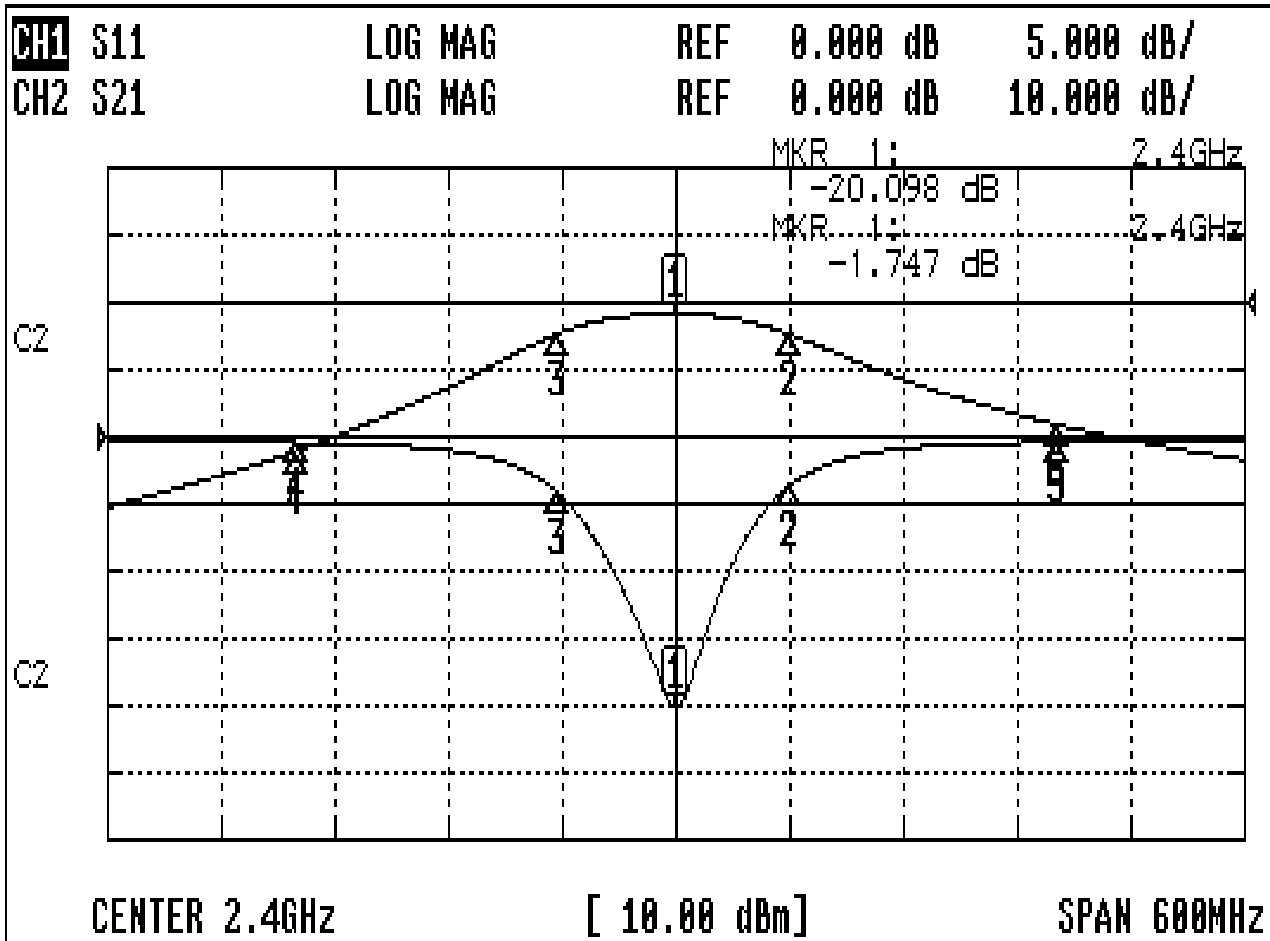
TEMWELL

Form10-5W2B Vision D

RP(Y.H.Yeh)

Performance-TDW2608B-2400M

0807077C



CH1 MARKER LIST

1:	2.400	000GHz	-20.098	dB
2:	2.460	000GHz	-3.671	dB
3:	2.337	000GHz	-4.052	dB
4:	2.200	000GHz	-0.440	dB
5:	2.600	000GHz	-0.398	dB
6:				
7:				
8:				
9:				
10:				

CH2 MARKER LIST

1:	2.400	000GHz	-1.747	dB
2:	2.460	000GHz	-4.744	dB
3:	2.337	000GHz	-4.789	dB
4:	2.200	000GHz	-22.071	dB
5:	2.600	000GHz	-18.083	dB
6:				
7:				
8:				
9:				
10:				