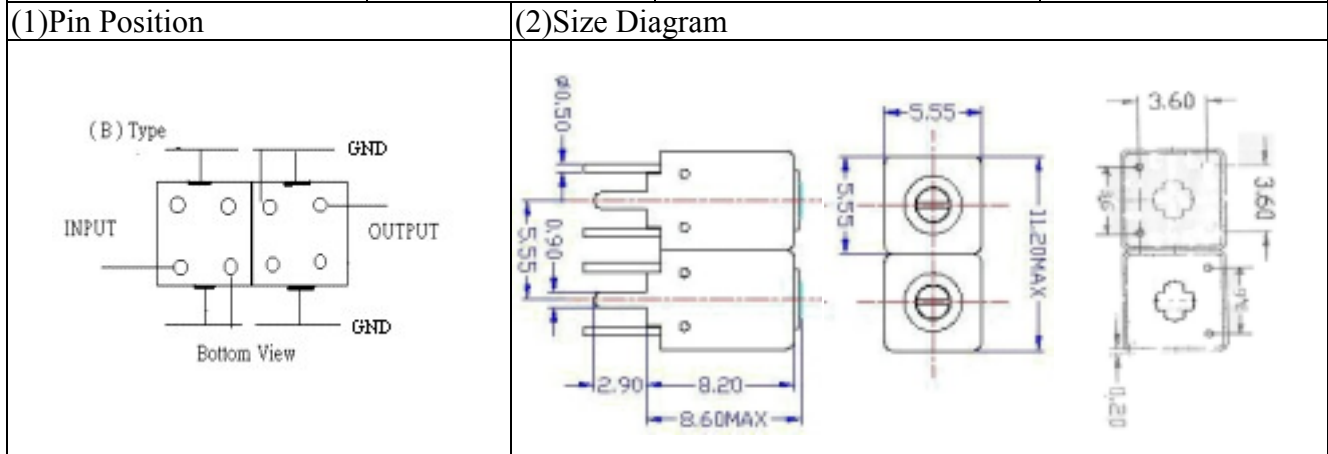


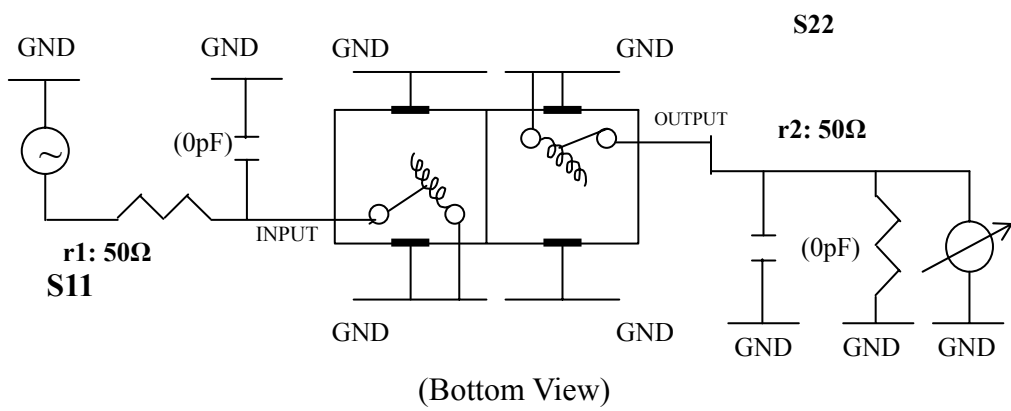
# VHF UHF Helical Filter Specification Sheet

Customer Name		Temwell's Part No.	TDW2552B-915M
Approval No. /dated	0712093APR	Temwell's print Name.	2552B 915M
Work Instruction No.	0712093CD	Date	Jan.2.2008



(3)Electric Charasteric	
Item	Specify
Center Freq.(Fo) +/- 0.5 %	915 MHz
Insertion Loss	Typ. 2.5 dB
-3 dB Bandwidth	Typ. 30 MHz
Sensitivity (Attenuation)	Fo - 100 MHz Typ. 34 dBc
	Fo + 100 MHz Typ. 22 dBc
	Fo - ( )MHz Typ. dBc
	Fo +( )MHz Typ. dBc
Return Loss	Min. 12 dB
Ripple	< 1 dB
Impedance	In / Out : 50 Ω
(4)Torque for Tuning Screw	> 60gf cm
(5)Temperature Condition:	
Operating Temperature	0 ~ +60
Storage Temperature	-20 ~ +70
(6)Input Power	>0.5Watt

(7)Measuring Circuit: Easy to match Impedance 50Ω by parallel with about (0pF)/(0pF)



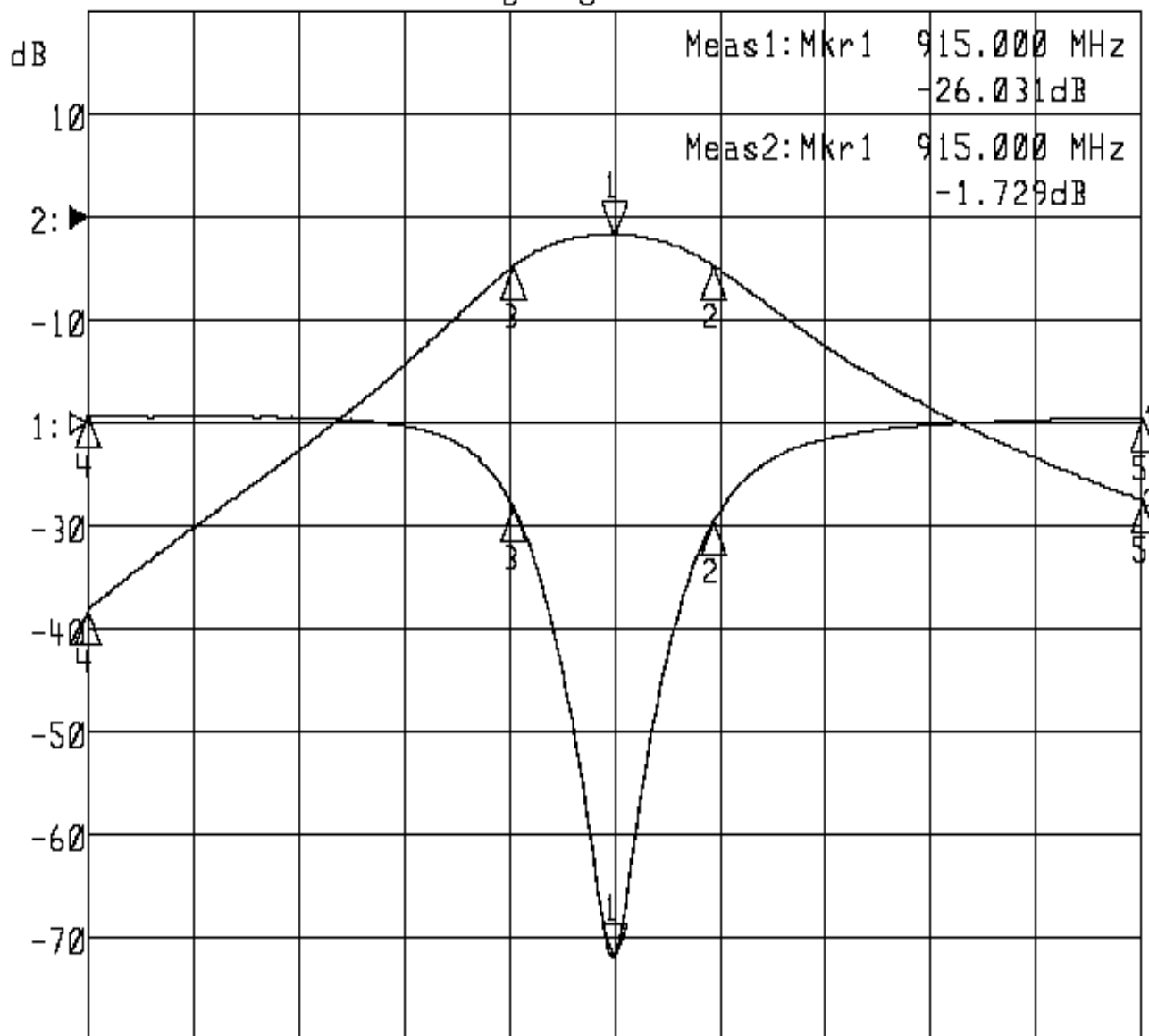
Approval C.Y.Chang	Supervisor C.S.Chang	Designer Y.H.Chuan	Aperture size 5W2(3.8*4.0)F 5HW024RB3
-----------------------	-------------------------	-----------------------	---

TEMWELL CORPORATION

# Performance-TDW2552B-915M

## 0712093CD

►1:S11 Refl Port1 Log Mag 5.0 dB/ Ref 0.00 dB C  
►2:S21 Fwd Trans Log Mag 10.0 dB/ Ref 0.00 dB C



Center 915.000 MHz

Span 200.000 MHz

1: Mkr (MHz)	dB	2: Mkr (MHz)	dB
1> 915.0000	-26.031	1> 915.0000	-1.729
2: 933.8000	-4.802	2: 933.8000	-4.707
3: 895.8667	-4.065	3: 895.8667	-4.737
4: 815.0000	0.355	4: 815.0000	-38.258
5: 1015.0000	0.276	5: 1015.0000	-27.498