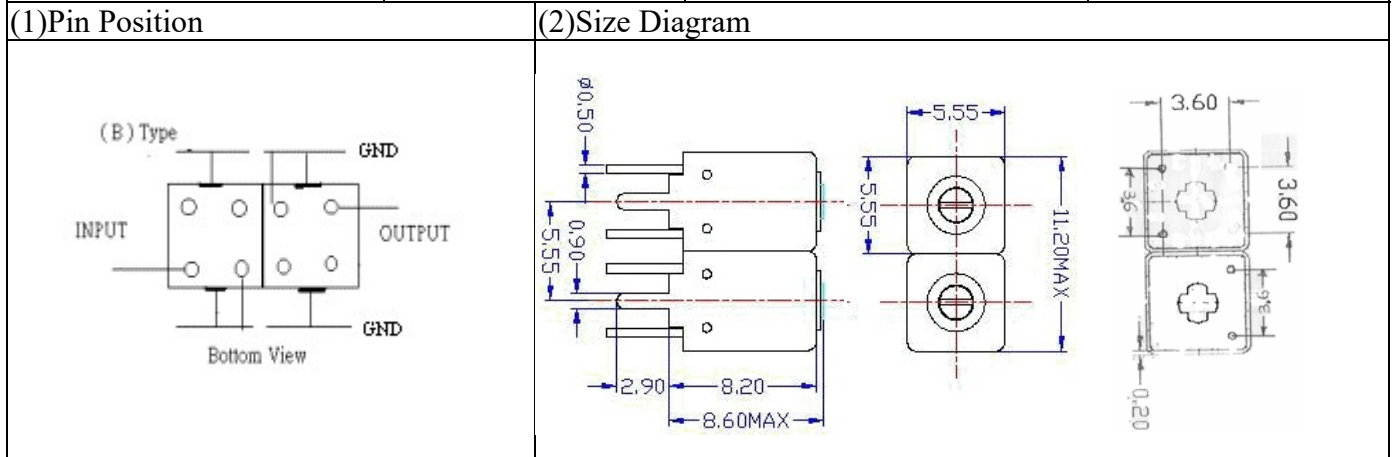


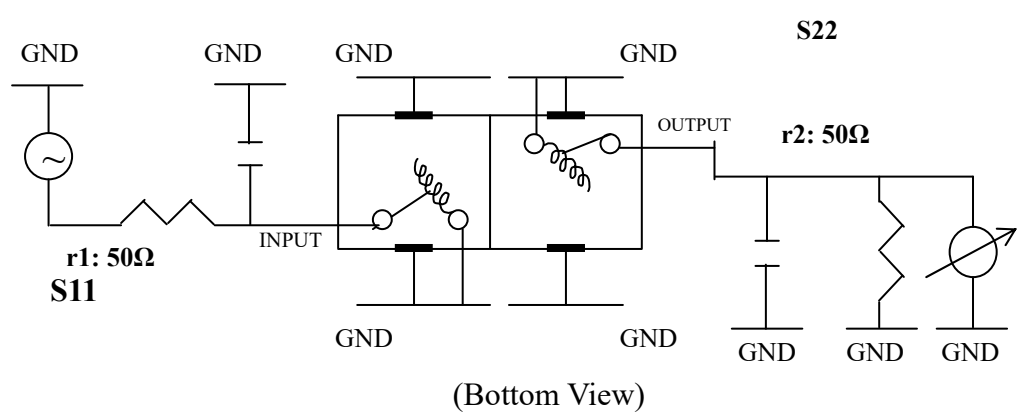
VHF UHF Helical Filter Specification Sheet

Customer Name		Temwell's Part No.	TDW2532B-868M
Approval No. /dated		Temwell's print Name.	2532B 868M
Work Instruction No.	201709076A	Date	Oct.19.2017



(3) Electric Characteristic	
Item	Specify
Center Freq.(Fo) +/- 0.5 %	868 MHz
Insertion Loss	Typ. 4.0 dB
-3 dB Bandwidth	Typ. 24 MHz
Sensitivity (Attenuation)	Fo - 50 MHz Typ. 16 dBc
	Fo + 50 MHz Typ. 12 dBc
	Fo - ()MHz Typ. Bc
	Fo +()MHz Typ. Bc
Return Loss	Min. 12 dB
Ripple	< 1 dB
Impedance	In / Out : 50 Ω
(4) Torque for Tuning Screw	
> 60gf · cm	
(5) Temperature Condition:	
Operating Temperature	0°C ~ +60°C
Storage Temperature	-20°C ~ +70°C
(6) Input Power	
> 0.5 Watt	

(7) Measuring Circuit: ※Easy to match Impedance 50Ω by parallel with about (- -)

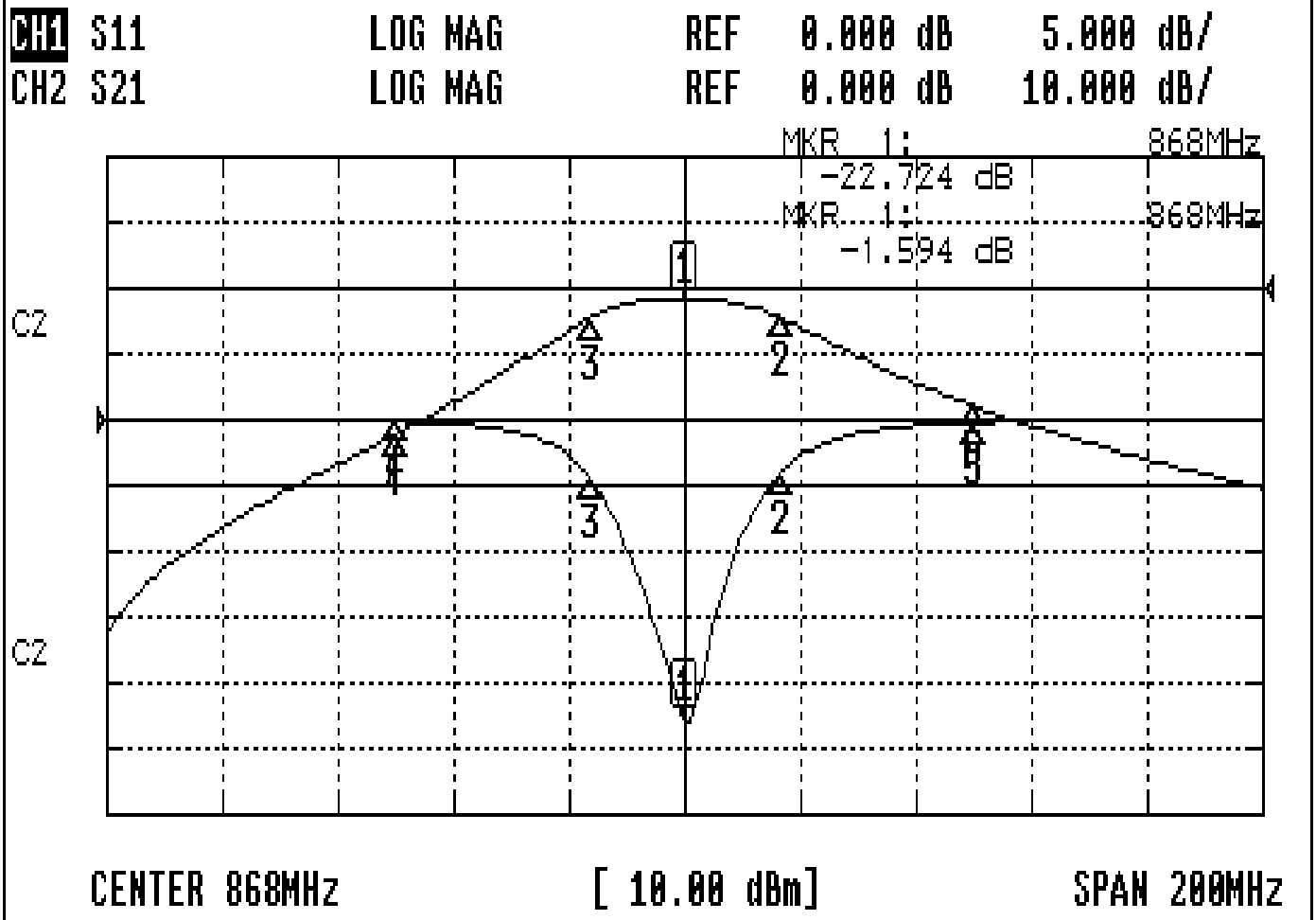


Approval	Supervisor	Designer	Aperture size
C.Y.Chang	C.K.Chang	M.Y.Kang	5W2S(3.8*4.0)(4.10) 5HW024RB3

TEMWELL CORPORATION

Performance-TDW2532B-868M

201709076A



CH1 MARKER LIST

1	868.000MHz	-22.724 dB
2	884.666MHz	-4.024 dB
3	851.500MHz	-4.336 dB
4	898.000MHz	-0.134 dB
5	918.000MHz	-0.192 dB

CH2 MARKER LIST

1	868.000MHz	-1.594 dB
2	884.666MHz	-4.524 dB
3	851.500MHz	-4.560 dB
4	898.000MHz	-22.140 dB
5	918.000MHz	-17.914 dB