



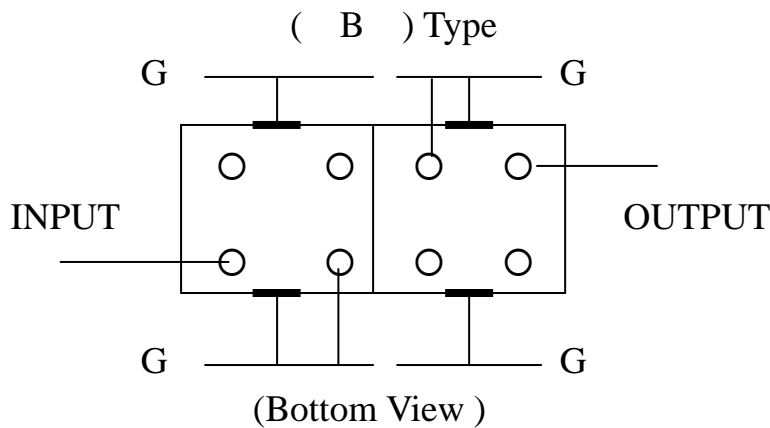
Custom Made UHF Filter & Duplexer

Helical Filter Specification Sheet

Issued Dated :

Customer Name		Temwell's Part No.	TDW2515B-864M
Approval No. /dated	20210074DC	Customer's Part No.	
Work Instruction No.	20210074DC	Date	Oct.29.2002
<input type="checkbox"/> Buyer Print name		<input type="checkbox"/> Temwell,s print name	
Case Name	5W2S	Case size :	
Terminator Type	B		

* Pin Position (Pin Connection) diagram as following



(3) Electric Charasteric

Item	Specify
Center Freq.(Fo) +/- 0.5 %	864 MHz
Insertion Loss	Typ. 4.0 dB
-3 dB Bandwidth	Typ. 17 MHz
Sensentivity (Attenuation)	Fo - 50 MHz Typ. 25 dBc
	Fo +50 MHz Typ. 21 dBc
	Fo - () MHz Typ. dBc
	Fo +() MHz Typ. dBc
Return Loss	Min. 12 dB
Ripple	< 1 dB
Impedance	In / Out : 50 Ω

4. Temperature Condition:

Operating Temperature	0 ~ +60
Storage Temperature	-20 ~ +70

Approval	Supervisor	Designer	Aperture size
			5W2S(3.8*3.5) 5HW046RB3..2

TEMWELL CORPORATION

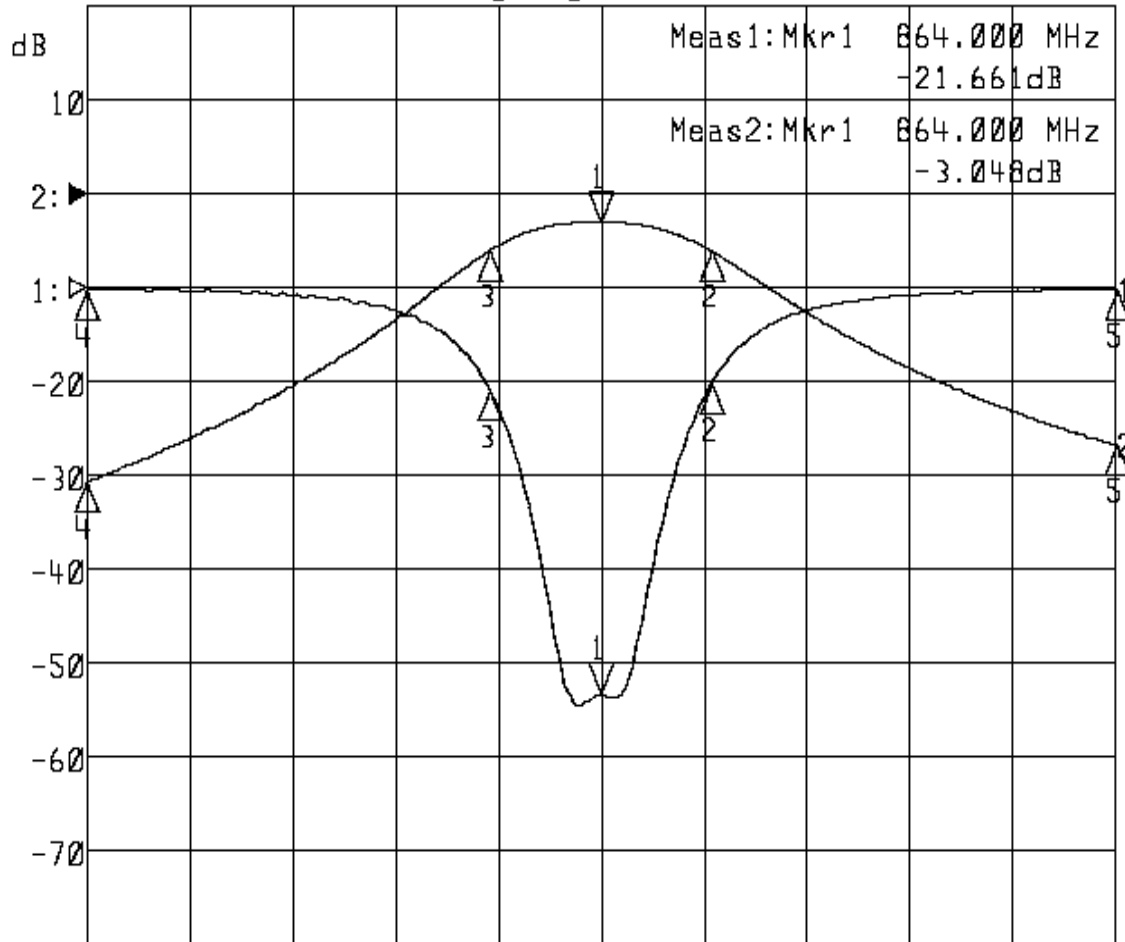
TEMWELL

Form - 5W3 Vision C

Performance-TDW2515B-864M

20210074DC

▷1: S11 Refl Port1 Log Mag 5.0 dB/ Ref 0.00 dB C
 ▼2: S21 Fwd Trans Log Mag 10.0 dB/ Ref 0.00 dB C



Center 864.000 MHz

Span 100.000 MHz

1: Mkr (MHz)	dB	2: Mkr (MHz)	dB
1> 864.0000	-21.661	1> 864.0000	-3.048
2: 874.7333	-5.099	2: 874.7333	-6.054
3: 853.2000	-5.458	3: 853.2000	-6.065
4: 814.0000	-0.120	4: 814.0000	-30.774
5: 914.0000	-0.085	5: 914.0000	-26.721