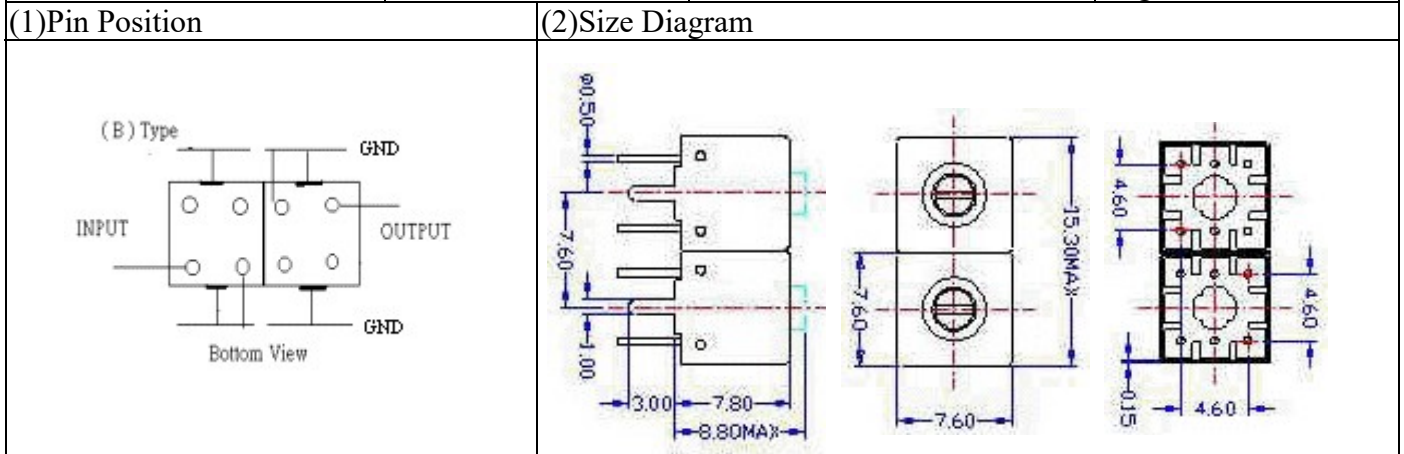


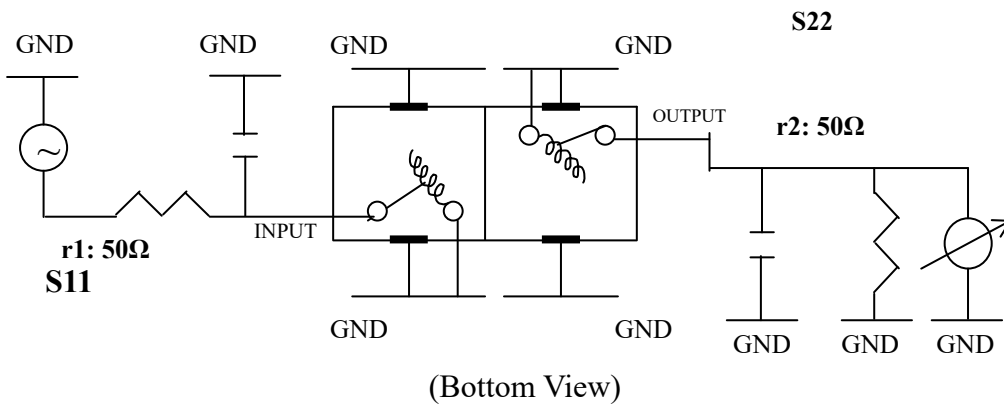
VHF UHF Helical Filter Specification Sheet

Customer Name		Temwell's Part No.	TDS2337B-200M
Approval No. /dated		Customer's Print name.	2337B 200M
Work Instruction No.	201408058BD	Date	Aug.26.2014



(3)Electric Charasteric	
Item	Specify
Center Freq.(Fo) +/- 0.5 %	200 MHz
Insertion Loss	Typ. 5.0 dB
-3 dB Bandwidth	Typ. 5 MHz
Sensitivity (Attenuation)	Fo - 20 MHz Typ. 25 dB
	Fo + 20 MHz Typ. 20 dB
	Fo - ()MHz Typ. dB
	Fo +()MHz Typ. dB
Return Loss	Min. 12 dB
Ripple	< 1 dB
Impedance	In / Out : 50 Ω
(4)Torque for Tuning Screw	> 60gf · cm
(5)Temperature Condition:	
Operating Temperature	0°C ~ +60°C
Storage Temperature	-20°C ~ +70°C
(6)Input Power	> 0.5Watt

(7)Measuring Circuit: ※Easy to match Impedance 50Ω by parallel with about (- -).



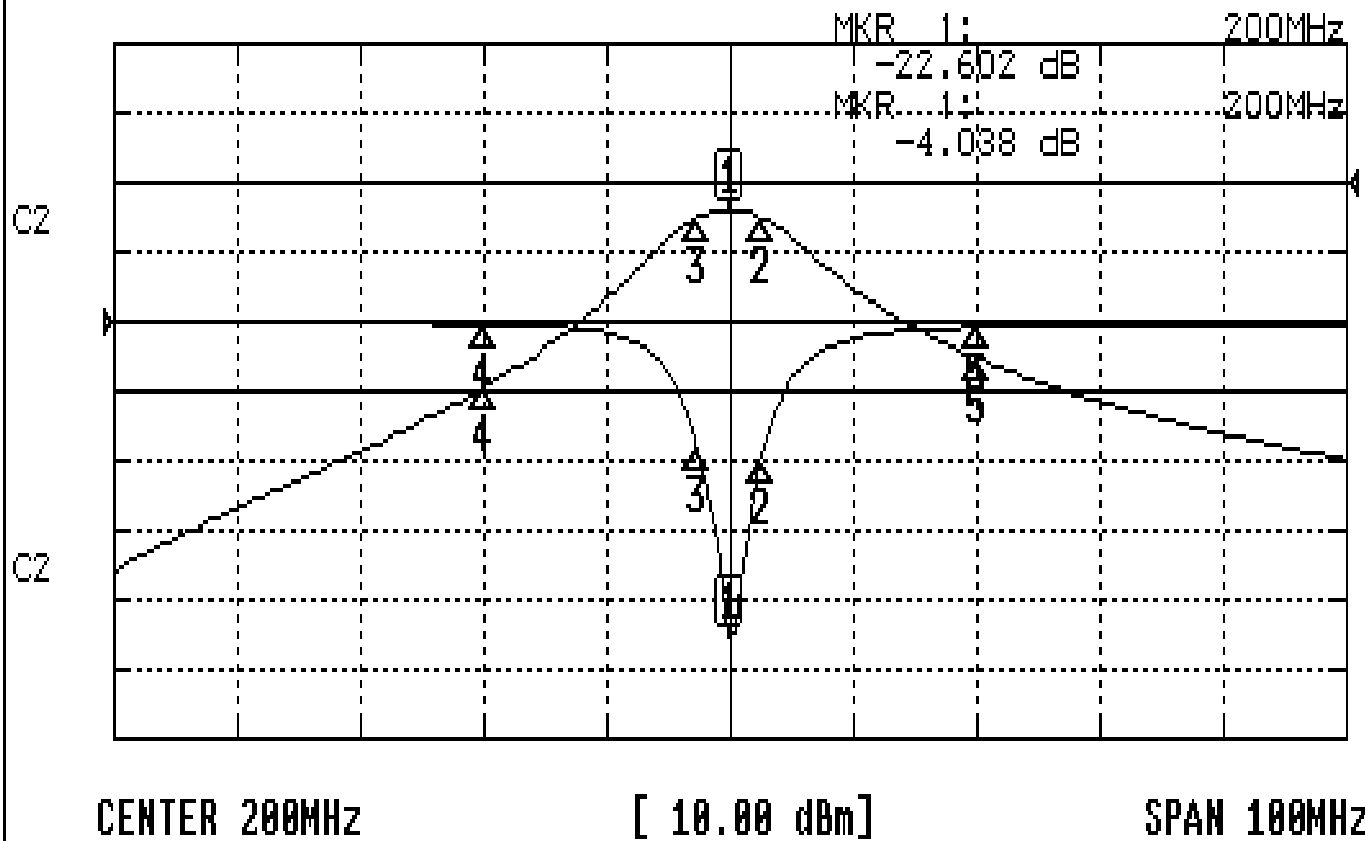
Approval	Supervisor	Designer	Aperture size
C.Y.Chang	C.K.Chang	M.Y.Knag	7S2S(4*3.3)(3.44) 7S00LB6 (J1)

TEMWELL CORPORATION

Performance-TDS2337B-200M

201408058BD

CH1 S11 LOG MAG REF 0.000 dB 5.000 dB/
CH2 S21 LOG MAG REF 0.000 dB 10.000 dB/



CH1 MARKER LIST

1:	200.000MHz	-22.602	dB
2:	202.583MHz	-9.993	dB
3:	197.416MHz	-9.014	dB
4:	180.000MHz	-0.194	dB
5:	220.000MHz	-0.396	dB
6:			
7:			
8:			
9:			
10:			

CH2 MARKER LIST

1:	200.000MHz	-4.040	dB
2:	202.583MHz	-15.076	dB
3:	197.416MHz	-15.048	dB
4:	180.000MHz	-29.447	dB
5:	220.000MHz	-25.208	dB
6:			
7:			
8:			
9:			
10:			