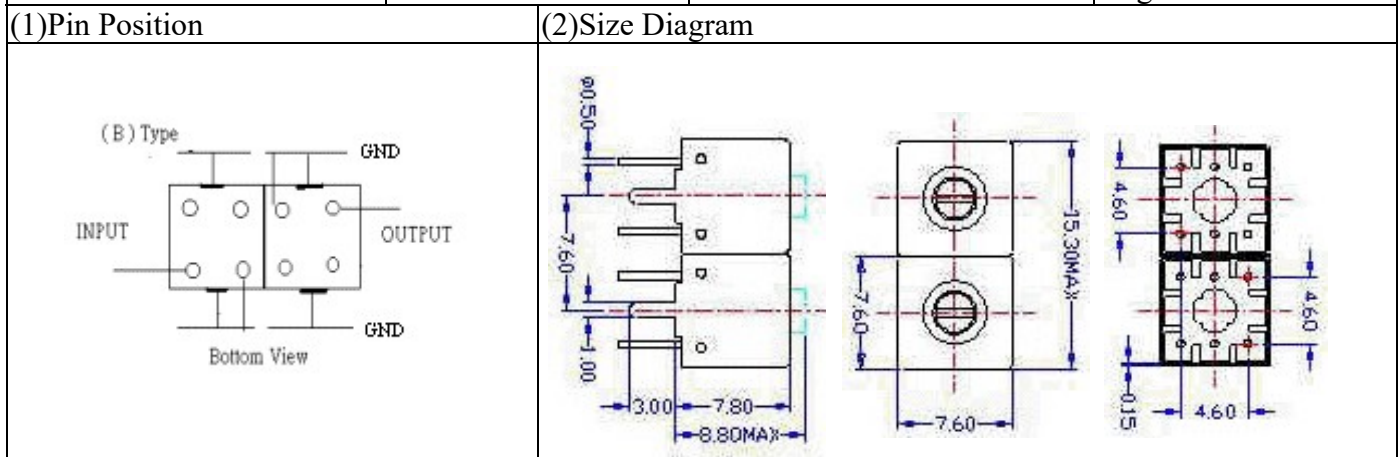


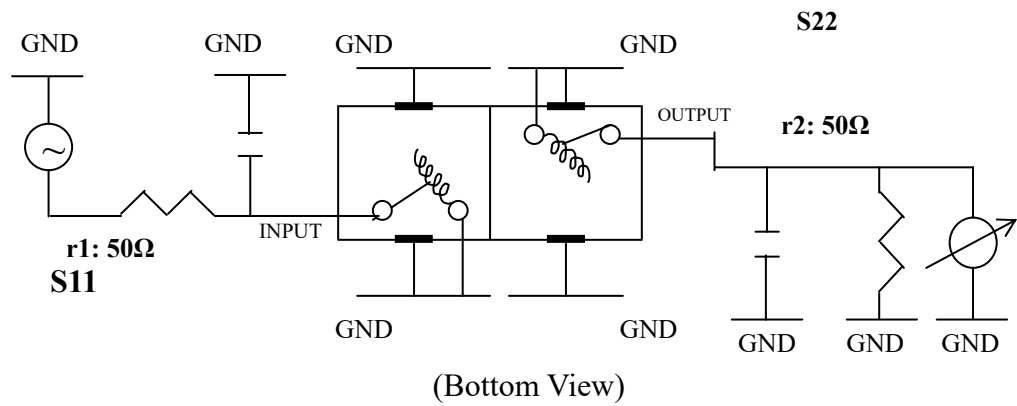
# VHF UHF Helical Filter Specification Sheet

Customer Name		Temwell's Part No.	TDS2336B-220M
Approval No. /dated		Customer's Print name.	2336B 220M
Work Instruction No.	201408057BD	Date	Aug.29.2014



(3)Electric Charasteric		Item	Specify
		Center Freq.(Fo) +/- 0.5 %	220 MHz
		Insertion Loss	Typ. 5.0 dB
		-3 dB Bandwidth	Typ. 5 MHz
Sensitivity (Attenuation)	Fo - 20 MHz	Typ. 30 dB	
	Fo + 20 MHz	Typ. 28 dB	
	Fo - ( )MHz	Typ. dB	
	Fo +( )MHz	Typ. dB	
		Return Loss	Min. 12 dB
		Ripple	< 1 dB
		Impedance	In / Out : 50 Ω
(4)Torque for Tuning Screw			> 60gf • cm
(5)Temperature Condition:			
Operating Temperature			0°C ~ +60°C
Storage Temperature			-20°C ~ +70°C
(6)Input Power			> 0.5Watt

(7)Measuring Circuit: ※Easy to match Impedance 50Ω by parallel with about (-).

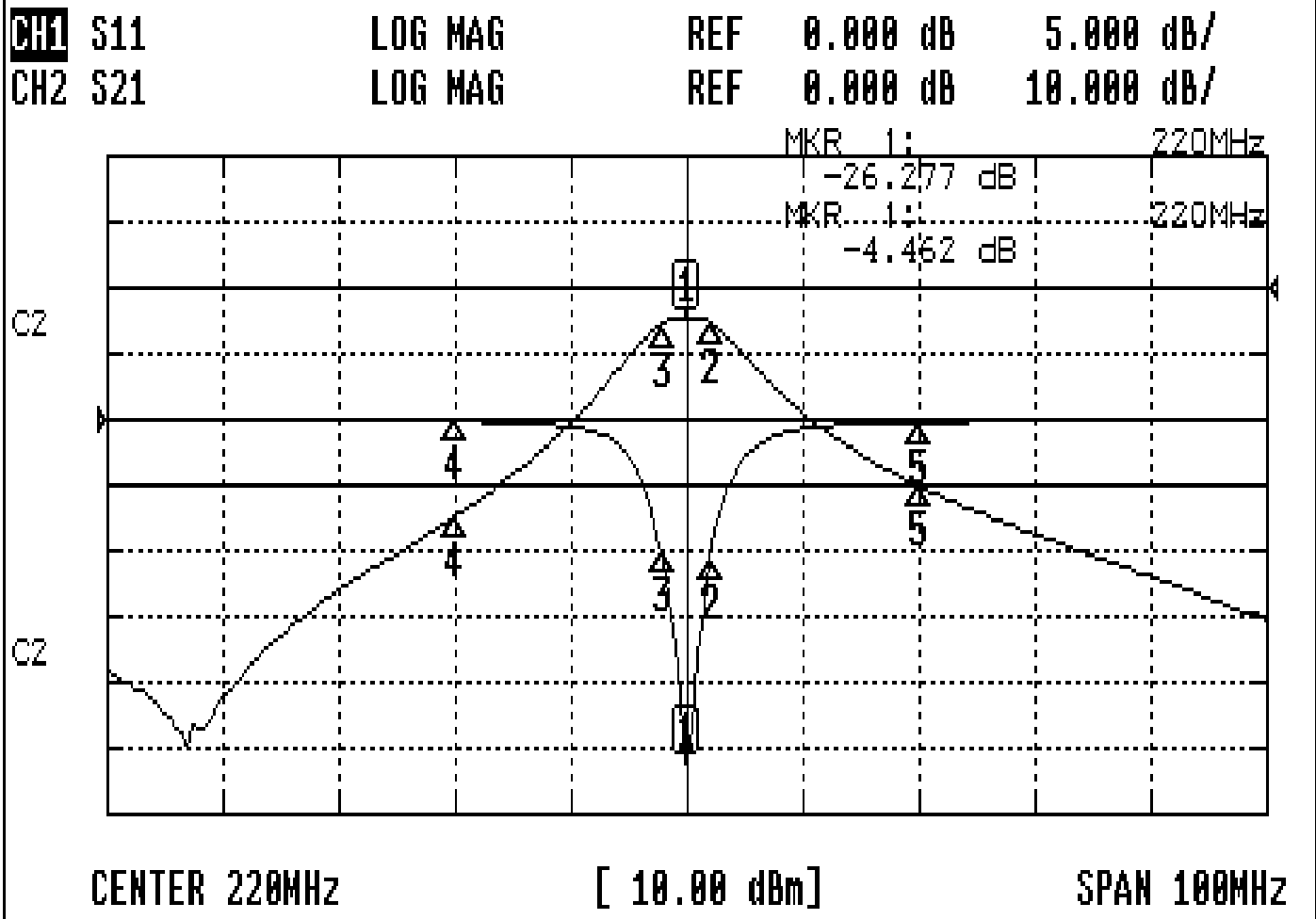


Approval C.Y.Chang	Supervisor C.K.Chang	Designer M.Y.Knag	Aperture size 7S2S(4*3.3)(3.44) 7S00LB6 (J1)
-----------------------	-------------------------	----------------------	--

TEMWELL CORPORATION

# Performance-TDS2336B-220M

## 201408057BD



### CH1 MARKER LIST

1:	220.000MHz	-26.281 dB
2:	222.083MHz	-10.536 dB
3:	217.833MHz	-10.224 dB
4:	200.000MHz	-0.113 dB
5:	240.000MHz	-0.198 dB

### CH2 MARKER LIST

1:	220.000MHz	-4.462 dB
2:	222.083MHz	-4.463 dB
3:	217.833MHz	-4.499 dB
4:	200.000MHz	-34.649 dB
5:	240.000MHz	-30.102 dB