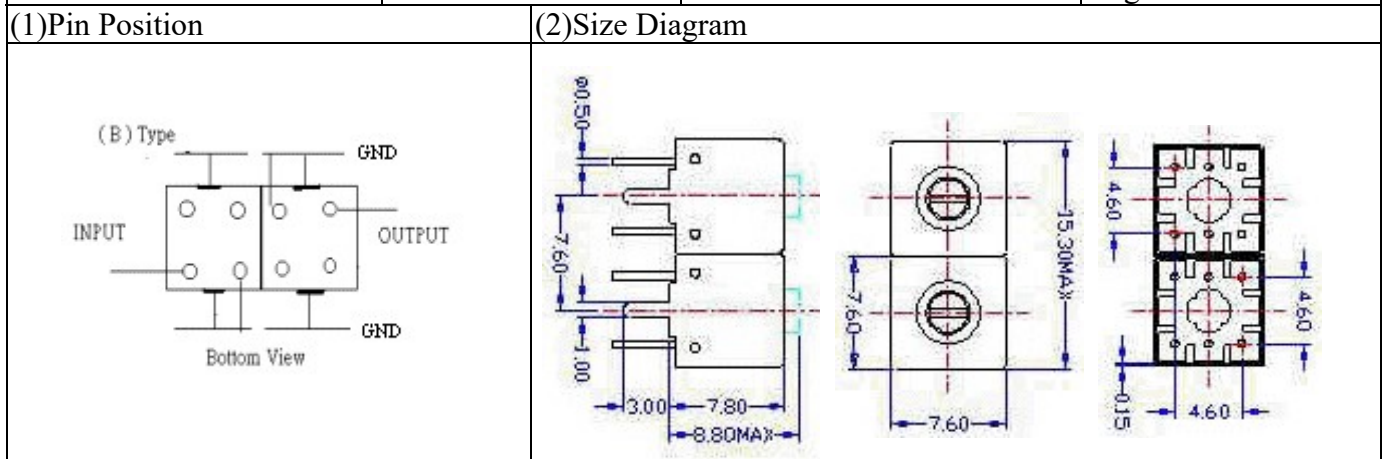


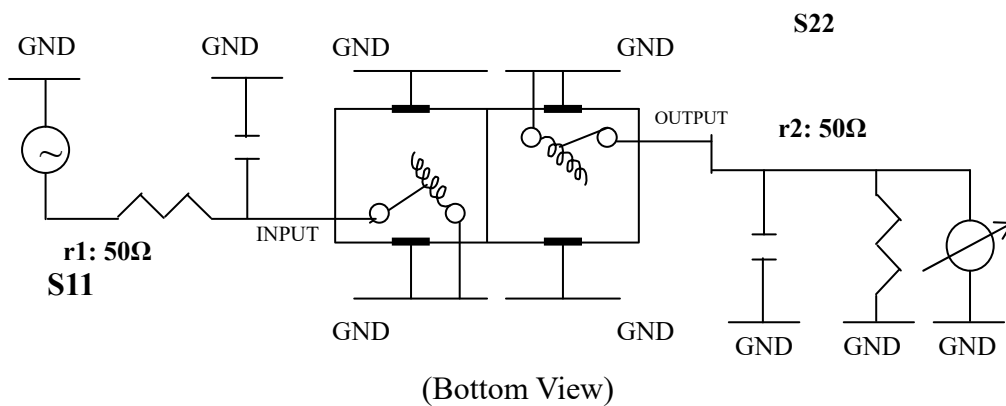
# VHF UHF Helical Filter Specification Sheet

Customer Name		Temwell's Part No.	TDS2335B-240M
Approval No. /dated		Customer's Print name.	2335B 240M
Work Instruction No.	201408056BD	Date	Aug.27.2014



(3) Electric Characteristic		Item	Specify
Center Freq.(Fo) +/- 0.5 %			240 MHz
Insertion Loss		Typ.	6.0 dB
-3 dB Bandwidth		Typ.	5 MHz
Sensitivity (Attenuation)	Fo - 50 MHz	Typ.	40 dB
	Fo + 50 MHz	Typ.	40 dB
	Fo - ( )MHz	Typ.	dB
	Fo +( )MHz	Typ.	dB
Return Loss		Min.	12 dB
Ripple			< 1 dB
Impedance			In / Out : 50 Ω
(4) Torque for Tuning Screw			> 60gf · cm
(5) Temperature Condition:			
Operating Temperature			0°C ~ +60°C
Storage Temperature			-20°C ~ +70°C
(6) Input Power			> 0.5Watt

(7) Measuring Circuit: ※Easy to match Impedance 50Ω by parallel with about (- -).



Approval	Supervisor	Designer	Aperture size
C.Y.Chang	C.K.Chang	M.Y.Knag	7S2S(4*3.3)(3.45) 7S024RB6 (J1)

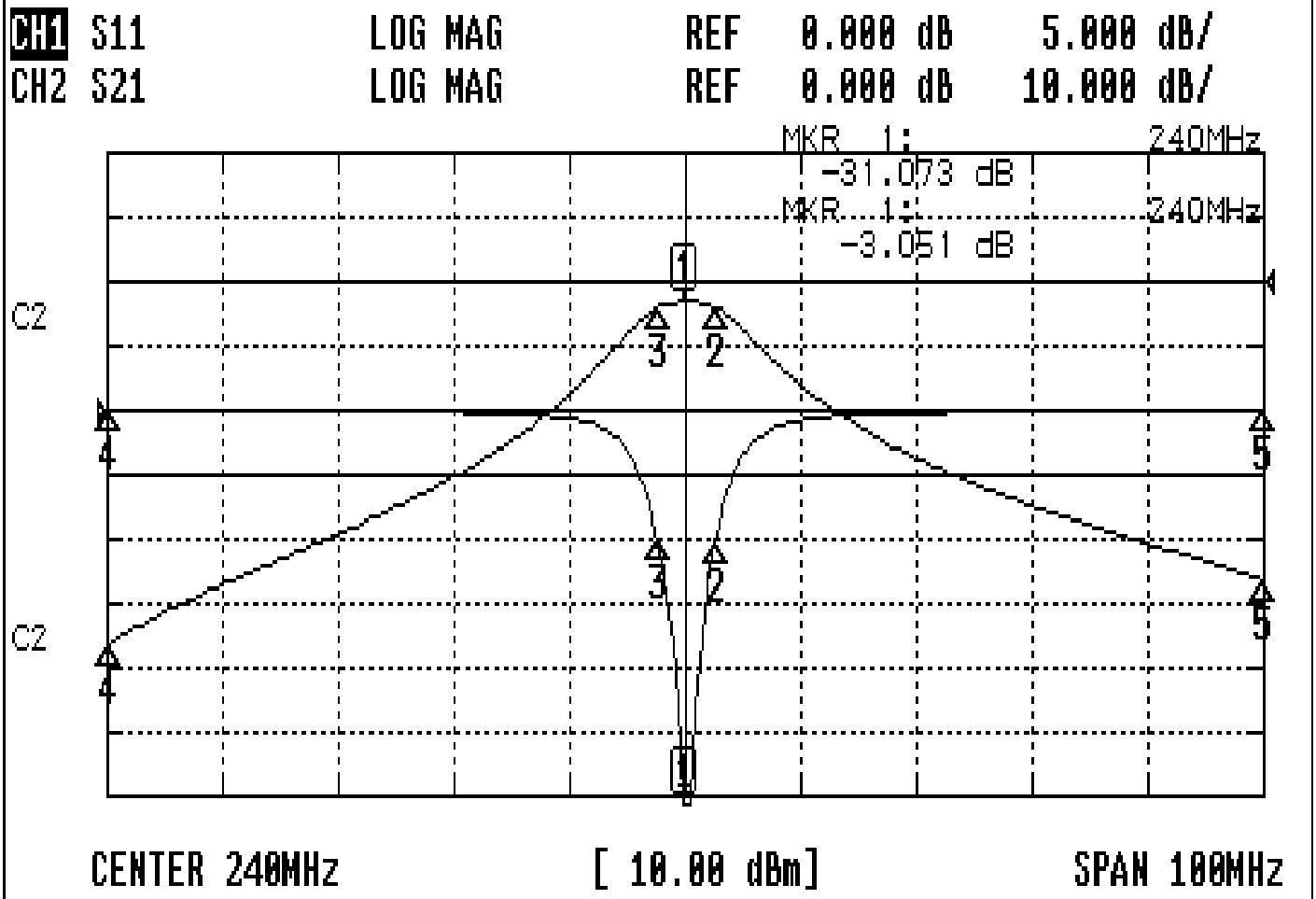
TEMWELL CORPORATION

TEMWELL

Form10-7S2B Vision D RP ( M.Y)

# Performance-TDS2335B-240M

## 201408056BD



### CH1 MARKER LIST

Marker	Frequency (MHz)	Magnitude (dB)
1	240.000	-31.016
2	242.666	-10.218
3	237.666	-10.102
4	190.000	-0.044
5	290.000	-0.047

### CH2 MARKER LIST

Marker	Frequency (MHz)	Magnitude (dB)
1	240.000	-3.051
2	242.666	-4.042
3	237.666	-4.063
4	190.000	-56.160
5	290.000	-46.239