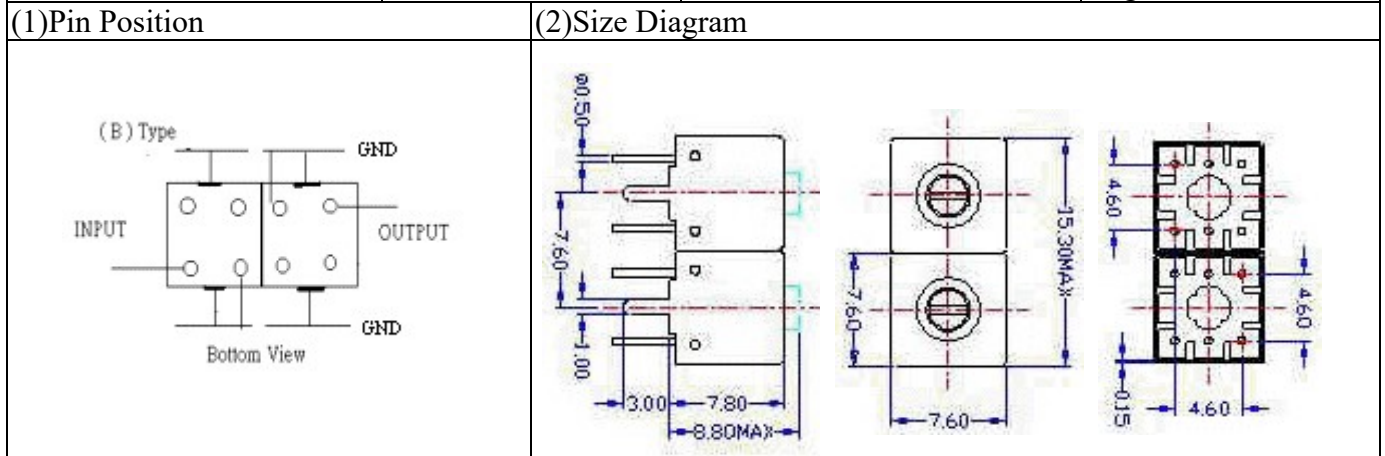


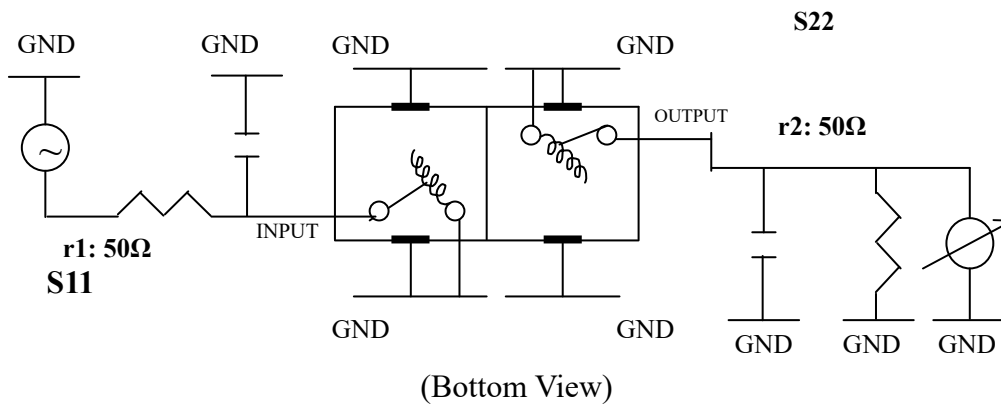
VHF UHF Helical Filter Specification Sheet

Customer Name		Temwell's Part No.	TDS2334B-180M
Approval No. /dated		Customer's Print name.	2334B 180M
Work Instruction No.	201408055BD	Date	Aug.26.2014



(3) Electric Characteristic		Item	Specify
		Center Freq.(Fo) +/- 0.5 %	180 MHz
		Insertion Loss	Typ. 5.0 dB
		-3 dB Bandwidth	Typ. 4 MHz
Sensitivity (Attenuation)	Fo - 40 MHz	Typ. 35 dB	
	Fo + 40 MHz	Typ. 35 dB	
	Fo - ()MHz	Typ. dB	
	Fo + ()MHz	Typ. dB	
		Return Loss	Min. 12 dB
		Ripple	< 1 dB
		Impedance	In / Out : 50 Ω
(4) Torque for Tuning Screw		> 60gf · cm	
(5) Temperature Condition:			
Operating Temperature		0°C ~ +60°C	
Storage Temperature		-20°C ~ +70°C	
(6) Input Power		> 0.5Watt	

(7) Measuring Circuit: ※Easy to match Impedance 50Ω by parallel with about (- -).



Approval	Supervisor	Designer	Aperture size
C.Y.Chang	C.K.Chang	M.Y.Knag	7S2S(4*3.3)(3.44) 7S00LB6 (J1)

TEMWELL CORPORATION

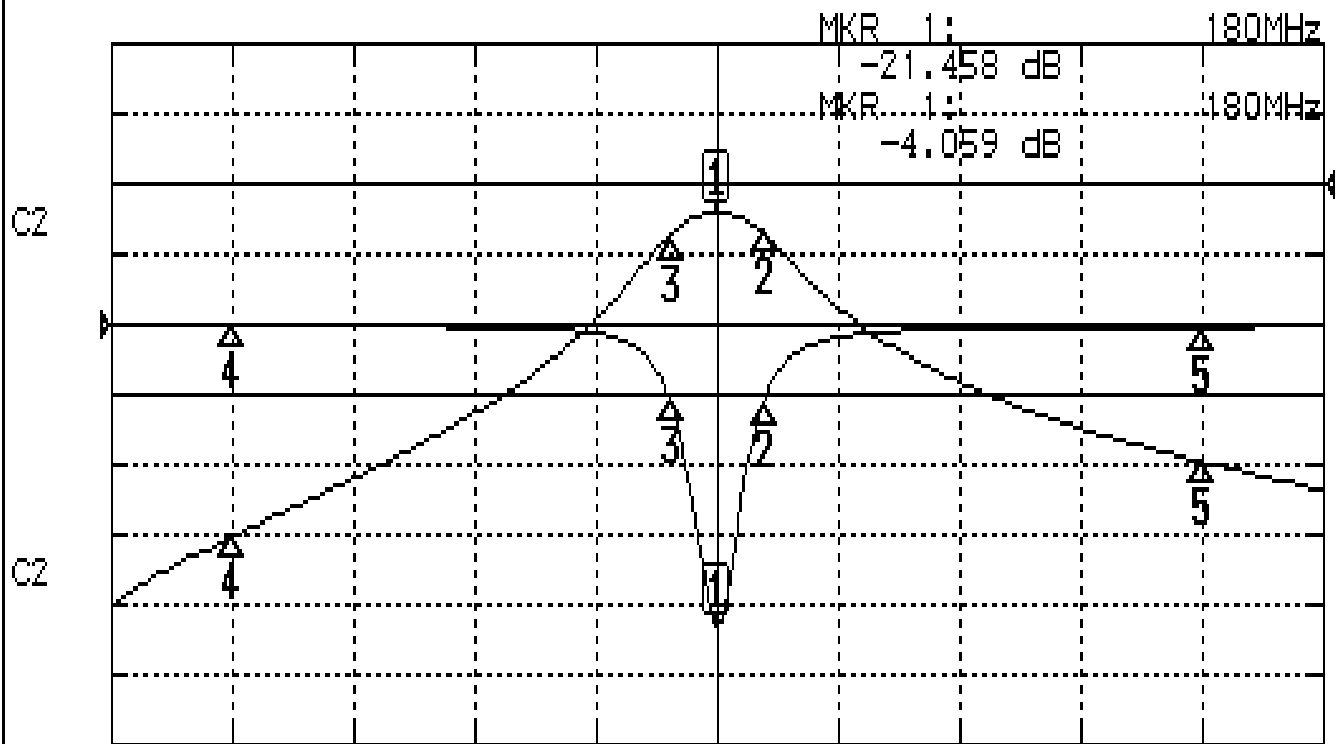
TEMWELL

Form10-7S2B Vision D RP (M.Y)

Performance-TDS2334B-180M

201408055BD

CH1 S11 LOG MAG REF 0.000 dB 5.000 dB/
CH2 S21 LOG MAG REF 0.000 dB 10.000 dB/



CENTER 180MHz

[10.00 dBm]

SPAN 100MHz

CH1 MARKER LIST

1	180.000MHz	-21.463 dB
2	183.916MHz	-15.442 dB
3	176.166MHz	-15.411 dB
4	140.000MHz	-0.090 dB
5	220.000MHz	-0.158 dB

CH2 MARKER LIST

1	180.000MHz	-4.059 dB
2	183.916MHz	-7.085 dB
3	176.166MHz	-7.097 dB
4	140.000MHz	-50.300 dB
5	220.000MHz	-39.620 dB