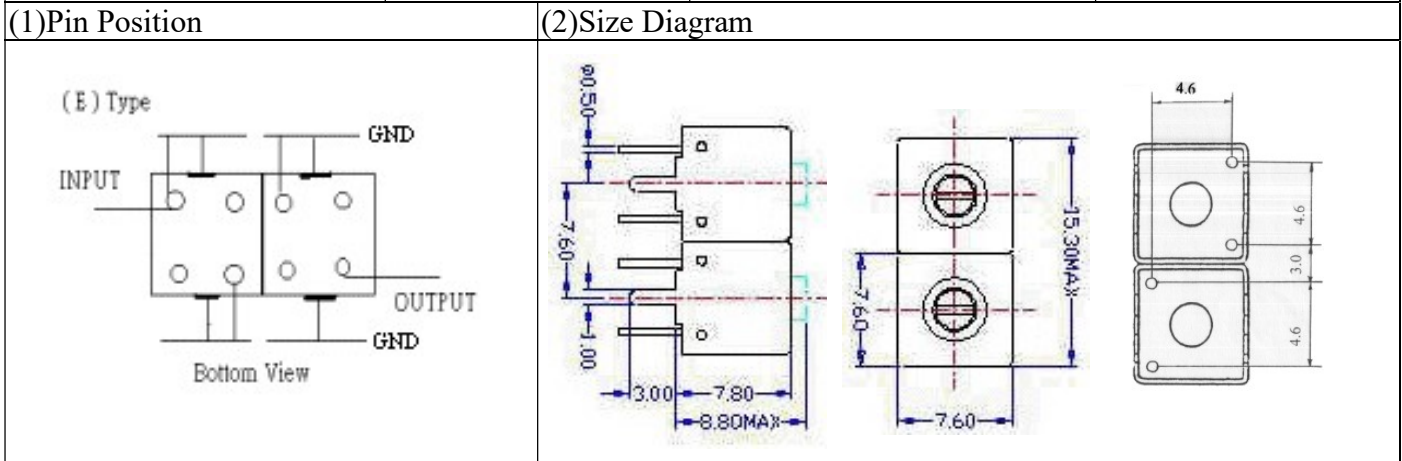


VHF UHF Helical Filter Specification Sheet

Customer Name		Temwell's Part No.	TDS2323E-892.5M
Approval No. /dated		Temwell's Print Name	2323E 892.5M
Work Instruction No.	201209037CD	Date	Sep.05.2012



(3) Electric Characteristic

Item	Specify
Center Freq.(Fo) +/- 0.75 %	892.5 MHz
Insertion Loss	Typ 2.5 dB
-1 dB Bandwidth	Typ. 25 MHz
Sensitivity (Attenuation)	Fo - 100 MHz Typ. 15 dB
	Fo + 100 MHz Typ. 25 dB
	Fo - ()MHz Typ. dBc
	Fo +()MHz Typ. dBc
Return Loss	Min. 12 dB
Ripple	< 1 dB
Impedance	In / Out : 50 Ω

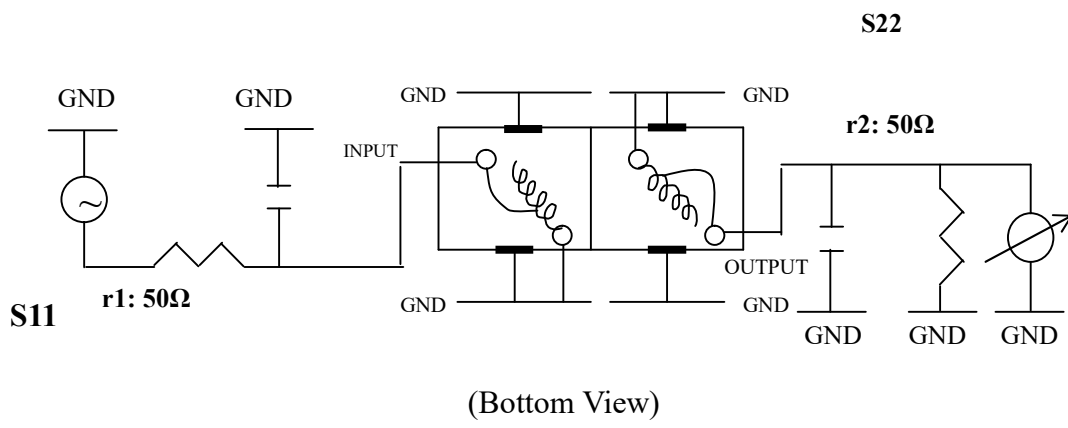
(4) Torque for Tuning Screw > 60gf · cm

(5) Temperature Condition:

Operating Temperature	-20°C ~ +70°C
Storage Temperature	-30°C ~ +80°C

(6) Input Power > 0.5Watt

(7) Measuring Circuit: ※Easy to match Impedance 50Ω by parallel with about (--) .

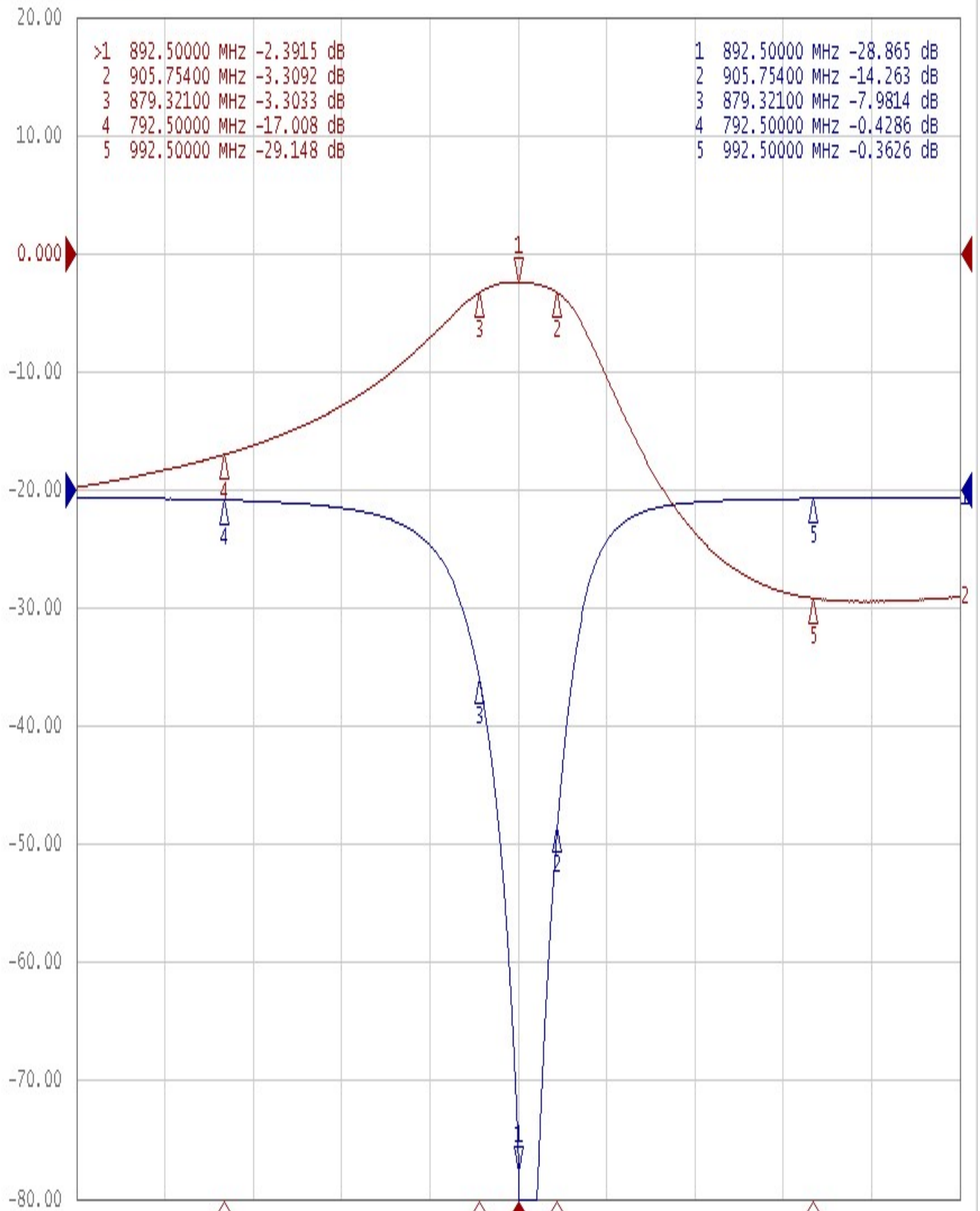


Approval C.Y.Chang	Supervisor C.K.Chang	Designer P.H.Chiang	Aperture size 7S2S(4*4.3)(4.37) 7S046LB6 -J1
-----------------------	-------------------------	------------------------	--

Performance-TDS2323E-892.5M

201209037CD

Tr1 S11 Log Mag 5.000dB/ Ref 0.000dB [F2]
▶ Tr2 S21 Log Mag 10.00dB/ Ref 0.000dB [F2]



1 Center 892.5 MHz

IFBW 70 kHz

Span 300 MHz Cor |