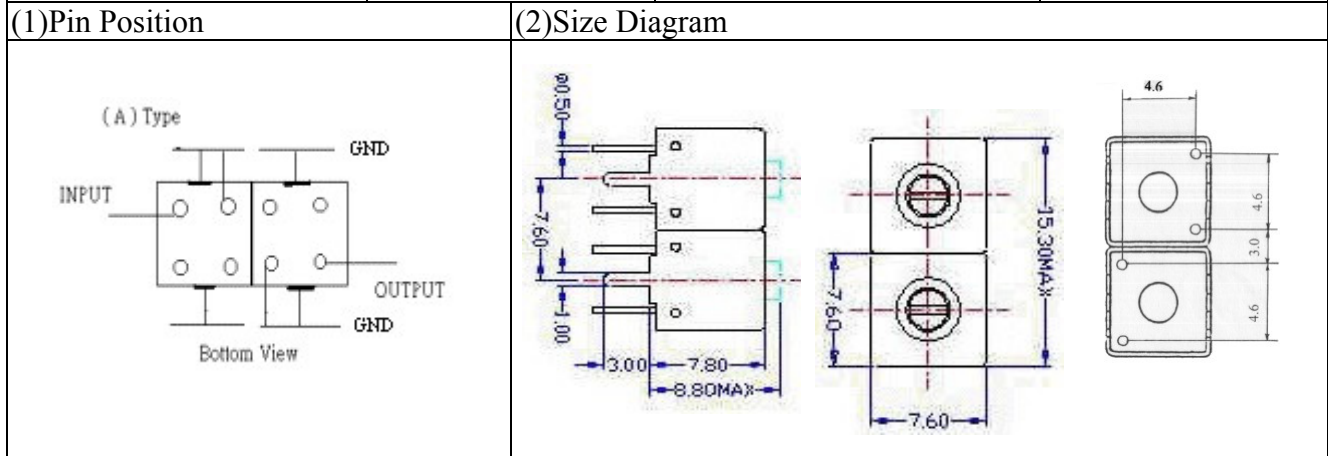
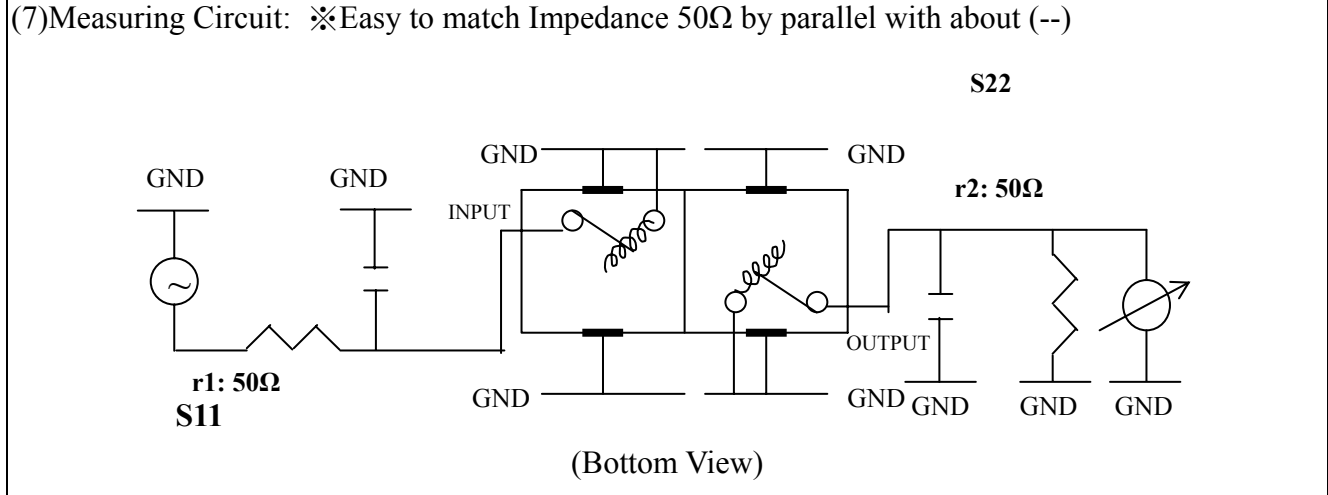


# VHF UHF Helical Filter Specification Sheet

Customer Name		Temwell's Part No.	TDS2322A-881.5M
Approval No. /dated		Temwell's Print Name	2322A 881.5M
Work Instruction No.	201112091C	Date	Dec.28.2011



(3) Electric Characteristic		Item	Specify
		Center Freq.(Fo) +/- 0.5 %	881.5 MHz
		Insertion Loss	Typ. 2.5 dB
		-3 dB Bandwidth	Typ. 40 MHz
Sensitivity (Attenuation)	Fo - 100 MHz	Typ.	25 dB
	Fo + 100 MHz	Typ.	18 dB
	Fo - ( )MHz	Typ.	dB
	Fo +( )MHz	Typ.	dB
		Return Loss	Min. 12 dB
		Ripple	< 1 dB
		Impedance	In / Out : 50 Ω
		(4) Torque for Tuning Screw	> 60gf · cm
		(5) Temperature Condition:	
		Operating Temperature	0°C ~ +60°C
		Storage Temperature	-20°C ~ +70°C
		(6) Input Power	> 1Watt

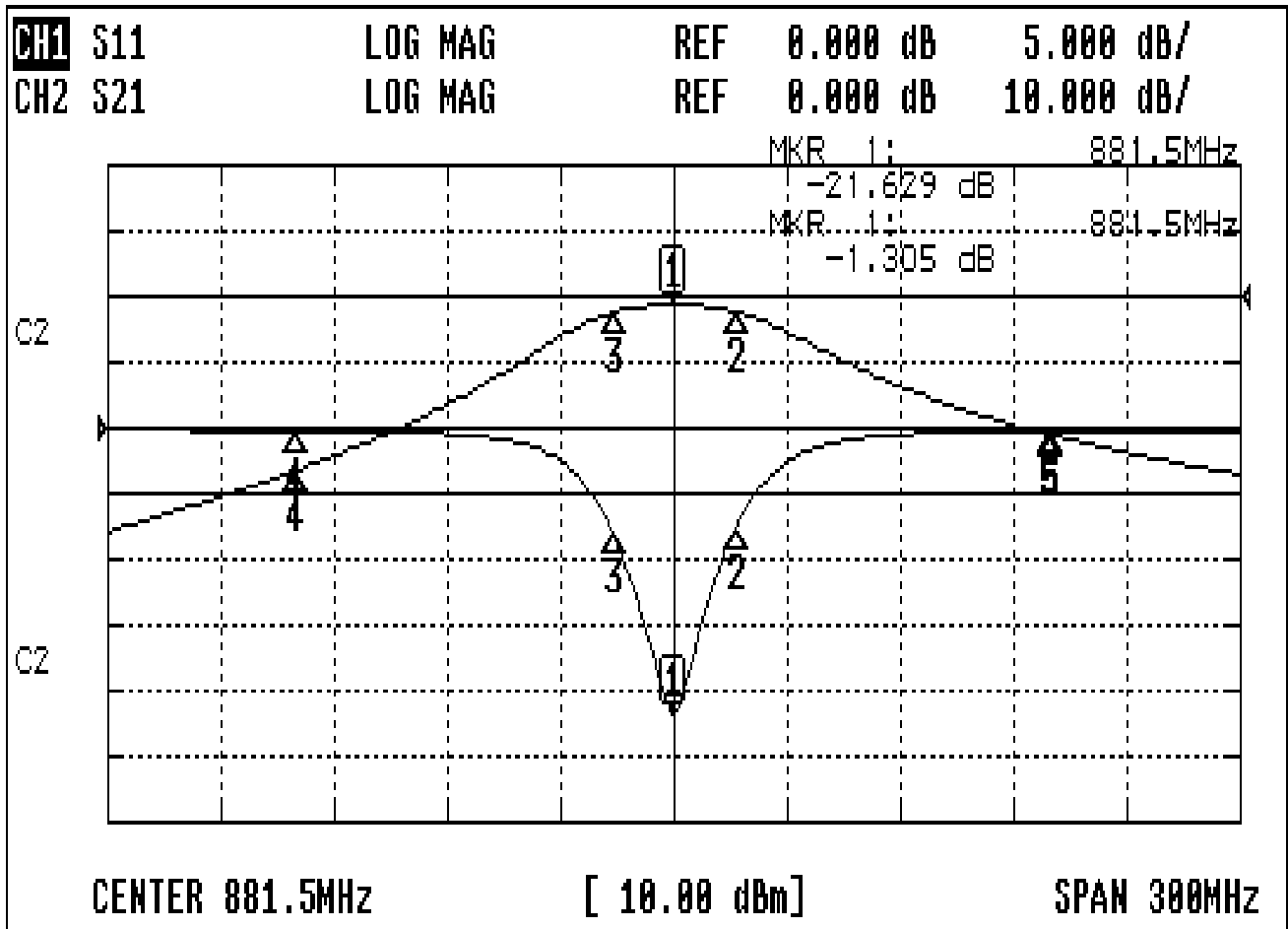


Approval C.Y.Chang	Supervisor C.K.Chang	Designer M.Y.Kang	Aperture size 7S2S(4*5.1)(5.14) 7S046LB6
-----------------------	-------------------------	----------------------	------------------------------------------------

**TEMWELL CORPORATION**

# Performance-TDS2322A-881.5M

## 201112091C



### CH1 MARKER LIST

1:	881.500MHz	-21.629 dB
2:	896.250MHz	-7.446 dB
3:	865.750MHz	-8.124 dB
4:	781.500MHz	-0.190 dB
5:	981.500MHz	-0.225 dB

### CH2 MARKER LIST

1:	881.500MHz	-1.303 dB
2:	896.250MHz	-2.310 dB
3:	865.750MHz	-2.300 dB
4:	781.500MHz	-26.413 dB
5:	981.500MHz	-21.082 dB