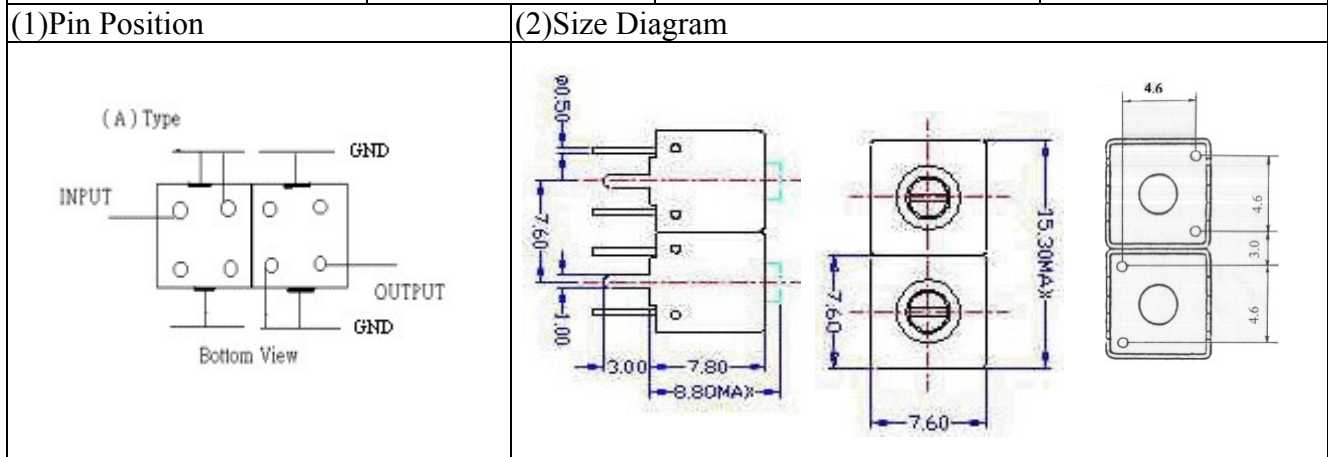


# VHF UHF Helical Filter Specification Sheet

Customer Name		Temwell's Part No.	TDS2322A-868.5M
Approval No. /dated		Temwell's Print Name	2322A 868.5M
Work Instruction No.	201202105BD	Date	Feb.20.2012



(3) Electric Characteristic

Item	Specify
Center Freq.(Fo ) +/- 0.75 %	868.5 MHz
Insertion Loss	Typ. 2.5 dB
-3 dB Bandwidth	Typ. 40 MHz
Sensitivity (Attenuation )	Fo - 100 MHz Typ. 25 dB
	Fo + 100 MHz Typ. 18 dB
	Fo - ( )MHz Typ. dBc
	Fo +( )MHz Typ. dBc
Return Loss	Min. 12 dB
Ripple	< 1 dB
Impedance	In / Out : 50 Ω

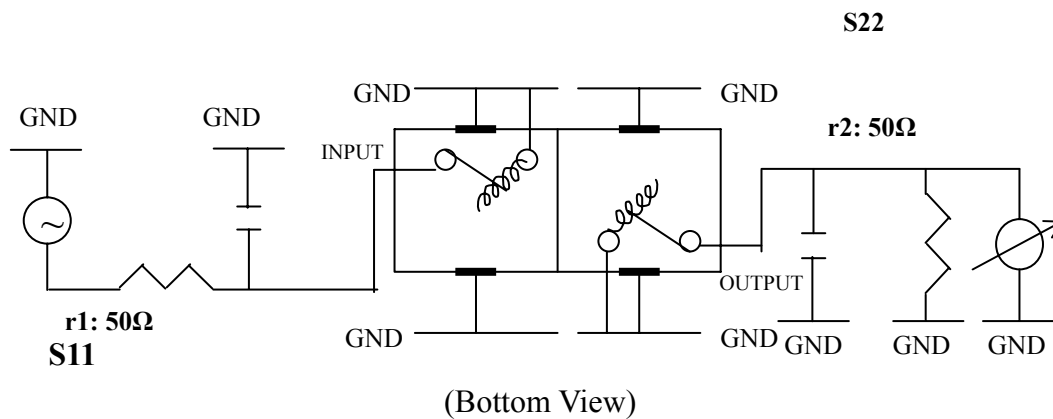
(4) Torque for Tuning Screw > 60gf · cm

(5) Temperature Condition:

Operating Temperature	-20°C ~ +70°C
Storage Temperature	-30°C ~ +80°C

(6) Input Power > 1Watt

(7) Measuring Circuit: ※Easy to match Impedance 50Ω/ by parallel with about (--)



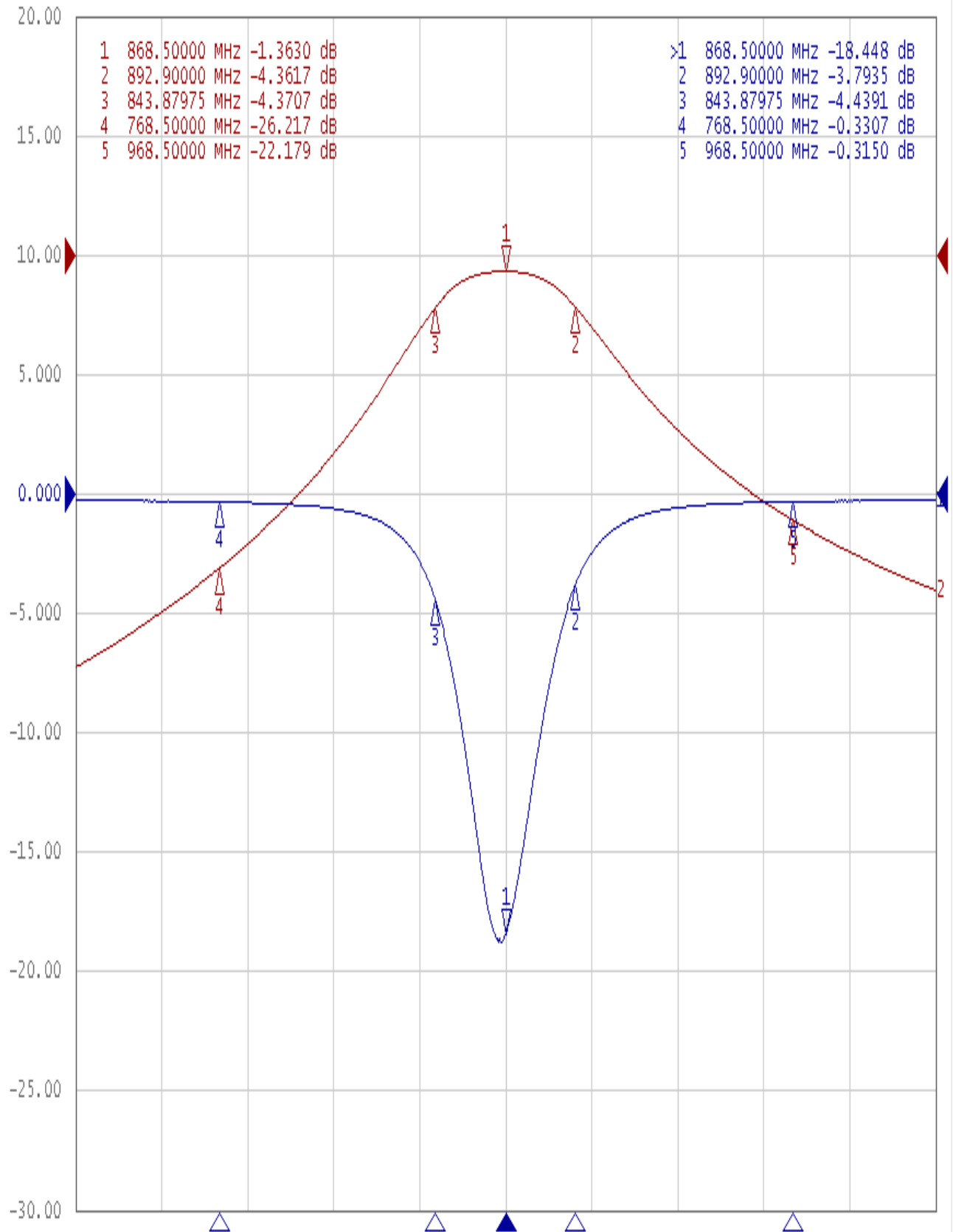
Approval	Supervisor	Designer	Aperture size
C.Y.Chang	C.K.Chang	P.H.Chiang	7S2S(4*5.1)(5.11) 7S046LB6

TEMWELL CORPORATION

# Performance-TDS2322A-868.5M

## 201202105BD

Tr1 S11 Log Mag 5.000dB/ Ref 0.000dB [F2]  
Tr2 S21 Log Mag 10.00dB/ Ref 0.000dB [F2]



1 Center 868.5 MHz

IFBW 70 kHz

Span 300 MHz Cor |