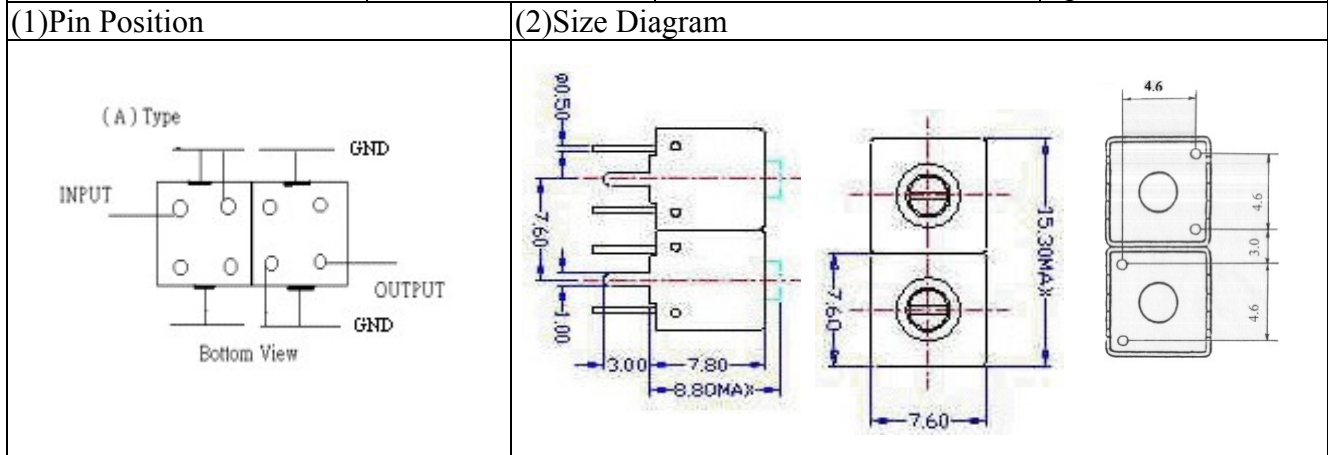


# VHF UHF Helical Filter Specification Sheet

Customer Name		Temwell's Part No.	TDS2319A-947.5M
Approval No. /dated		Temwell's Print Name	2319A 947.5M
Work Instruction No.	201104075CD	Date	Apr.08.2011



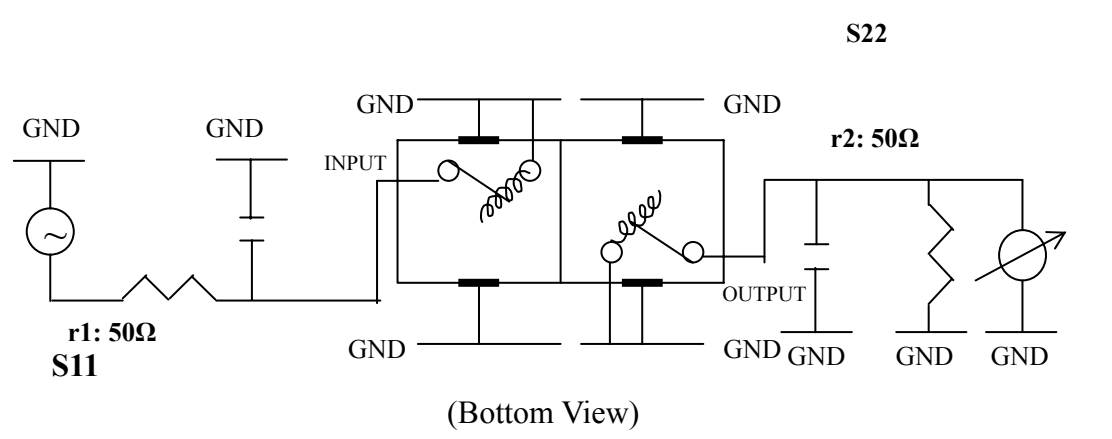
(3) Electric Characteristic		Item	Specify
		Center Freq.(Fo) +/- 0.75 %	947.5 MHz
		Insertion Loss	Typ 2.5 dB
		-3 dB Bandwidth	Typ. 40 MHz
Sensitivity (Attenuation)	Fo - 100 MHz	Typ.	25 dB
	Fo + 100 MHz	Typ.	18 dB
	Fo - ( )MHz	Typ.	dB
	Fo +( )MHz	Typ.	dB
		Return Loss	Min. 12 dB
		Ripple	< 1 dB
		Impedance	In / Out : 50 Ω

(4) Torque for Tuning Screw > 60gf · cm

(5) Temperature Condition:	
Operating Temperature	-30°C ~ +70°C
Storage Temperature	-30°C ~ +70°C

(6) Input Power > 1Watt

(7) Measuring Circuit: ※Easy to match Impedance 50Ω/ by parallel with about (--) pF.



Approval	Supervisor	Designer	Aperture size
C.Y.Chang	C.K.Chang	P.H.Chiang	7S2S(4*4.3)(4.37) 7S046LB6

TEMWELL CORPORATION

# Performance-TDS2319A-947.5M

## 201104075CD

