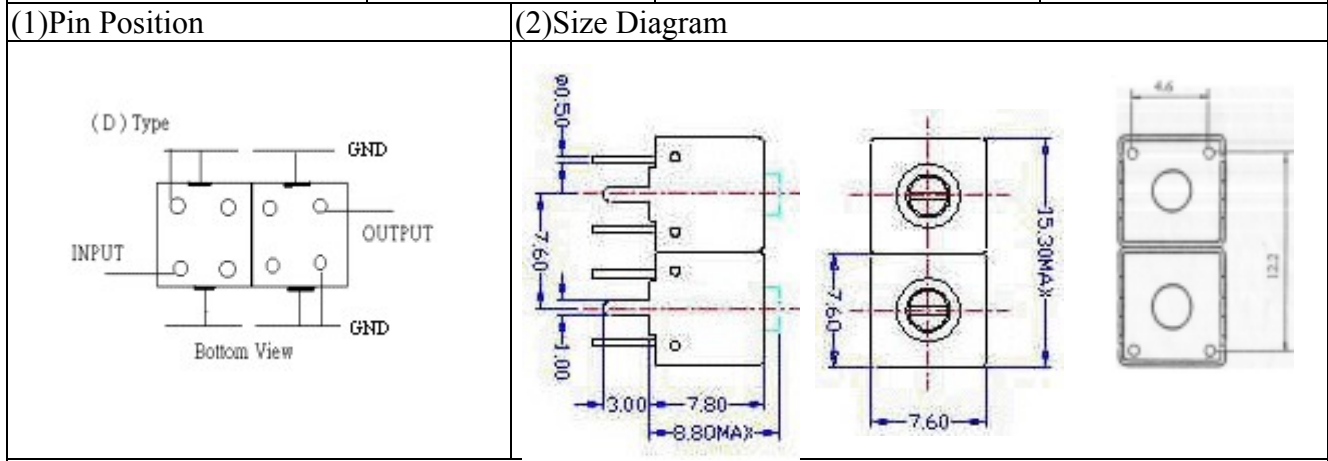


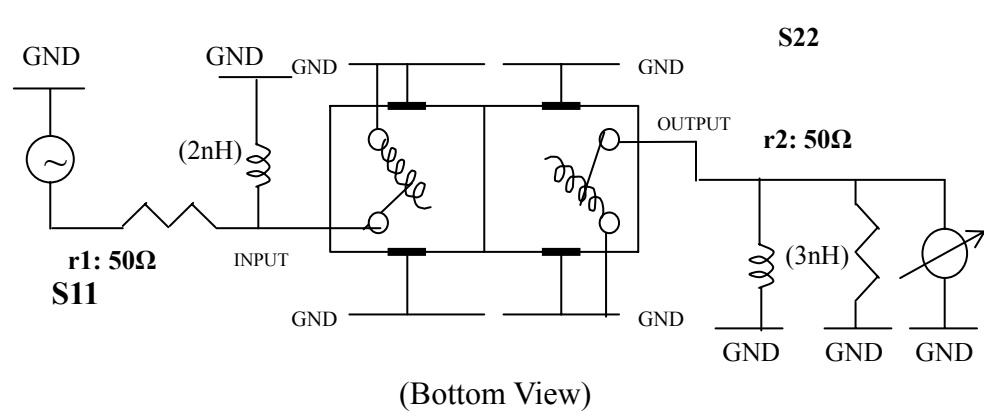
# VHF UHF Helical Filter Specification Sheet

Customer Name		Temwell's Part No.	TDS2143D-802.5M
Approval No. /dated	0709065APR	Customer's Print name	2143D 802.5M
Work Instruction No.	0709065C	Date	Jan.17.2008



(3) Electric Charasteric		Specify	
Item		802.5	MHz
Center Freq.(Fo) +/- 0.5 %		802.5±10	MHz
Insertion Loss	Typ.	3.0	dB
-3 dB Bandwidth	Typ.	22	MHz
Sensitivity (Attenuation)	Fo - 50 MHz	Typ.	19 dBc
	Fo + 50 MHz	Typ.	16 dBc
	Fo - (100)MHz	Typ.	33 dBc
	Fo +(100)MHz	Typ.	26 dBc
Return Loss		Min. 12	dB
Ripple		< 1	dB
Impedance		In / Out : 50 Ω	
(4) Torque for Tuning Screw		> 60gf cm	
(5) Temperature Condition:			
Operating Temperature		0 ~ +60	
Storage Temperature		-20 ~ +70	
(6) Input Power		> 0.5Watt	

(7) Measuring Circuit: Easy to match Impedance S11/S22 50Ω by parallel with about (2)nH /(3)nH

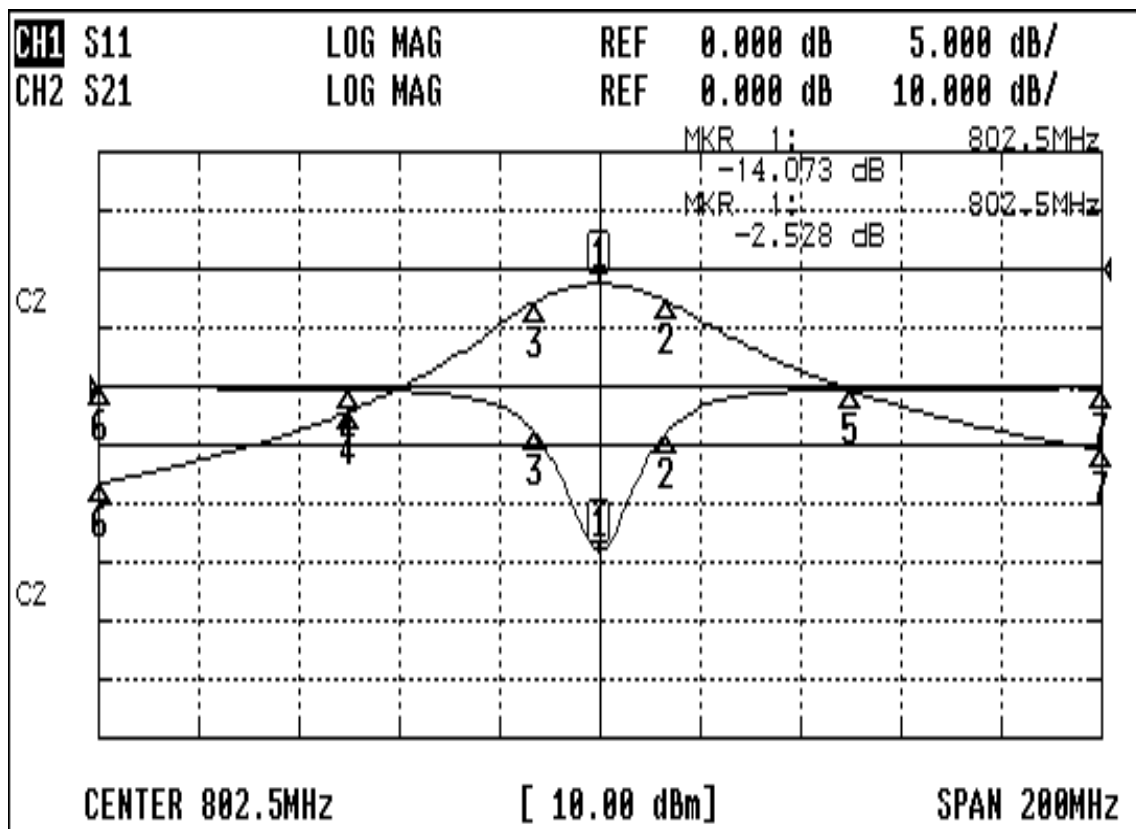


Approval C.Y.Chang	Supervisor C.S.Chang	Designer Y.H.Yeh	Aperture size 7S2(4*4.3) 7S046LB4
-----------------------	-------------------------	---------------------	---

TEMWELL CORPORATION

# Performance-TDS2143D-802.5M

## 0709065C



### CH1 MARKER LIST

1:	802.500MHz	-14.073 dB
2:	815.833MHz	-3.955 dB
3:	789.500MHz	-3.935 dB
4:	752.500MHz	-0.243 dB
5:	852.500MHz	-0.242 dB
6:	702.500MHz	-0.114 dB
7:	902.500MHz	-0.152 dB
8:		
9:		
10:		

### CH2 MARKER LIST

1:	802.500MHz	-2.531 dB
2:	815.833MHz	-5.509 dB
3:	789.500MHz	-5.611 dB
4:	752.500MHz	-24.239 dB
5:	852.500MHz	-20.626 dB
6:	702.500MHz	-36.768 dB
7:	902.500MHz	-30.748 dB
8:		
9:		
10:		