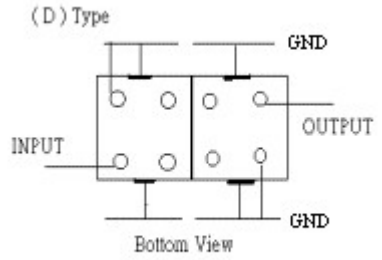
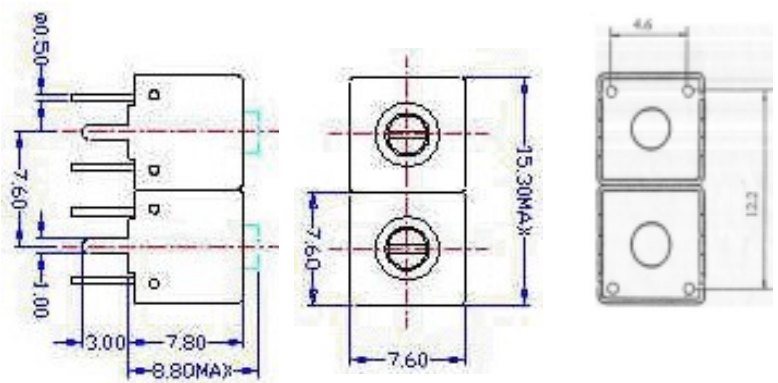


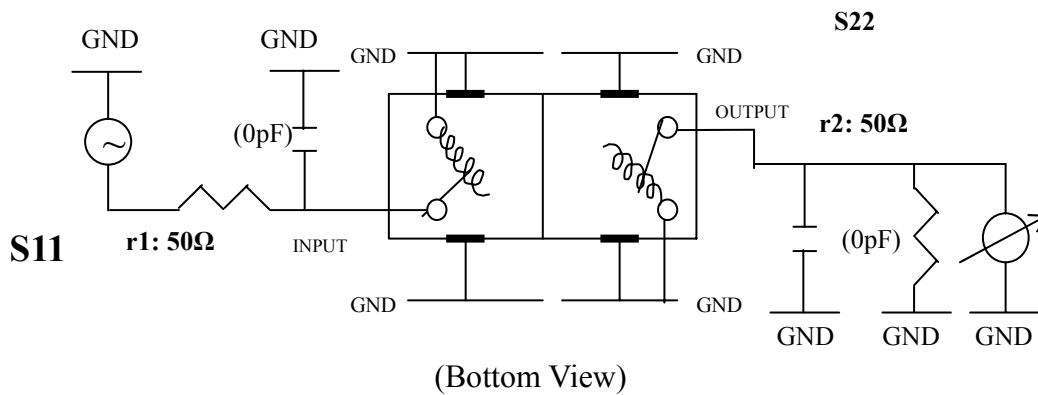
VHF UHF Helical Filter Specification Sheet

Customer Name		Temwell's Part No.	TDS2134D-710M
Approval No. /dated	0709063APR	Customer's Part No.	2134D 710M
Work Instruction No.	0709063C	Date	Feb.15.2008

(1)Pin Position	(2)Size Diagram
	

(3)Electric Charasteric	
Item	Specify
Center Freq.(Fo) +/- 0.5 %	710 MHz
Insertion Loss	Typ. 3.5 dB
-3 dB Bandwidth	Typ. 16 MHz
Sensitivity (Attenuation)	Fo - 50 MHz Typ. 23 dBc
	Fo + 50 MHz Typ. 21 dBc
	Fo - ()MHz Typ. dBc
	Fo +()MHz Typ. dBc
Return Loss	Min. 12 dB
Ripple	< 1 dB
Impedance	In / Out : 50 Ω
(4)Torque for Tuning Screw	> 60gf cm
(5)Temperature Condition:	
Operating Temperature	0 ~ +60
Storage Temperature	-20 ~ +70
(6)Input Power	> 0.5Watt

(7)Measuring Circuit: Easy to match Impedance 50Ω/50Ω by parallel with about (0) pF.

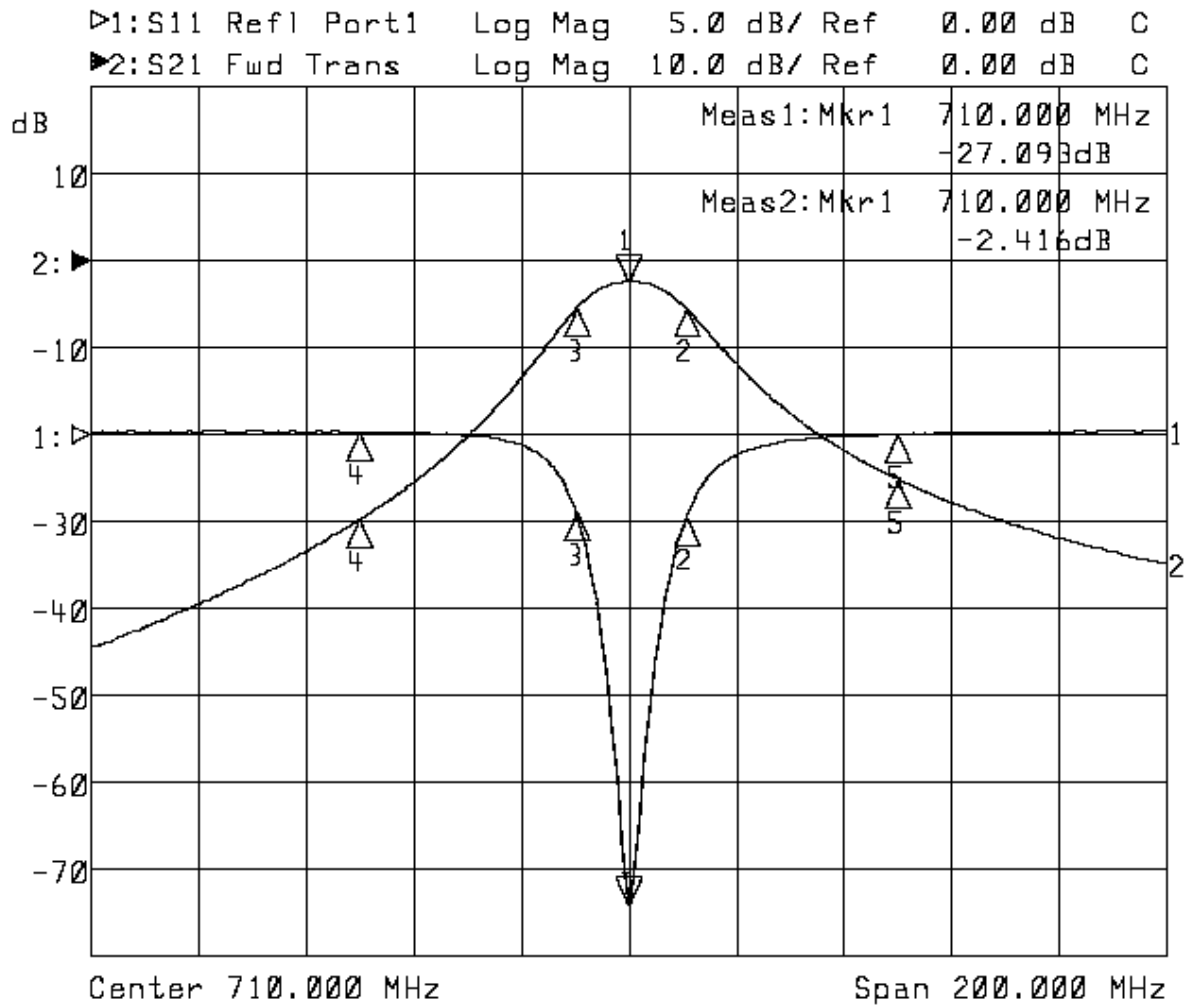


Approval C.Y.Chang	Supervisor C.S.Chang	Designer Y.H.Chuan	Aperture size 7S2(4*4.3)F*(4.0B) 7S046LB4
-----------------------	-------------------------	-----------------------	---

TEMWELL CORPORATION

Performance-TDS2134D-710M

0709063C



1: Mkr (MHz)	dB	2: Mkr (MHz)	dB
1> 710.0000	-27.093	1> 710.0000	-2.416
2: 720.6667	-4.797	2: 720.6667	-5.434
3: 700.3333	-4.553	3: 700.3333	-5.410
4: 660.0000	0.149	4: 660.0000	-29.799
5: 760.0000	0.006	5: 760.0000	-25.129