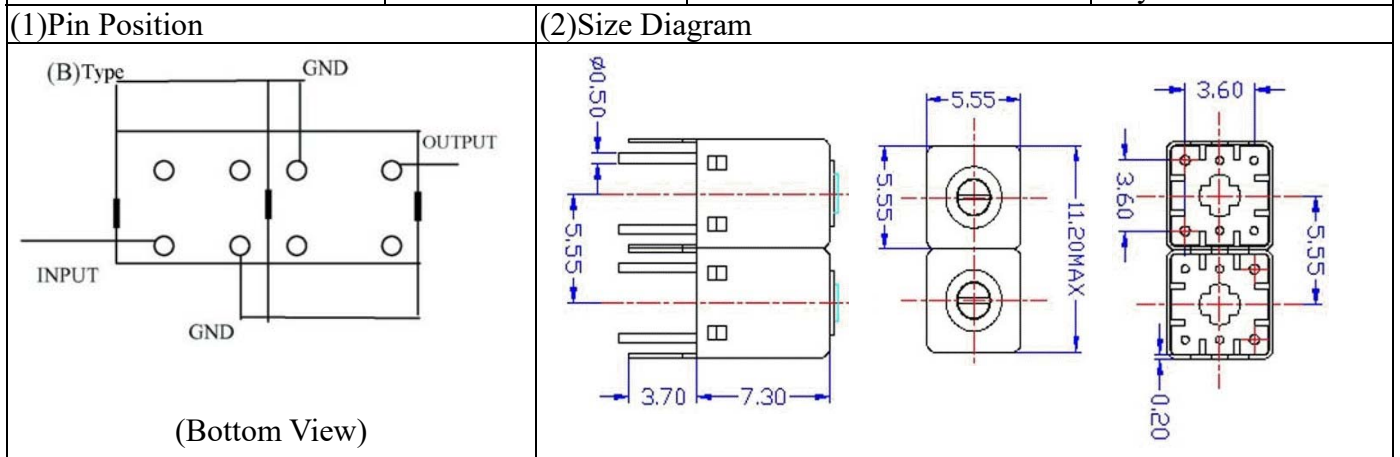


# VHF UHF Helical Filter Specification Sheet

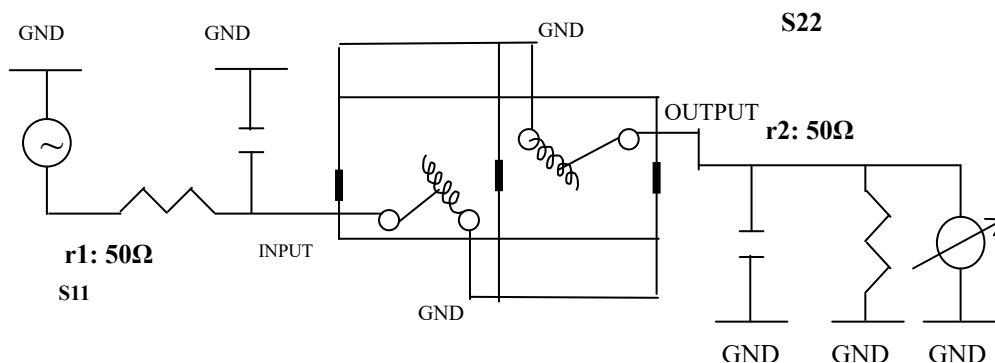
Customer Name		Temwell's Part No.	TDR2948B-450M
Approval No. /dated		Temwell's print name.	2948B 450M
Work Instruction No.	201704007A	Date	May.3.2017



### (3)Electric Charasteric

Item	Specify
Center Freq.(Fo) +/- 0.5 %	450 MHz
Insertion Loss	Typ. 3.5 dB
-3 dB Bandwidth	Typ. 11 MHz
Sensitivity (Attenuation)	Fo - 50 MHz Typ. 22 dBc
	Fo + 50 MHz Typ. 25 dBc
	Fo - ( )MHz Typ. dBc
	Fo +( )MHz Typ. dBc
Return Loss	Min. 12 dB
Ripple	< 1 dB
Impedance	In / Out : 50 Ω
(4)Torque for Tuning Screw	> 60gf • cm
(5)Temperature Condition:	
Operating Temperature	0°C ~ +60°C
Storage Temperature	-20°C ~ +70°C
(6)Input Power	>0.5Watt

(7)Measuring Circuit: ※Easy to match Impedance 50Ω by parallel with about (--).



(Bottom View)

Approval	Supervisor	Designer	Aperture size
C.Y.Chang	C.K.Chang	C.S.Chang	5R2S(3.8*3.65)(3.69) 5HW024LB3

TEMWELL CORPORATION

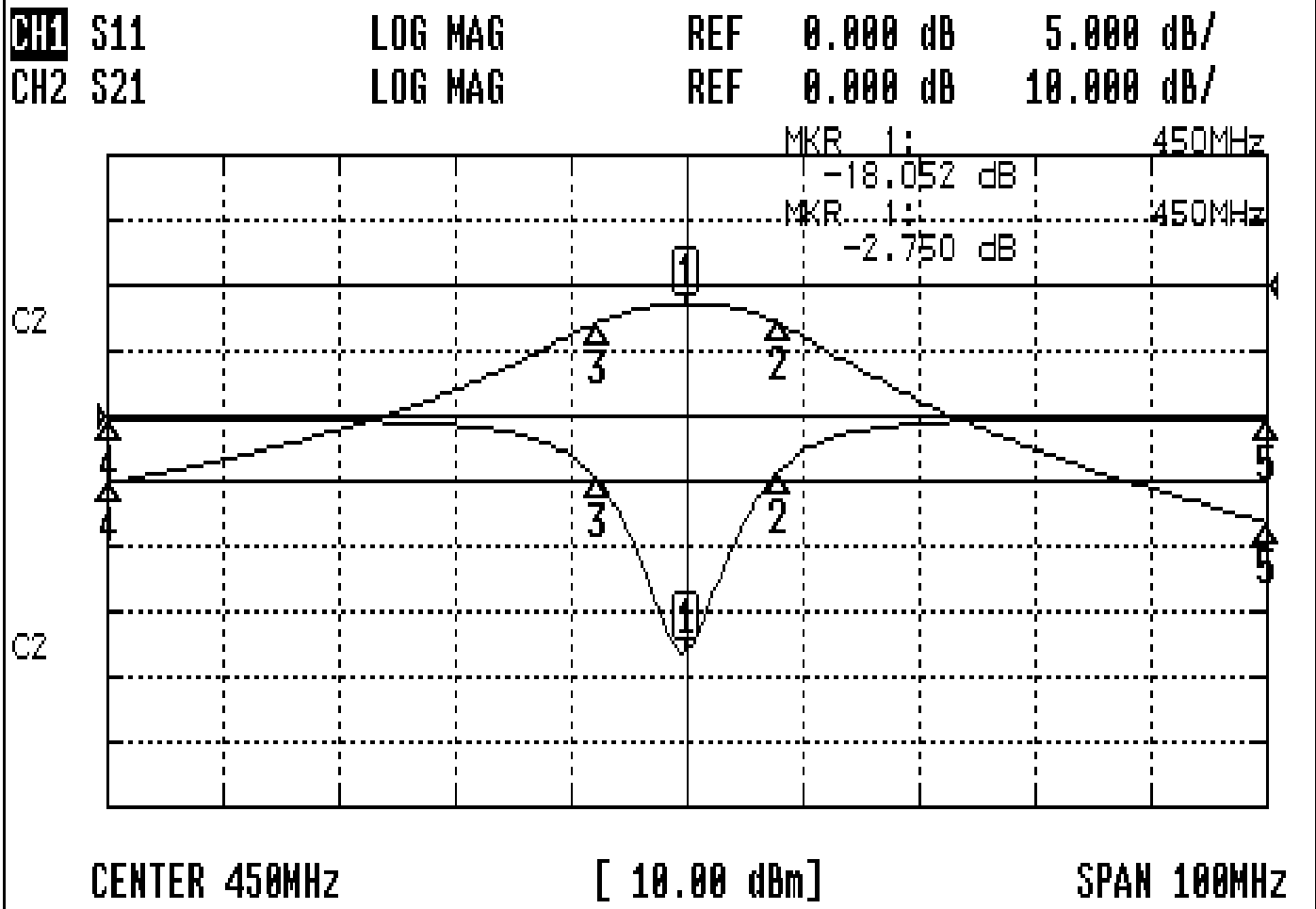
TEMWELL

Form10-5R2B Vision D

RP(W.S.C)

# Performance-TDR2948B-450M

201704007A



## CH1 MARKER LIST

1:	450.000MHz	-18.052	dB
2:	457.833MHz	-4.408	dB
3:	442.250MHz	-4.848	dB
4:	400.000MHz	-0.197	dB
5:	500.000MHz	-0.153	dB
6:			
7:			
8:			
9:			
10:			

## CH2 MARKER LIST

1:	450.000MHz	-2.752	dB
2:	457.833MHz	-5.732	dB
3:	442.250MHz	-5.725	dB
4:	400.000MHz	-30.244	dB
5:	500.000MHz	-36.300	dB
6:			
7:			
8:			
9:			
10:			