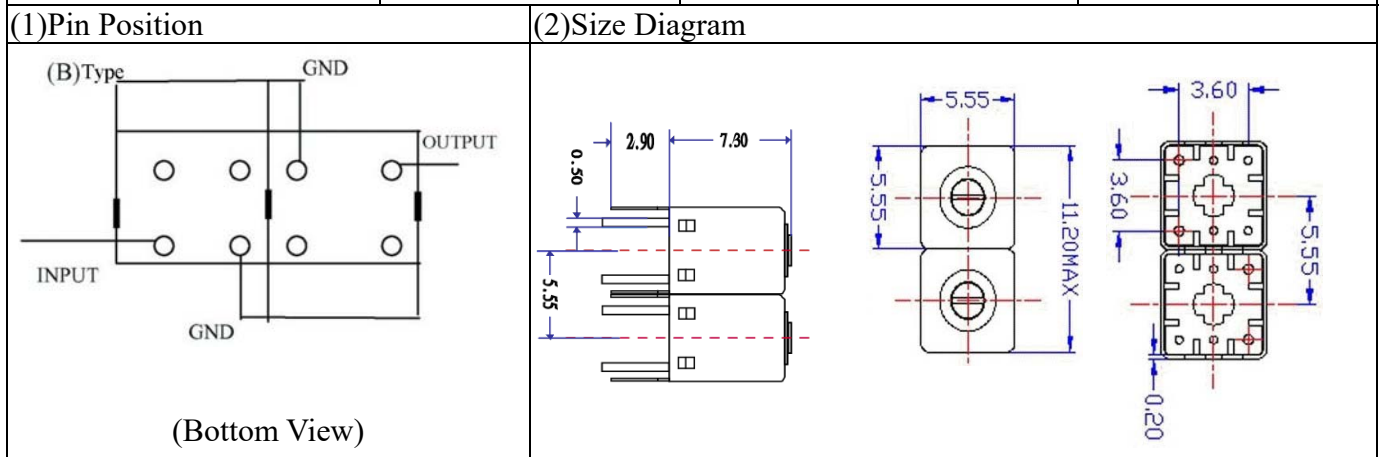


VHF UHF Helical Filter Specification Sheet

Customer Name		Temwell's Part No.	TDR2942B-433.92M
Approval No. /dated		Temwell's print name.	2942B 433.92M
Work Instruction No.	201512019A	Date	Jan.08.2016



(3) Electric Characteristic

Item	Specify	
Center Freq.(Fo) +/- 0.75 %	433.92	MHz
Insertion Loss	Typ. 3.5	dB
-3 dB Bandwidth	Typ. 10	MHz
Sensitivity (Attenuation)	Fo - 50 MHz	Typ. 25 dBc
	Fo + 50 MHz	Typ. 25 dBc
	Fo - ()MHz	Typ. dBc
	Fo +()MHz	Typ. dBc
Return Loss	Min. 12	dB
Ripple	< 1	dB
Impedance	In / Out : 50 Ω	

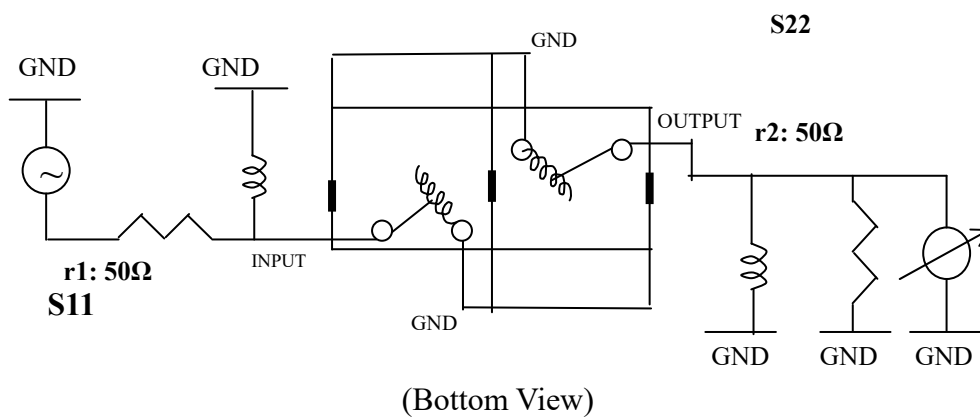
(4) Torque for Tuning Screw > 60 gf • cm

(5) Temperature Condition:

Operating Temperature	-30°C ~ +70°C
Storage Temperature	-30°C ~ +80°C

(6) Input Power > 0.5Watt

(7) Measuring Circuit: ※Easy to match Impedance 50Ω by parallel with about (---)



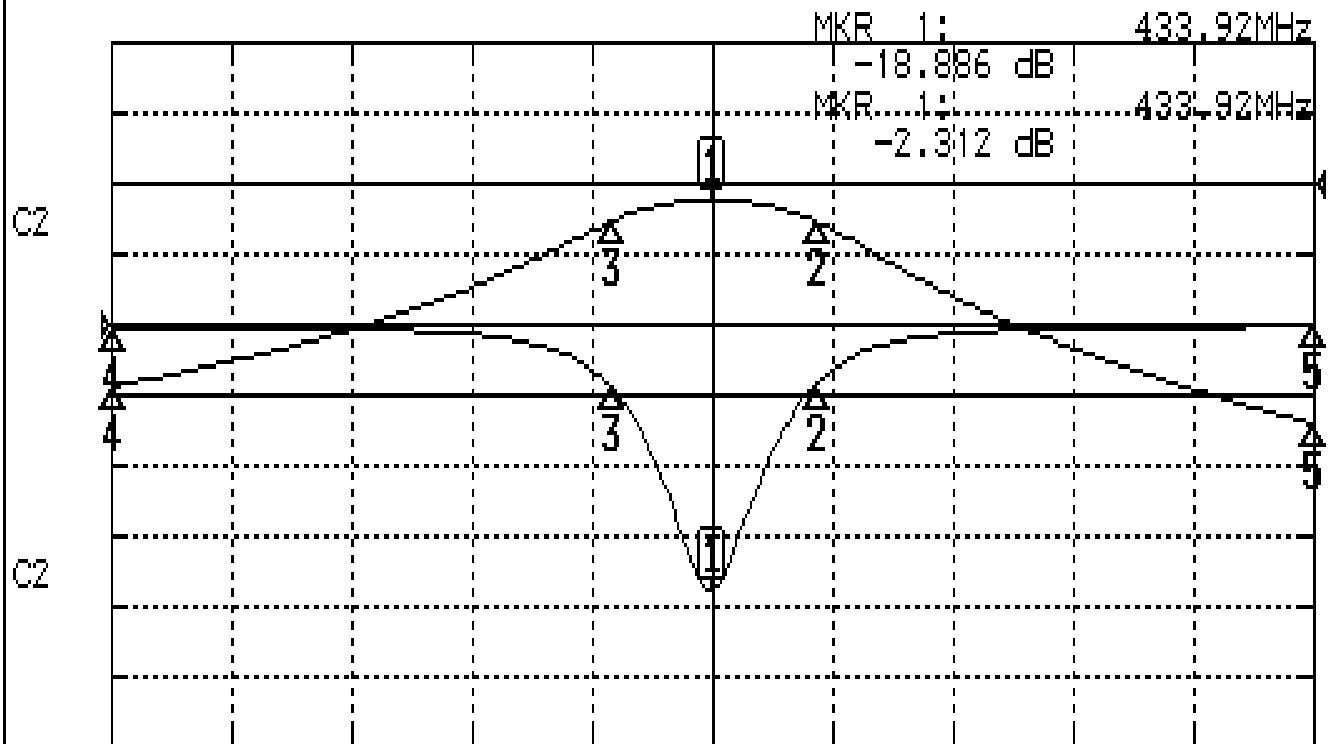
Approval	Supervisor	Designer	Aperture size
C.Y.Chang	C.K.Chang	P.H.Chiang	5R2S(3.8*3.65)(4.70) 5HW024LB3

TEMWELL CORPORATION

Performance-TDR2942B-433.92M

201512019A

CH1 S11 LOG MAG REF 0.000 dB 5.000 dB/
CH2 S21 LOG MAG REF 0.000 dB 10.000 dB/



CENTER 433.92MHz

[10.00 dBm]

SPAN 100MHz

CH1 MARKER LIST

Marker	Frequency (MHz)	Magnitude (dB)
1	433.920MHz	-18.886 dB
2	442.586MHz	-4.163 dB
3	425.503MHz	-4.392 dB
4	383.920MHz	-0.156 dB
5	483.920MHz	-0.127 dB

CH2 MARKER LIST

Marker	Frequency (MHz)	Magnitude (dB)
1	433.920MHz	-2.312 dB
2	442.586MHz	-11.353 dB
3	425.503MHz	-11.348 dB
4	383.920MHz	-28.737 dB
5	483.920MHz	-34.131 dB