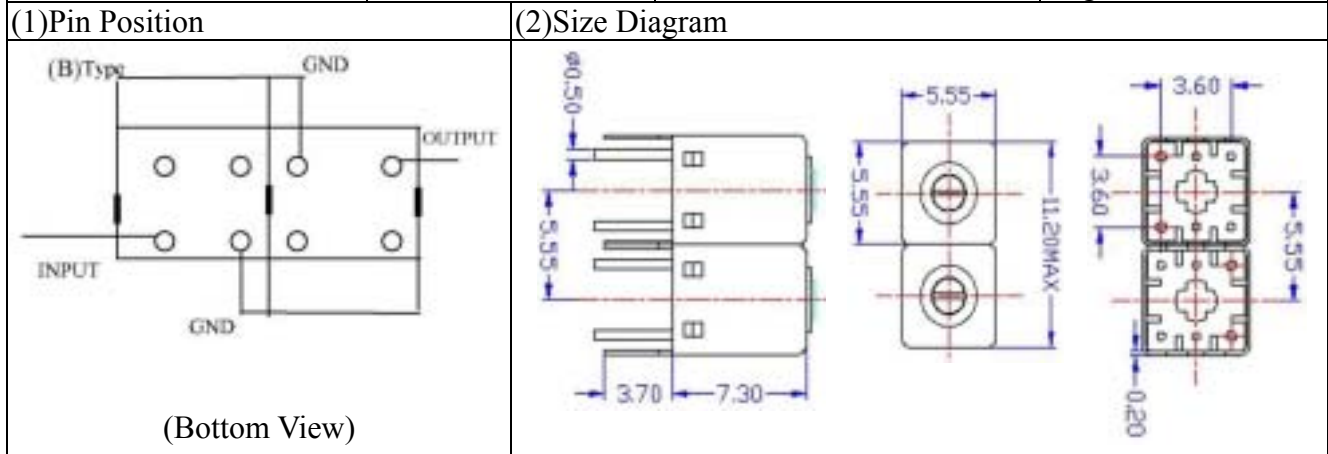


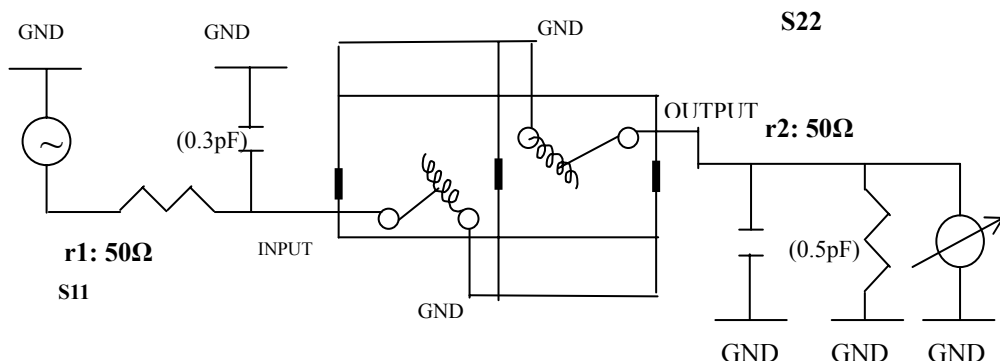
VHF UHF Helical Filter Specification Sheet

Customer Name		Temwell's Part No.	TDR2815B-1525M
Approval No. /dated	0806041CD	Temwell's print name.	2815B 1525M
Work Instruction No.	0806041CD	Date	Aug.13.2008



(3)Electric Charasteric	
Item	Specify
Center Freq.(Fo) +/- 0.5	1525 MHz
Tunable Range	1525±5 MHz
Insertion Loss	Typ. 3.0 dB
-3 dB Bandwidth	Typ. 56 MHz
Sensitivity (Attenuation)	Fo - 100 MHz Typ. 17 dBc
	Fo + 100 MHz Typ. 14 dBc
	Fo - ()MHz Typ. dBc
	Fo +()MHz Typ. dBc
Return Loss	Min. 12 dB
Ripple	< 1 dB
Impedance	In / Out : 50 Ω
(4)Torque for Tuning Screw > 60gf cm	
(5)Temperature Condition:	
Operating Temperature	0 ~ +60
Storage Temperature	-20 ~ +70
(6)Input Power	>0.5Watt

(7)Measuring Circuit: Easy to match Impedance S11/S22 50Ω /by parallel with about (0.3pF)/(0.5pF).



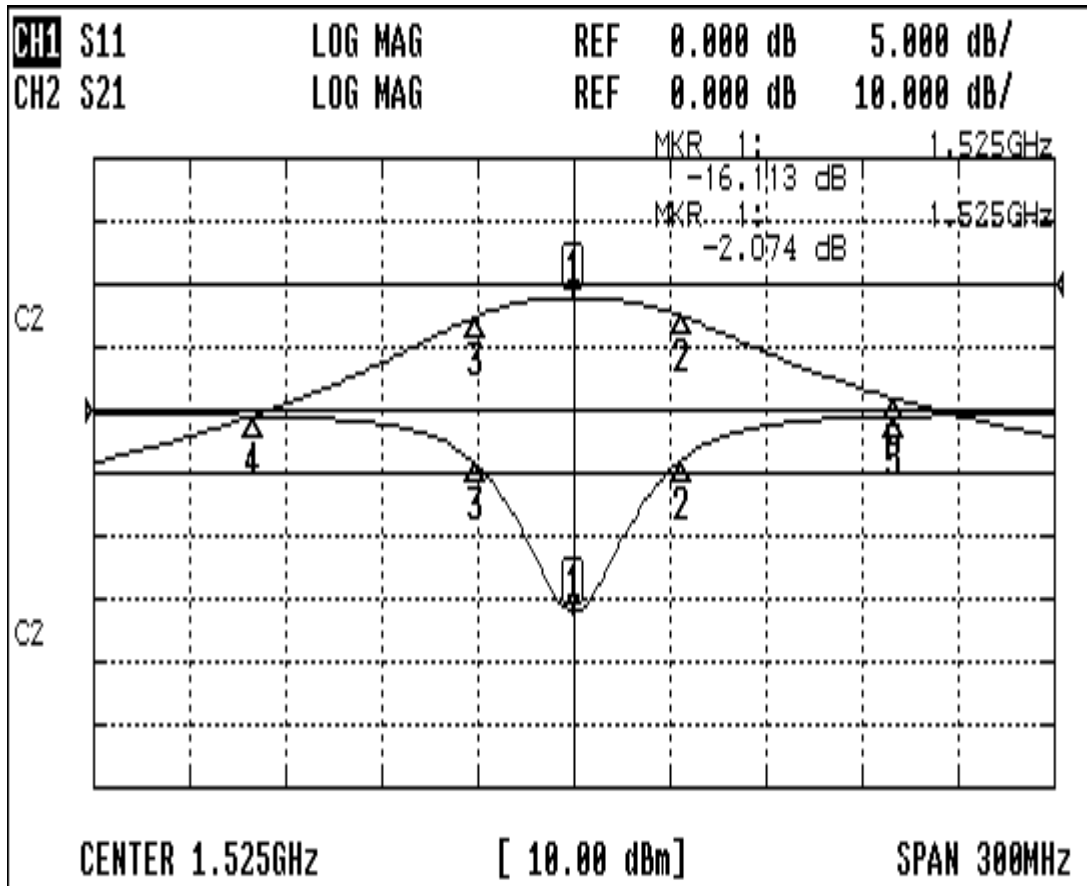
(Bottom View)

Approval	Supervisor	Designer	Aperture size
C.Y.Chang	C.S.Chang	C.H.Yeh	5R2S(3.8*4.7) 5HW024RB3

TEMWELL CORPORATION

Performance-TDR2815B-1525M

0806041CD



CH1 MARKER LIST

1:	1.525 000GHz	-16.113 dB
2:	1.558 500GHz	-4.003 dB
3:	1.494 500GHz	-4.255 dB
4:	1.425 000GHz	-0.465 dB
5:	1.625 000GHz	-0.514 dB
6:		
7:		
8:		
9:		
10:		

CH2 MARKER LIST

1:	1.525 000GHz	-2.074 dB
2:	1.558 500GHz	-5.037 dB
3:	1.494 500GHz	-5.119 dB
4:	1.425 000GHz	-20.826 dB
5:	1.625 000GHz	-18.122 dB
6:		
7:		
8:		
9:		
10:		