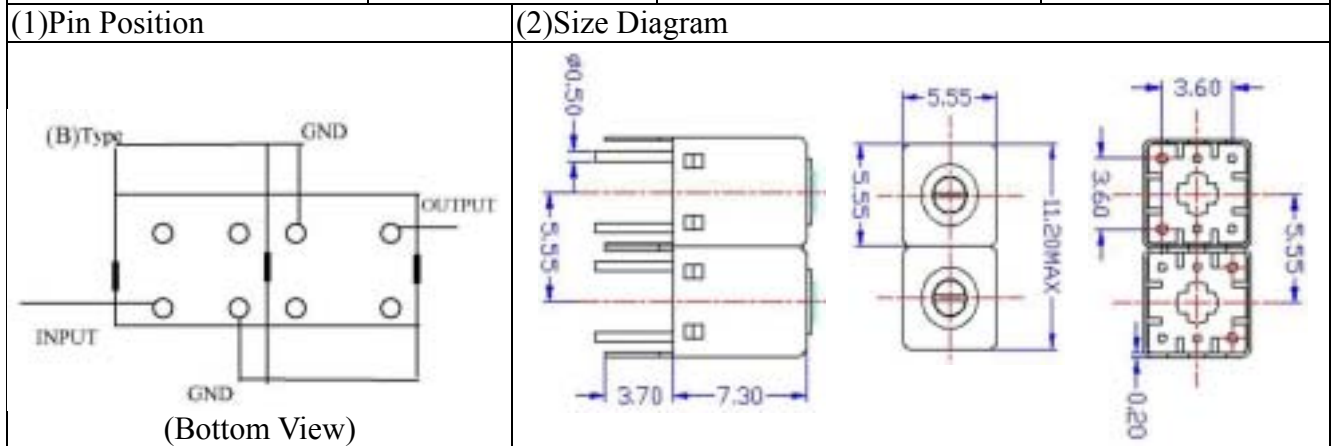


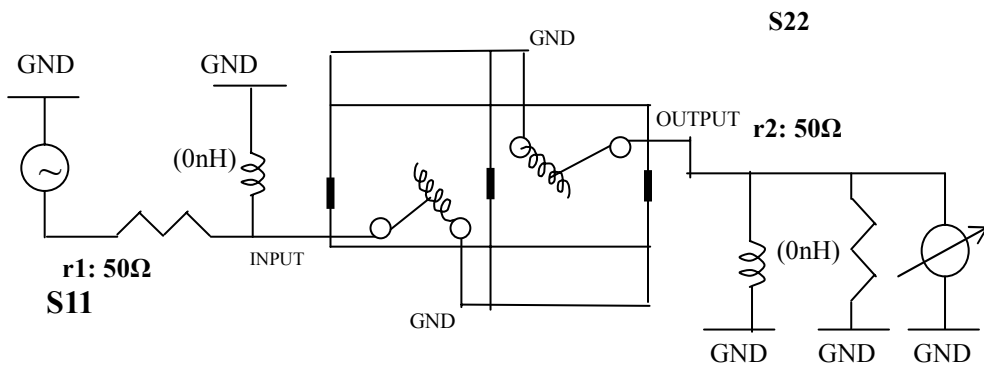
VHF UHF Helical Filter Specification Sheet

Customer Name		Temwell's Part No.	TDR2670B-610M
Approval No. /dated	0709068 APR	Temwell's print name.	2670B 610M
Work Instruction No.	0709068C	Date	Feb.19.2008



(3)Electric Charasteric		Item	Specify
Center Freq.(Fo) +/- 0.5 %			610 MHz
Tunable Range			610±5 MHz
Insertion Loss		Typ.	3.0 dB
-1 dB Bandwidth		Typ.	14 MHz
-3 dB Bandwidth		Typ.	33 MHz
Sensitivity (Attenuation)	Fo - 50 MHz	Typ.	22 dBc
	Fo + 50 MHz	Typ.	17 dBc
	Fo - ()MHz	Typ.	dBc
	Fo +()MHz	Typ.	dBc
Return Loss		Min.	12 dB
Ripple			< 1 dB
Impedance			In / Out : 50 Ω
(4)Torque for Tuning Screw			> 60gf cm
(5)Temperature Condition:			
Operating Temperature			0 ~ +60
Storage Temperature			-20 ~ +70
(6)Input Power			> 0.5Watt

(7)Measuring Circuit: Easy to match Impedance 50Ω by parallel with about (0) nH.



(Bottom View)

Approval	Supervisor	Designer	Aperture size
C.Y.Chang	C.S.Chang	Y.H.Chuan	5R2(3.8*4.2)F*(3.0B) 5HW024RB3

TEMWELL CORPORATION

