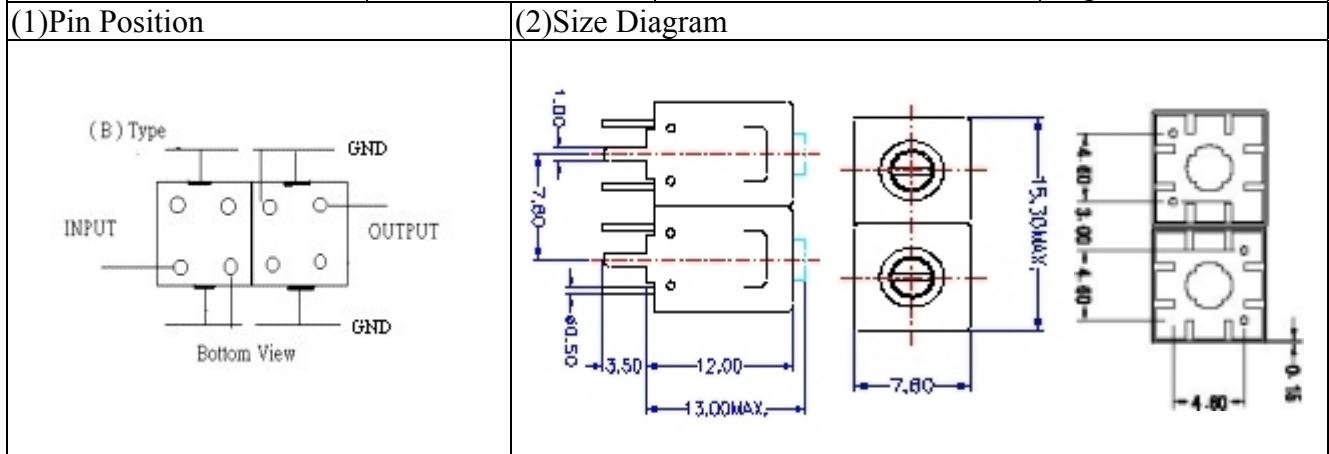


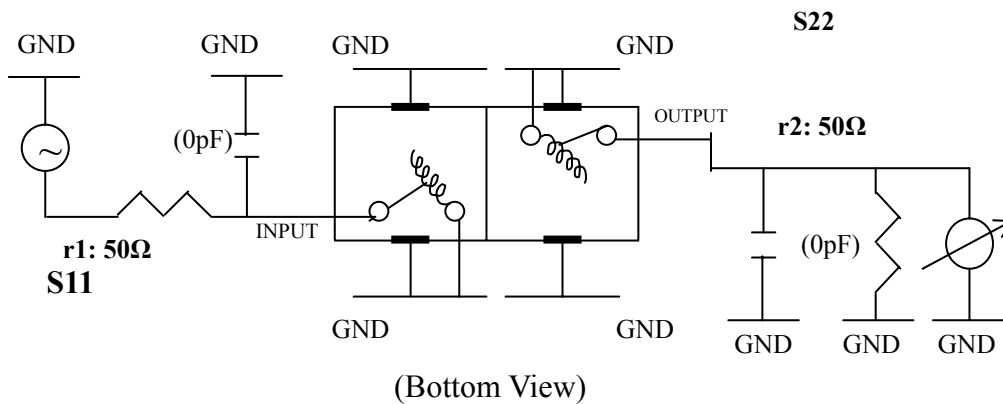
VHF UHF Helical Filter Specification Sheet

Customer Name		Temwell's Part No.	TD6831B-235M
Approval No. /dated	0806030CD	Customer's Part No.	6831B 235M
Work Instruction No.	0806030CD	Date	Aug.13.2008



(3)Electric Charasteric	
Item	Specify
Center Freq.(Fo) +/- 0.5 %	235 MHz
Insertion Loss	Typ. 5.5 dB
-3 dB Bandwidth	Typ. 2 MHz
Sensitivity (Attenuation)	Fo - 10 MHz Typ. 18 dBc
	Fo + 10 MHz Typ. 28 dB
	Fo - ()MHz Typ. dB
	Fo +()MHz Typ. dB
Return Loss	Min. 12 dB
Ripple	< 1 dB
Impedance	In / Out : 50 Ω
(4)Torque for Tuning Screw	> 100gf cm
(5)Temperature Condition:	
Operating Temperature	0 ~ +60
Storage Temperature	-20 ~ +70
(6)Input Power	> 1Watt

(7)Measuring Circuit: Easy to match Impedance S11/S22 50Ω/ by parallel with about (0) pF.

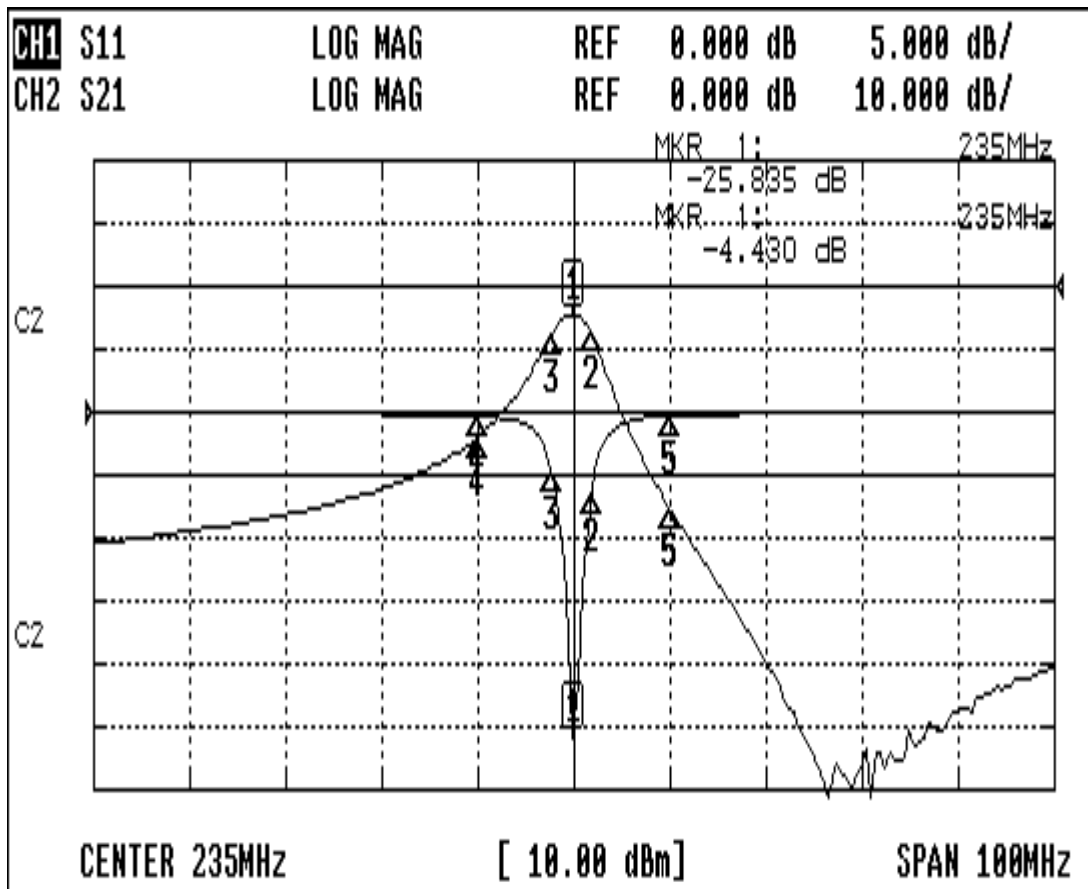


Approval C.Y.Chang	Supervisor C.S.Chang	Designer K.L.Lia	Aperture size 7H2S(4*4.5F) 7H024LB4
-----------------------	-------------------------	---------------------	---

TEMWELL CORPORATION

Performance-TD6831B-235M

0806030CD



CH1 MARKER LIST		
1:	235.000MHz	-25.835 dB
2:	236.916MHz	-6.393 dB
3:	232.750MHz	-4.736 dB
4:	225.000MHz	-0.303 dB
5:	245.000MHz	-0.266 dB
6:		
7:		
8:		
9:		
10:		

CH2 MARKER LIST		
1:	235.000MHz	-4.430 dB
2:	236.916MHz	-7.505 dB
3:	232.750MHz	-7.452 dB
4:	225.000MHz	-23.910 dB
5:	245.000MHz	-35.123 dB
6:		
7:		
8:		
9:		
10:		