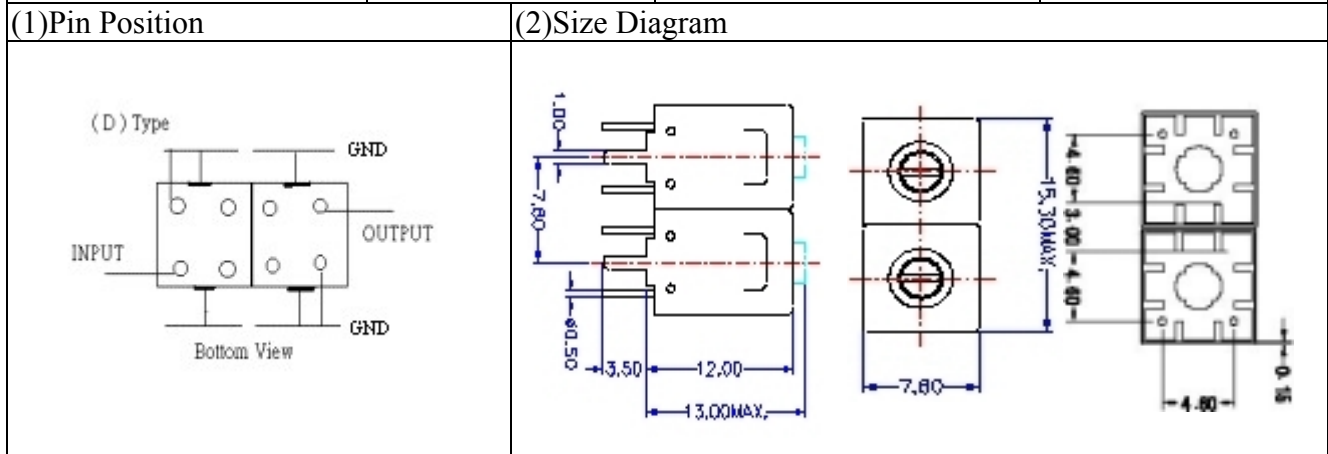


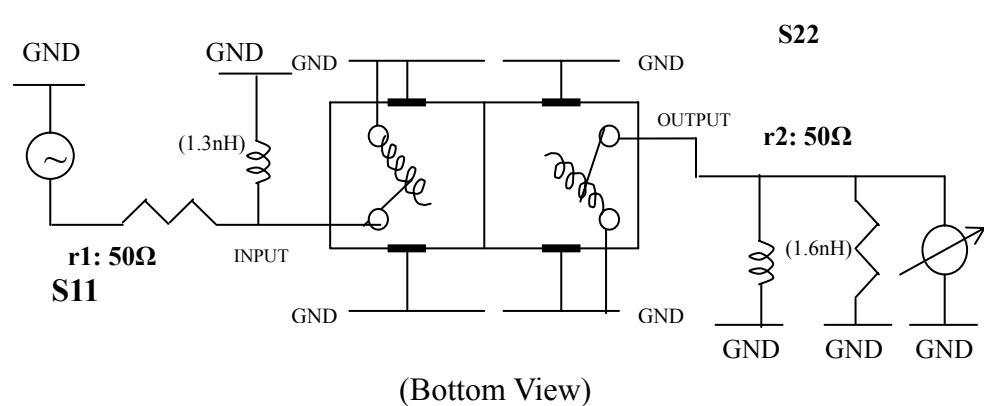
VHF UHF Helical Filter Specification Sheet

Customer Name		Temwell's Part No.	TD6791D-440M
Approval No. /dated	0902108CD	Customer's Part Name	6791D 440M
Work Instruction No.	200902108CD	Date	Feb.23.2009



(3) Electric Charasteric	
Item	Specify
Center Freq.(Fo) +/- 0.5 %	440 MHz
Tunable Range:	440±5 MHz
Insertion Loss	Typ. 3.0 dB
-3 dB Bandwidth	Typ. 10 MHz
Sensitivity (Attenuation)	Fo - 20 MHz Typ. 15 dBc
	Fo + 20 MHz Typ. 11 dBc
	Fo - ()MHz Typ. dBc
	Fo +()MHz Typ. dBc
Return Loss	Min. 12 dB
Ripple	< 1 dB
Impedance	In / Out : 50 Ω
(4) Torque for Tuning Screw	> 100gf cm
(5) Temperature Condition:	
Operating Temperature	0 ~ +60
Storage Temperature	-20 ~ +70
(6) Input Power	> 1Watt

(7) Measuring Circuit: Easy to match Impedance S11/S22 50Ω/ by parallel with about (1.3nH)/(1.6nH).

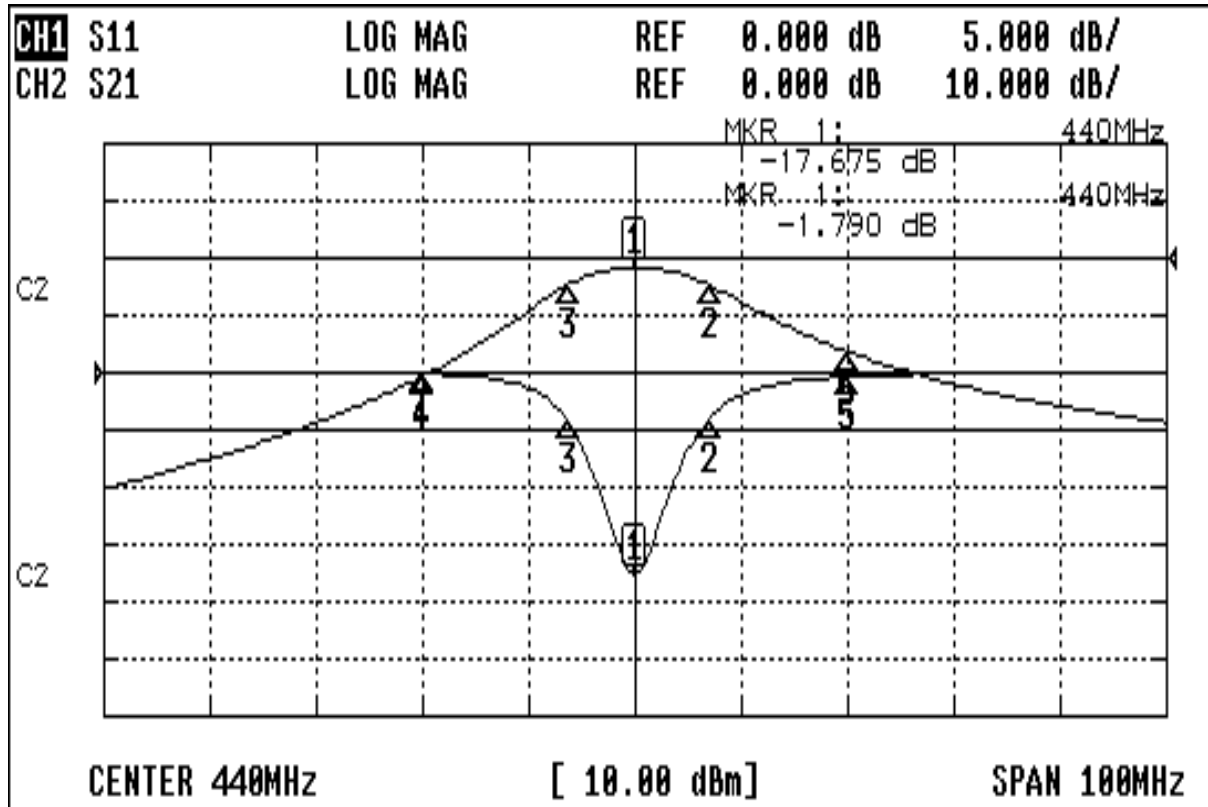


Approval C.Y.Chang	Supervisor C.K.Chang	Designer C.H.Yeh	Aperture size 7H2S(4*4.65)(4.71) 7H046LB4.3 聚 3
-----------------------	-------------------------	---------------------	---

TEMWELL CORPORATION

Performance-TD6791D-440M

200902108CD



CH1 MARKER LIST

1:	440.000MHz	-17.675 dB
2:	447.083MHz	-3.990 dB
3:	433.666MHz	-4.188 dB
4:	420.000MHz	-0.082 dB
5:	460.000MHz	-0.342 dB

CH2 MARKER LIST

1:	440.000MHz	-1.790 dB
2:	447.083MHz	-4.757 dB
3:	433.666MHz	-4.726 dB
4:	420.000MHz	-20.628 dB
5:	460.000MHz	-16.322 dB