



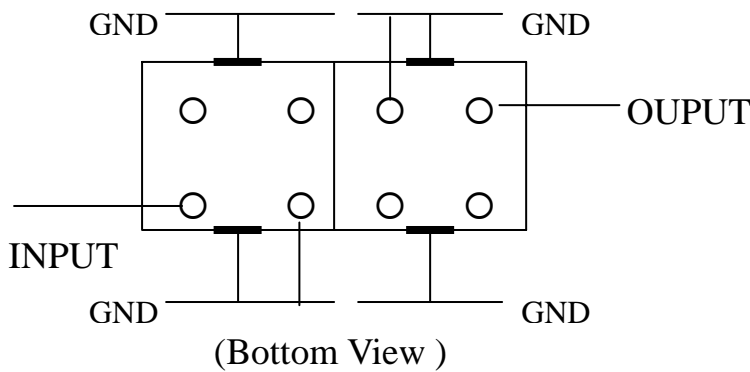
Customized UHF SHF Filter & Miniature Duplexer

VHF UHF Helical Filter Specification Sheet

Customer Name		Temwell's Part No.	TD67480B-370M
Approval No. /dated		Customer's Part No.	
Work Instruction No.	20504018C	Date	Apr.19.2005
<input type="checkbox"/> Buyer Print name		<input type="checkbox"/> Temwell's print name	67480B 370M
Case Name	7H2	Case size :	
Terminator Type	B		

* Pin Position (Pin Connection) diagram as following

(B) Type



(3) Electric Charasteric

Item	Specify	
Center Freq.(Fo) +/- 0.5 %	370	MHz
Insertion Loss	Typ.. 2.5	dB
-1 dB Bandwidth	Typ. 8	MHz
-3 dB Bandwidth	Typ. 9	MHz
Sensentivity (Attenuation)	Fo -40 MHz	Typ. 35 dBc
	Fo +40 MHz	Typ. 25 dBc
	Fo - () MHz	Typ. dBc
	Fo +() MHz	Typ. dBc
Return Loss	Min. 12	dB
Ripple	< 1	dB
Impedance	In / Out : 50 Ω	
Torque for Tuning Screw	> 60gf cm	

4. Temperature Condition:

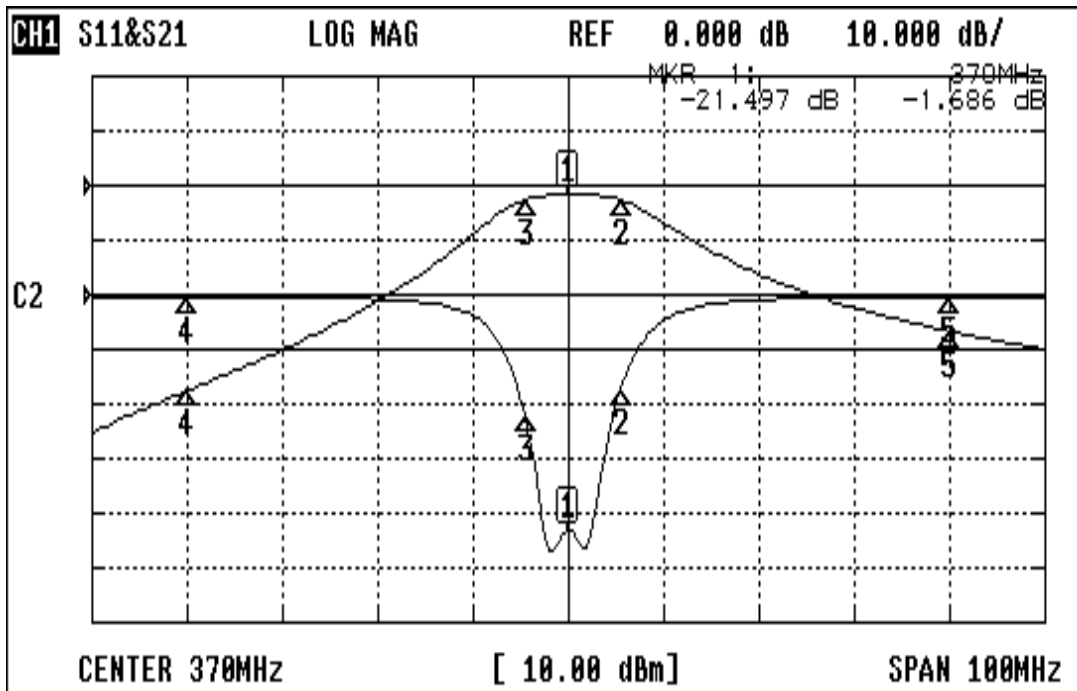
Operating Temperature	0 ~ +60
Storage Temperature	-20 ~ +70

Approval	Supervisor	Designer	Aperture size
C.Y.Chang	C.S.Chang	J.F.Lin	7H2, 4*6.5(6.53) 7H046RB4

TEMWELL CORPORATION

Performance-TD67480B-370M

20504018C



CH1 MARKER LIST

1:	370.000MHz	-21.497 dB	-1.686 dB
2:	375.583MHz	-8.589 dB	-2.657 dB
3:	365.500MHz	-10.982 dB	-2.619 dB
4:	330.000MHz	-0.199 dB	-37.584 dB
5:	410.000MHz	-0.207 dB	-26.650 dB
6:			
7:			
8:			
9:			
10:			