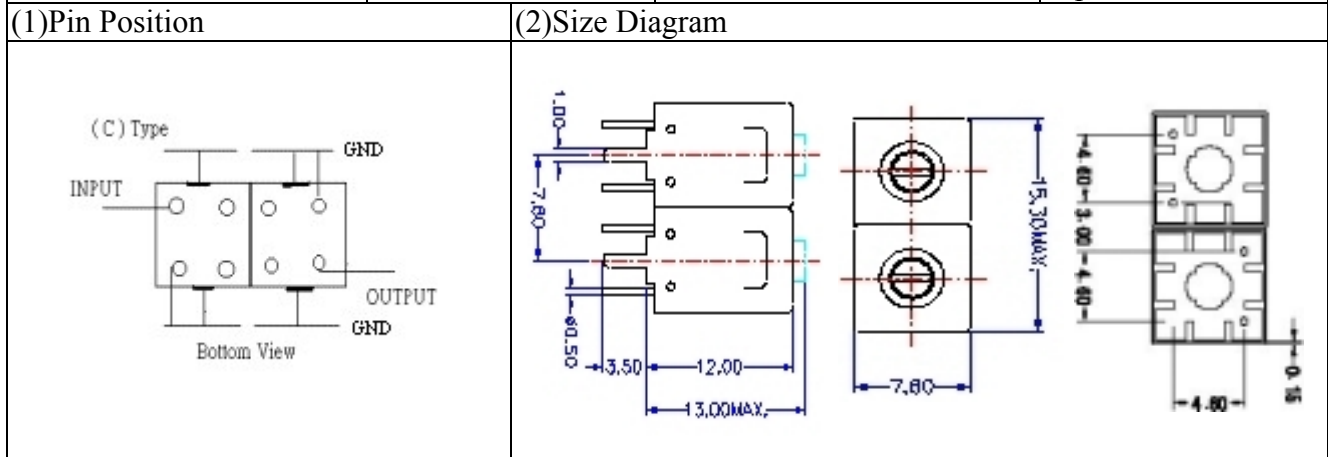
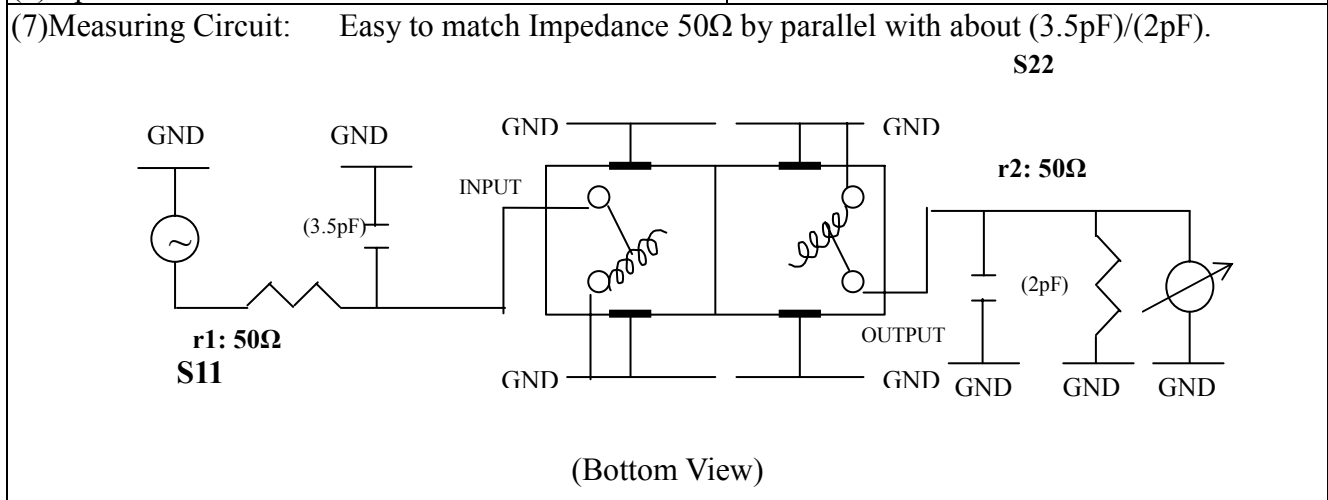


VHF UHF Helical Filter Specification Sheet

Customer Name		Temwell's Part No.	TD6746C-440M
Approval No. /dated	0709016APR	Temwell's Print Name	6746C 440M
Work Instruction No.	0709016C	Date	Sep.20.2007



(3) Electric Characteristic	
Item	Specify
Center Freq.(Fo) +/- 0.5 %	440 MHz
Tunable Range:	440±5 MHz
Insertion Loss	Typ. 2.5 dB
-3 dB Bandwidth	Typ. 13 MHz
Sensitivity (Attenuation)	Fo - 50 MHz Typ. 35 dBc
	Fo + 50 MHz Typ. 24 dBc
	Fo - ()MHz Typ. dBc
	Fo +()MHz Typ. dBc
Return Loss	Min. 12 dB
Ripple	< 1 dB
Impedance	In / Out : 50 Ω
(4) Torque for Tuning Screw	> 100gf cm
(5) Temperature Condition:	
Operating Temperature	0 ~ +60
Storage Temperature	-20 ~ +70
(6) Input Power	> 1Watt

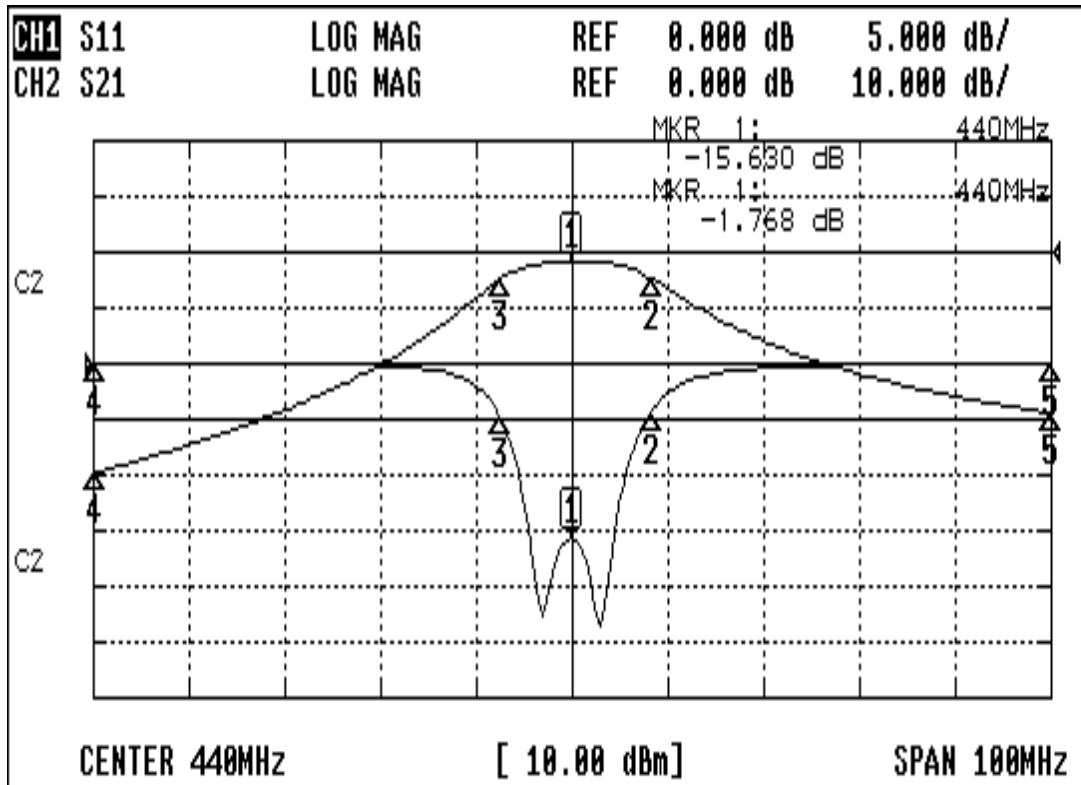


Approval C.Y.Chang	Supervisor C.S.Chang	Designer P.H.Chiang	Aperture size 7H2S(4*5.35) 7H046RB4
-----------------------	-------------------------	------------------------	---

TEMWELL CORPORATION

Performance-TD6746C-440M

0709016C



CH1 MARKER LIST

1:	440.000MHz	-15.630 dB
2:	448.250MHz	-4.353 dB
3:	432.583MHz	-4.780 dB
4:	390.000MHz	0.027 dB
5:	490.000MHz	0.014 dB
6:		
7:		
8:		
9:		
10:		

CH2 MARKER LIST

1:	440.000MHz	-1.768 dB
2:	448.250MHz	-4.699 dB
3:	432.583MHz	-4.771 dB
4:	390.000MHz	-39.644 dB
5:	490.000MHz	-28.799 dB
6:		
7:		
8:		
9:		
10:		