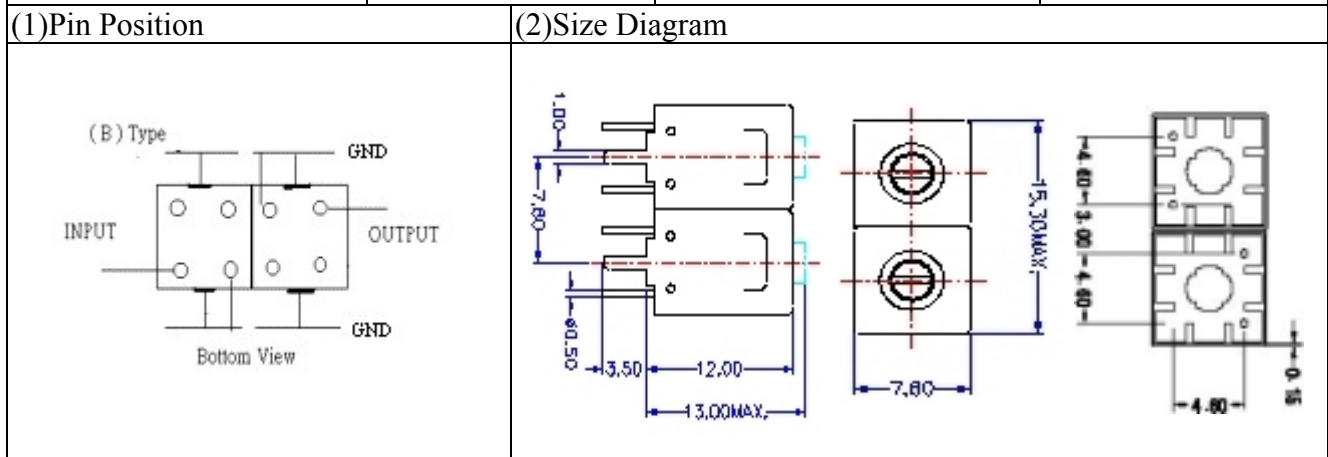


VHF UHF Helical Filter Specification Sheet

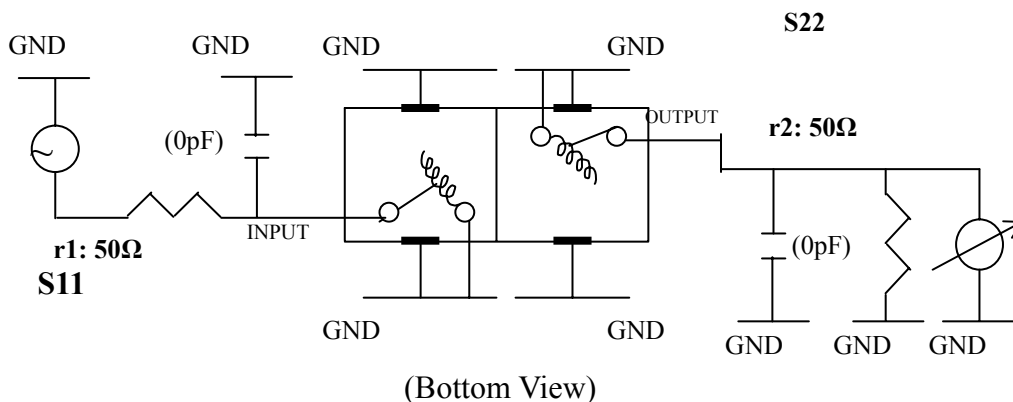
Customer Name		Temwell's Part No.	TD6746B-460M
Approval No. /dated	0811041APR	Customer's Part No.	6746B 460M
Work Instruction No.	200811041CD	Date	Nov.07.2008



(3)Electric Charasteric

Item	Specify
Center Freq.(Fo) +/- 0.5 %	460 MHz
Tunable Range:	460±5 MHz
Insertion Loss	Typ. 2.5 dB
-3 dB Bandwidth	Typ. 10 MHz
Sensitivity (Attenuation)	Fo - 50 MHz Typ. 42 dBc
	Fo + 50 MHz Typ. 26 dBc
	Fo - ()MHz Typ. dBc
	Fo +()MHz Typ. dBc
Return Loss	Min. 12 dB
Ripple	< 1 dB
Impedance	In / Out : 50 Ω
(4)Torque for Tuning Screw	> 100gf cm
(5)Temperature Condition:	
Operating Temperature	0 ~ +60
Storage Temperature	-60 ~ +70
(6)Input Power	> 1Watt

(7)Measuring Circuit: Easy to match Impedance S11/S22 50Ω by parallel with about (0) pF.

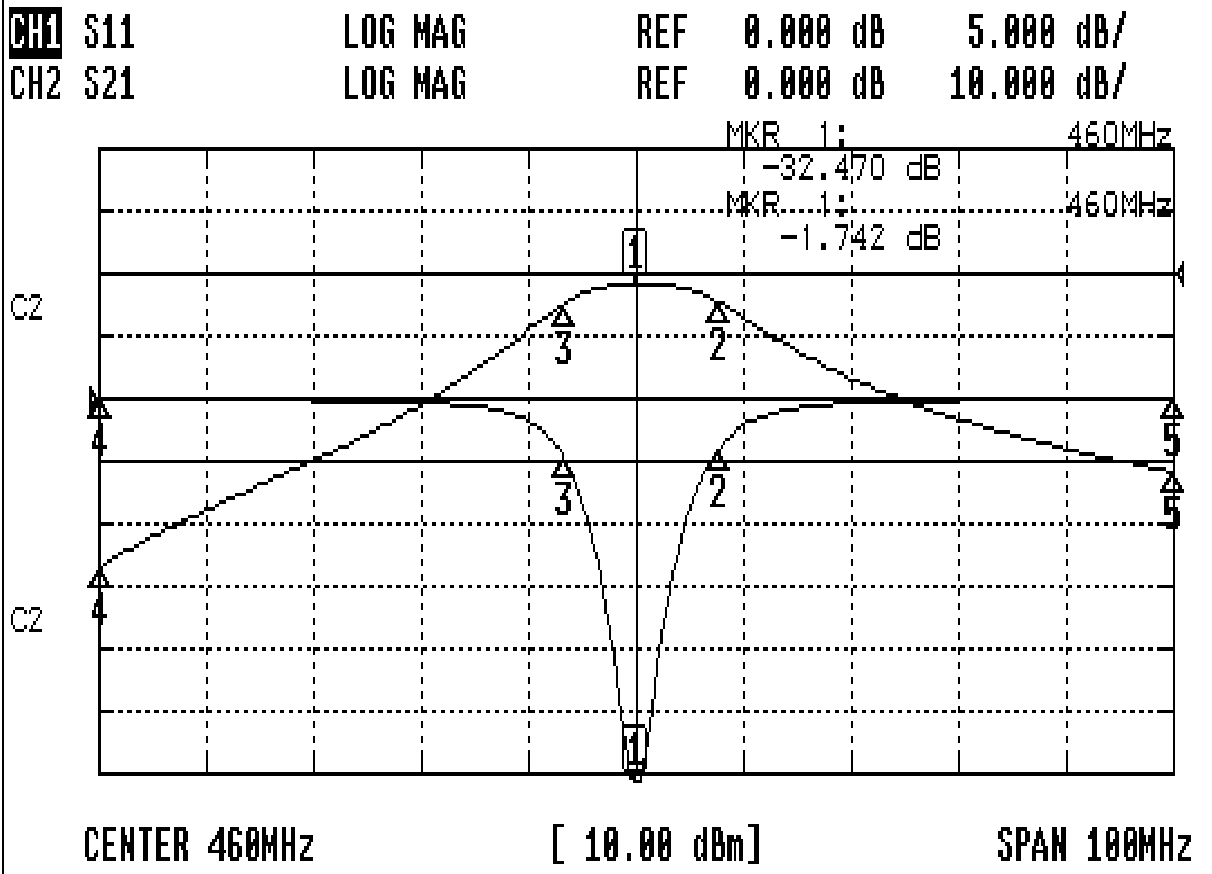


Approval	Supervisor	Designer	Aperture size
C.Y.Chang	C.S.Chang	P.H.Chiang	7H2(4*5.35F) (7H046RB4)

TEMWELL CORPORATION

Performance-TD6746B-460M

200811041CD



CH1 MARKER LIST

1:	460.000MHz	-32.505 dB
2:	467.750MHz	-3.981 dB
3:	453.416MHz	-4.862 dB
4:	410.000MHz	-0.081 dB
5:	510.000MHz	-0.069 dB

CH2 MARKER LIST

1:	460.000MHz	-1.742 dB
2:	467.750MHz	-4.706 dB
3:	453.416MHz	-4.717 dB
4:	410.000MHz	-46.917 dB
5:	510.000MHz	-31.683 dB