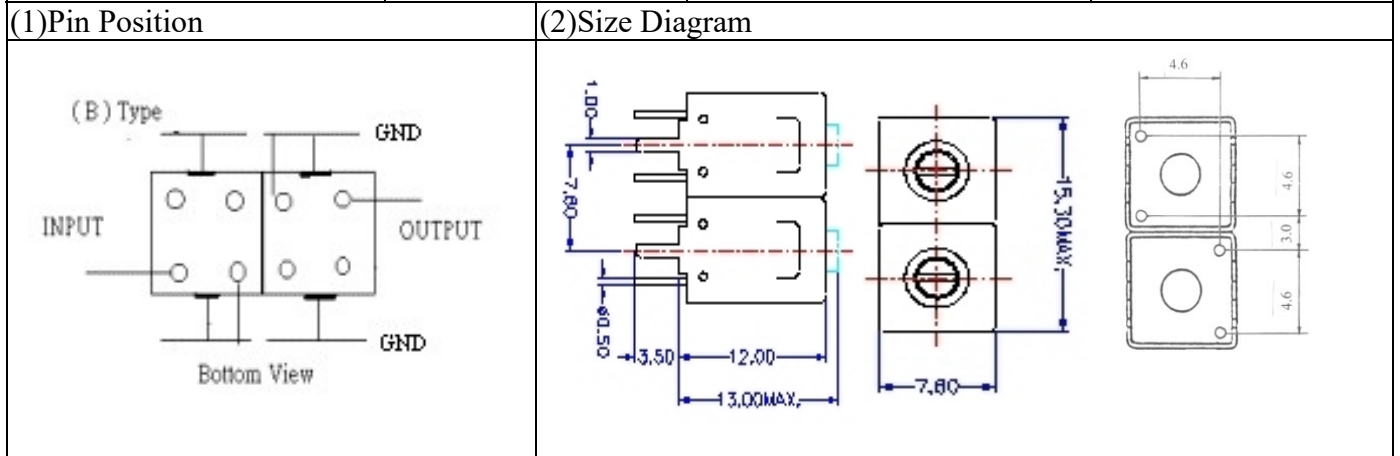


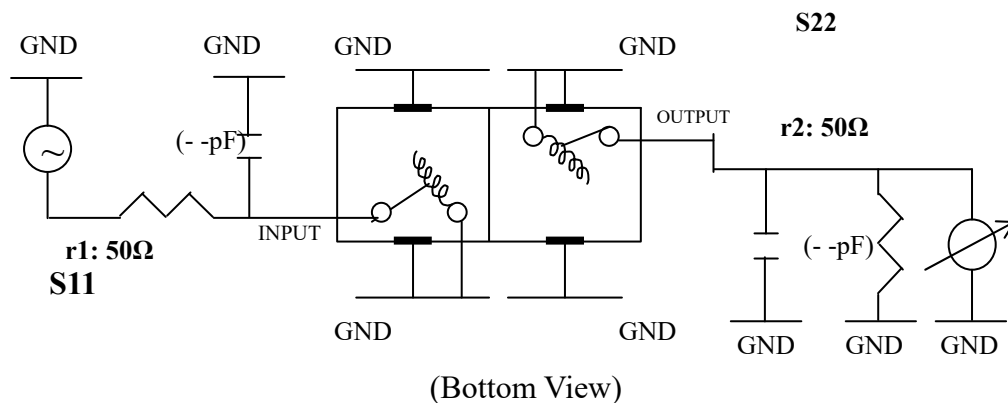
VHF UHF Helical Filter Specification Sheet

Customer Name		Temwell's Part No.	TD6744B-413M
Approval No. /dated		Temwell's Print Name	6744B 413M
Work Instruction No.	201510025A	Date	Nov.09.2015



(3) Electric Characteristic	
Item	Specify
Center Freq.(Fo) +/- 0.5 %	413 MHz
Insertion Loss	Typ. 2.5 dB
-3 dB Bandwidth	Typ. 12 MHz
Sensitivity (Attenuation)	Fo - 50 MHz Typ. 41 dBc
	Fo + 50 MHz Typ. 27 dBc
	Fo - ()MHz Typ. dBc
	Fo +()MHz Typ. dBc
Return Loss	Min. 12 dB
Ripple	< 1 dB
Impedance	In / Out : 50 Ω
(4) Torque for Tuning Screw	> 100gf · cm
(5) Temperature Condition:	
Operating Temperature	0°C ~ +60°C
Storage Temperature	-20°C ~ +70°C
(6) Input Power	> 1Watt

(7) Measuring Circuit: ※Easy to match Impedance S11/S22 50Ω/ by parallel with about (- -) pF.

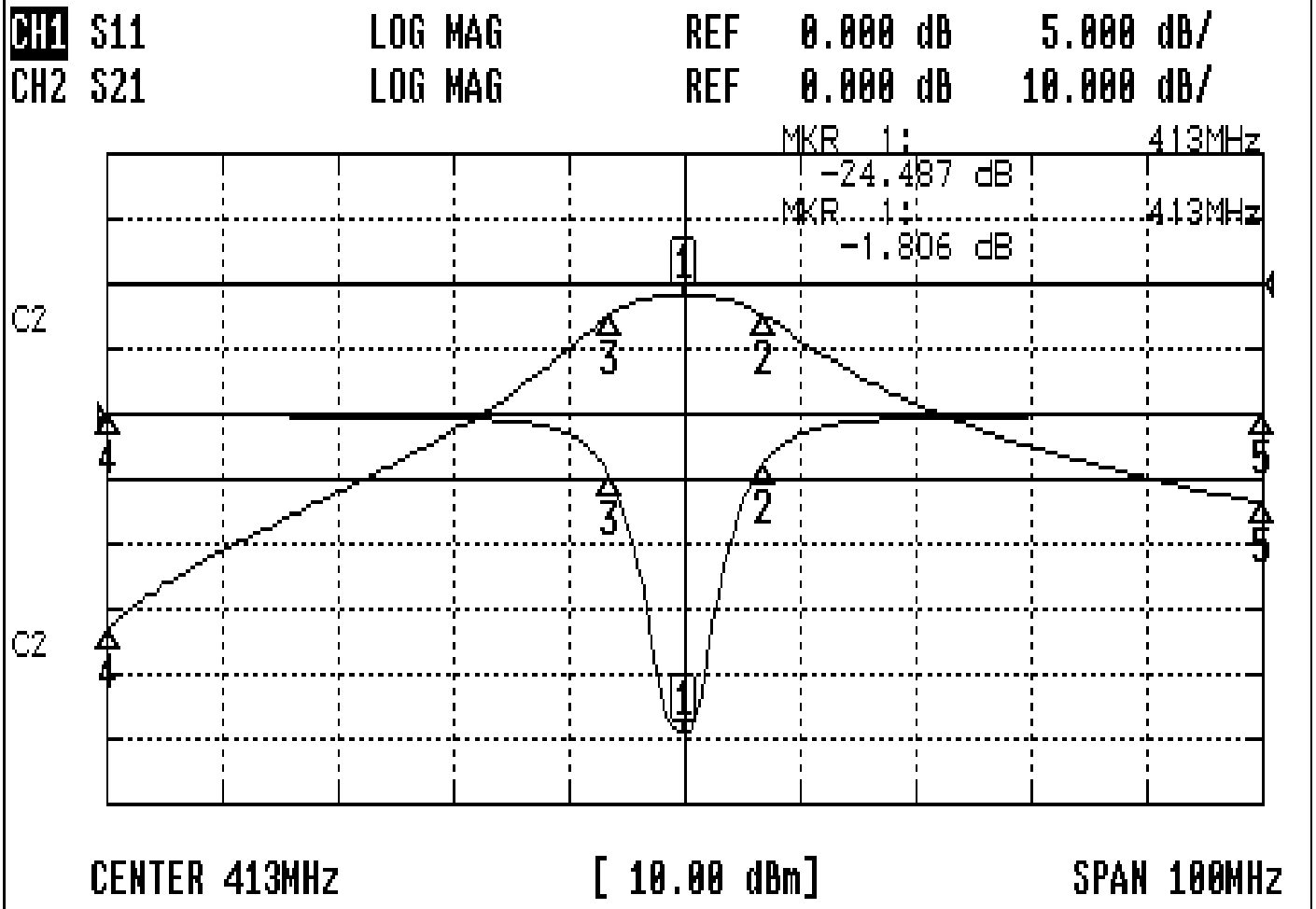


Approval	Supervisor	Designer	Aperture size
C.Y.Chang	C.K.Chang	C.H.Yeh	7H2S(4*5.5)(5.60) 7H046RB4

TEMWELL CORPORATION

Performance-TD6744B-413M

201510025A



CH1 MARKER LIST

1	413.000MHz	-24.493	dB
2	419.833MHz	-3.886	dB
3	406.500MHz	-4.697	dB
4	363.000MHz	-0.120	dB
5	463.000MHz	-0.084	dB
6			
7			
8			
9			
10			

CH2 MARKER LIST

1	413.000MHz	-1.806	dB
2	419.833MHz	-4.832	dB
3	406.500MHz	-4.899	dB
4	363.000MHz	-3.524	dB
5	463.000MHz	-3.755	dB
6			
7			
8			
9			
10			