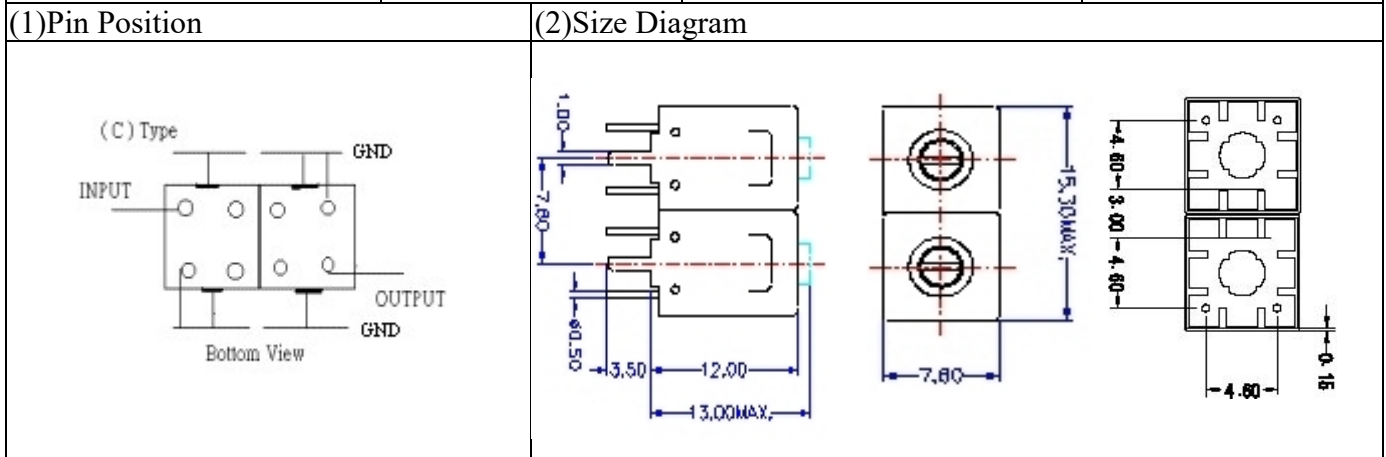
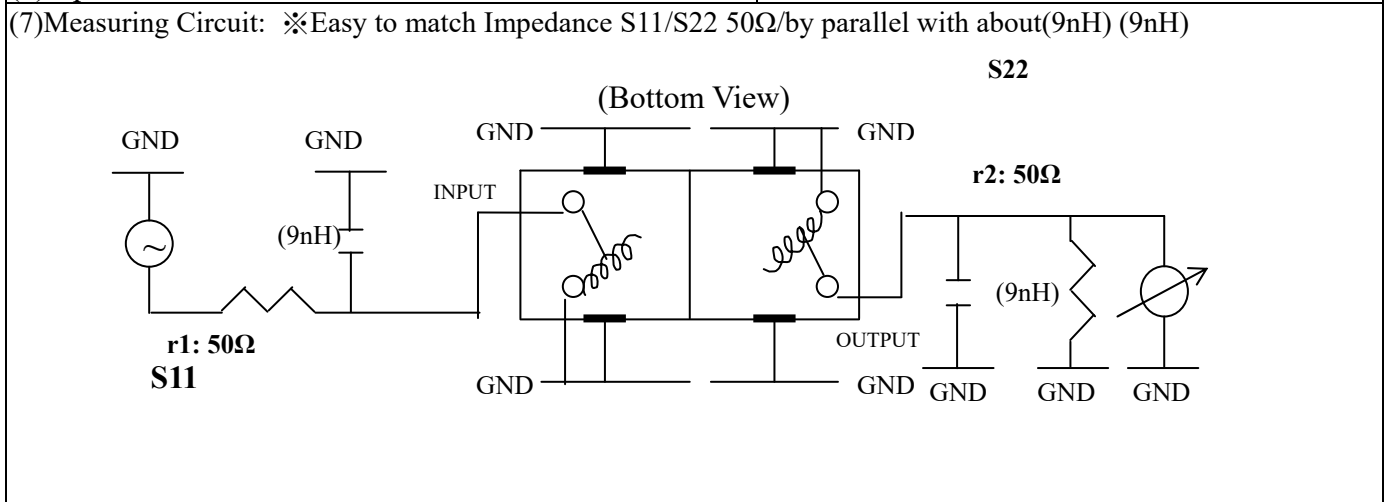


VHF UHF Helical Filter Specification Sheet

| | | | |
|----------------------|------------|-----------------------|---------------|
| Customer Name | | Temwell's Part No. | TD6741C-342M |
| Approval No. /dated | | Temwell's Print Name. | 6741C 342M |
| Work Instruction No. | 201203001A | Date | Mar.20.2012 |



| (3) Electric Chararistic | |
|------------------------------|-------------------------|
| Item | Specify |
| Center Freq.(Fo) +/- 0.5 % | 342 MHz |
| Insertion Loss | Typ. 2.5 dB |
| -3 dB Bandwidth | Typ. 13 MHz |
| Sensitivity (Attenuation) | Fo - 50 MHz Typ. 20 dBc |
| | Fo + 50 MHz Typ. 31 dBc |
| | Fo - ()MHz Typ. dBc |
| | Fo +()MHz Typ. dBc |
| Return Loss | Min. 12 dB |
| Ripple | < 1 dB |
| Impedance | In / Out : 50 Ω |
| (4) Torque for Tuning Screw | > 100gf · cm |
| (5) Temperature Condition: | |
| Operating Temperature | 0°C ~ +60°C |
| Storage Temperature | -20°C ~ +70°C |
| (6) Input Power | > 1 Watt |

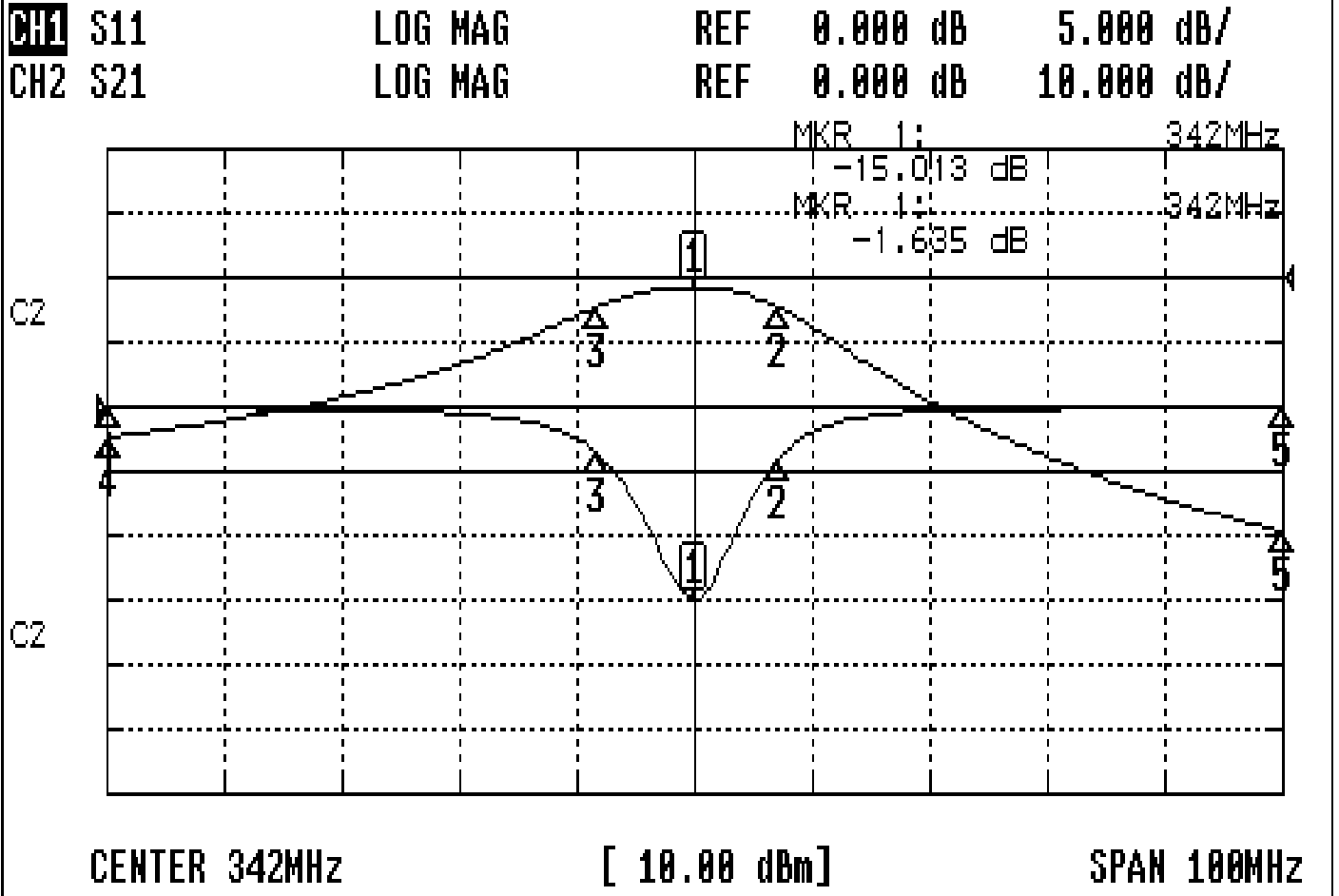


| | | | |
|-----------------------|-------------------------|----------------------|-----------------------------------------------------------|
| Approval C.Y.Chang | Supervisor C.K.Chang | Designer M.Y.Kang | Aperture size 7H2S(4*5.6)(5.69) 7H046LB4.3 聚 3 , J1 |
|-----------------------|-------------------------|----------------------|-----------------------------------------------------------|

TEMWELL CORPORATION

Performance-TD6741C-342M

201203001A



CH1 MARKER LIST

| | | | |
|---|------------|---------|----|
| 1 | 342.000MHz | -15.012 | dB |
| 2 | 349.166MHz | -4.032 | dB |
| 3 | 333.583MHz | -3.501 | dB |
| 4 | 292.000MHz | -0.115 | dB |
| 5 | 392.000MHz | -0.077 | dB |

CH2 MARKER LIST

| | | | |
|---|------------|---------|----|
| 1 | 342.000MHz | -1.635 | dB |
| 2 | 349.166MHz | -4.635 | dB |
| 3 | 333.583MHz | -4.661 | dB |
| 4 | 292.000MHz | -24.717 | dB |
| 5 | 392.000MHz | -39.488 | dB |