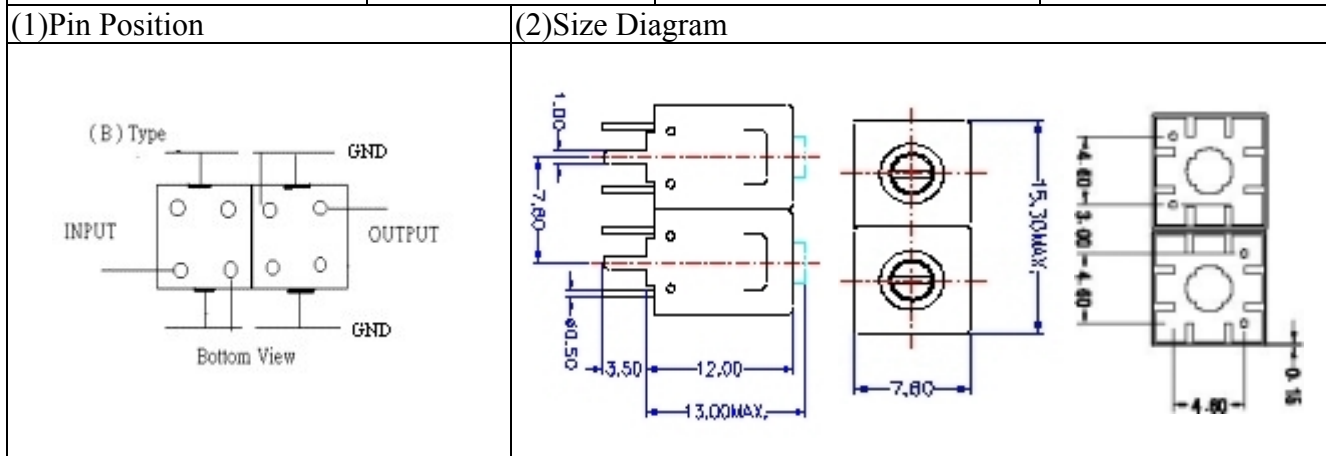
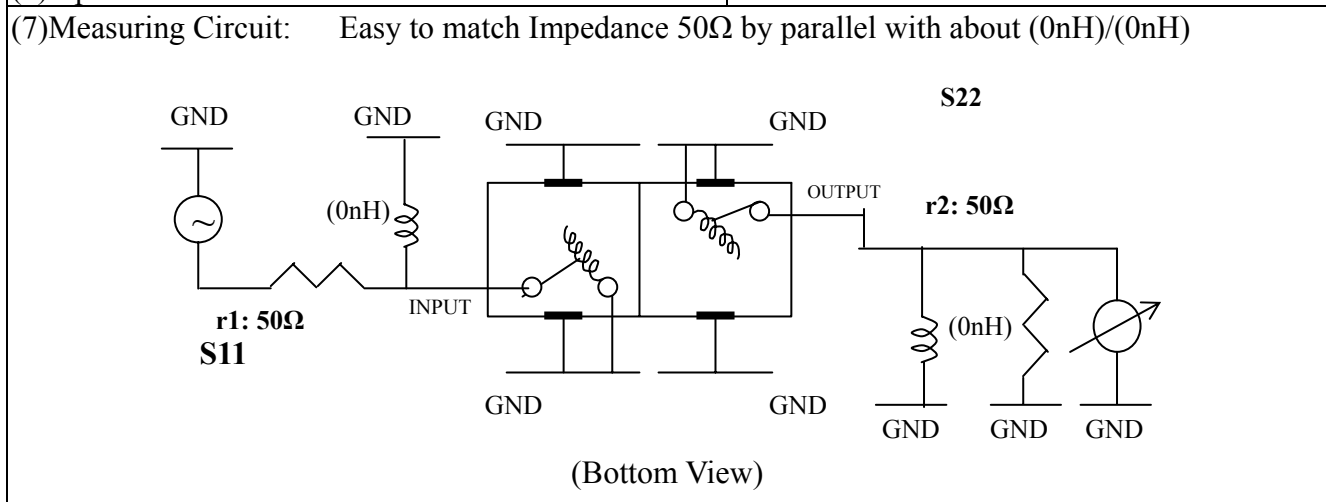


VHF UHF Helical Filter Specification Sheet

Customer Name		Temwell's Part No.	TD67417B-457M
Approval No. /dated	0609028APR	Customer's Print Name.	67417B 457M
Work Instruction No.	0701145B	Date	Jan.23.2007



(3) Electric Charasteric	
Item	Specify
Center Freq.(Fo) +/- 0.75 %	457 MHz
Tunable Range:	457±5 MHz
Insertion Loss	Typ. 1.5 dB
-3 dB Bandwidth	Typ. 44 MHz
Sensitivity (Attenuation)	Fo - 100 MHz Typ. 21 dBc
	Fo + 100 MHz Typ. 24 dBc
	Fo - ()MHz Typ. dBc
	Fo +()MHz Typ. dBc
Return Loss	Min. 12 dB
Ripple	< 1 dB
Impedance	In / Out : 50 Ω
(4) Torque for Tuning Screw	> 100gf cm
(5) Temperature Condition:	
Operating Temperature	-30 ~ +70
Storage Temperature	-30 ~ +80
(6) Input Power	> 1Watt

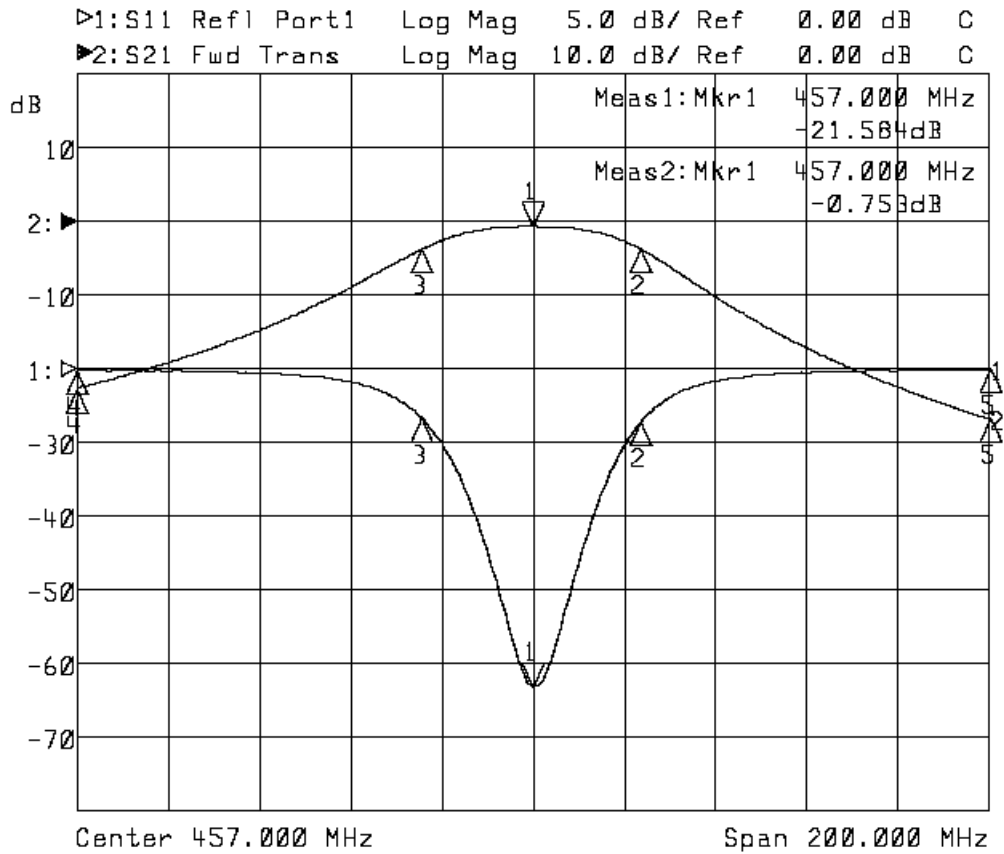


Approval	Supervisor	Designer	Aperture size
C.Y.Chang	C.S.Chang	K.M.Yin	7H2S(4*7.5)F 7H046LB5

TEMWELL CORPORATION

Performance-TD67417B-457M

0701145B



1: Mkr (MHz)	dB	2: Mkr (MHz)	dB
1> 457.0000	-21.584	1> 457.0000	-0.753
2: 480.6000	-3.644	2: 480.6000	-3.750
3: 432.6000	-3.348	3: 432.6000	-3.792
4: 357.0000	-0.098	4: 357.0000	-22.641
5: 557.0000	-0.062	5: 557.0000	-26.832