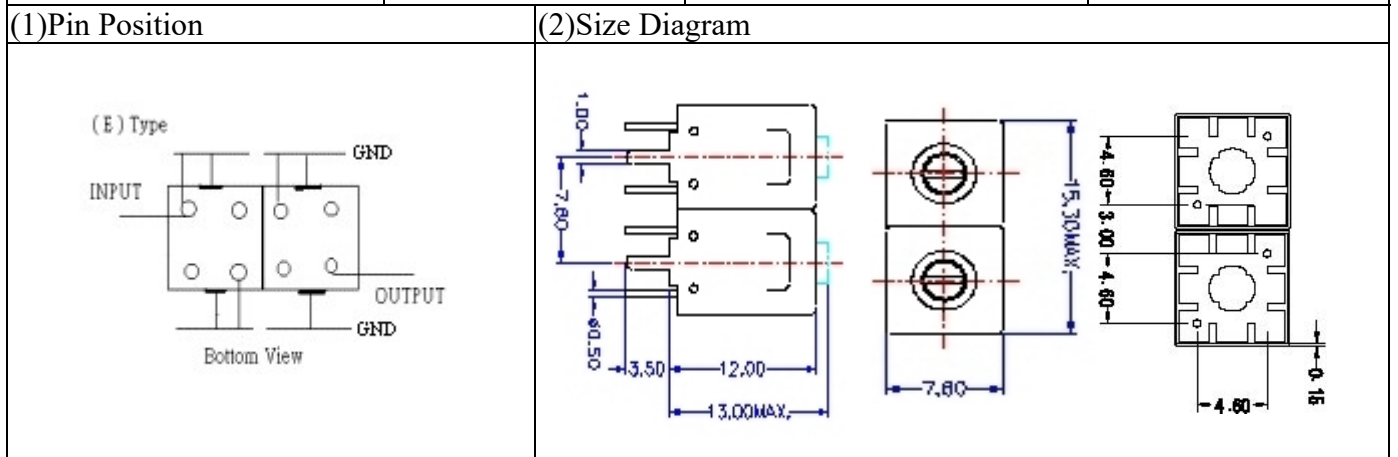


VHF UHF Helical Filter Specification Sheet

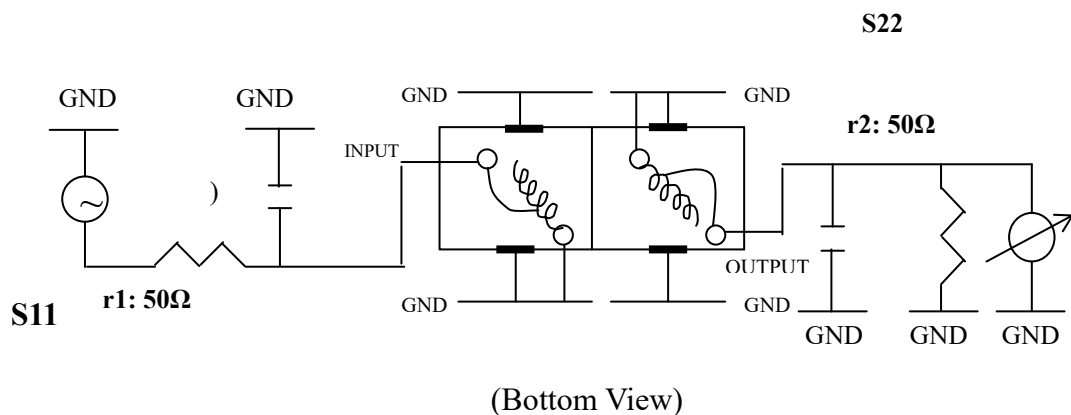
Customer Name		Temwell's Part No.	TD6740E-345M
Approval No. /dated		Temwell's Print Name.	
Work Instruction No.	201906026C	Date	Jul.07.2017



(3) Electric Chararctic

Item	Specify
Center Freq.(Fo) +/- 0.5 %	345 MHz
Insertion Loss	Typ. 2.5 dB
-3 dB Bandwidth	Typ. 10 MHz
Sensitivity (Attenuation)	Fo - 50 MHz Typ. 21 dBc
	Fo + 50 MHz Typ. 30 dBc
	Fo - ()MHz Typ. dBc
	Fo +()MHz Typ. dBc
Return Loss	Min. 12 dB
Ripple	< 1 dB
Impedance	In / Out : 50 Ω
(4) Torque for Tuning Screw	> 100gf • cm
(5) Temperature Condition:	
Operating Temperature	0°C ~ +60°C
Storage Temperature	-20°C ~ +70°C
(6) Input Power	> 1 Watt

(7) Measuring Circuit: ※Easy to match Impedance 50Ω by parallel with about (--) pF (--) pF

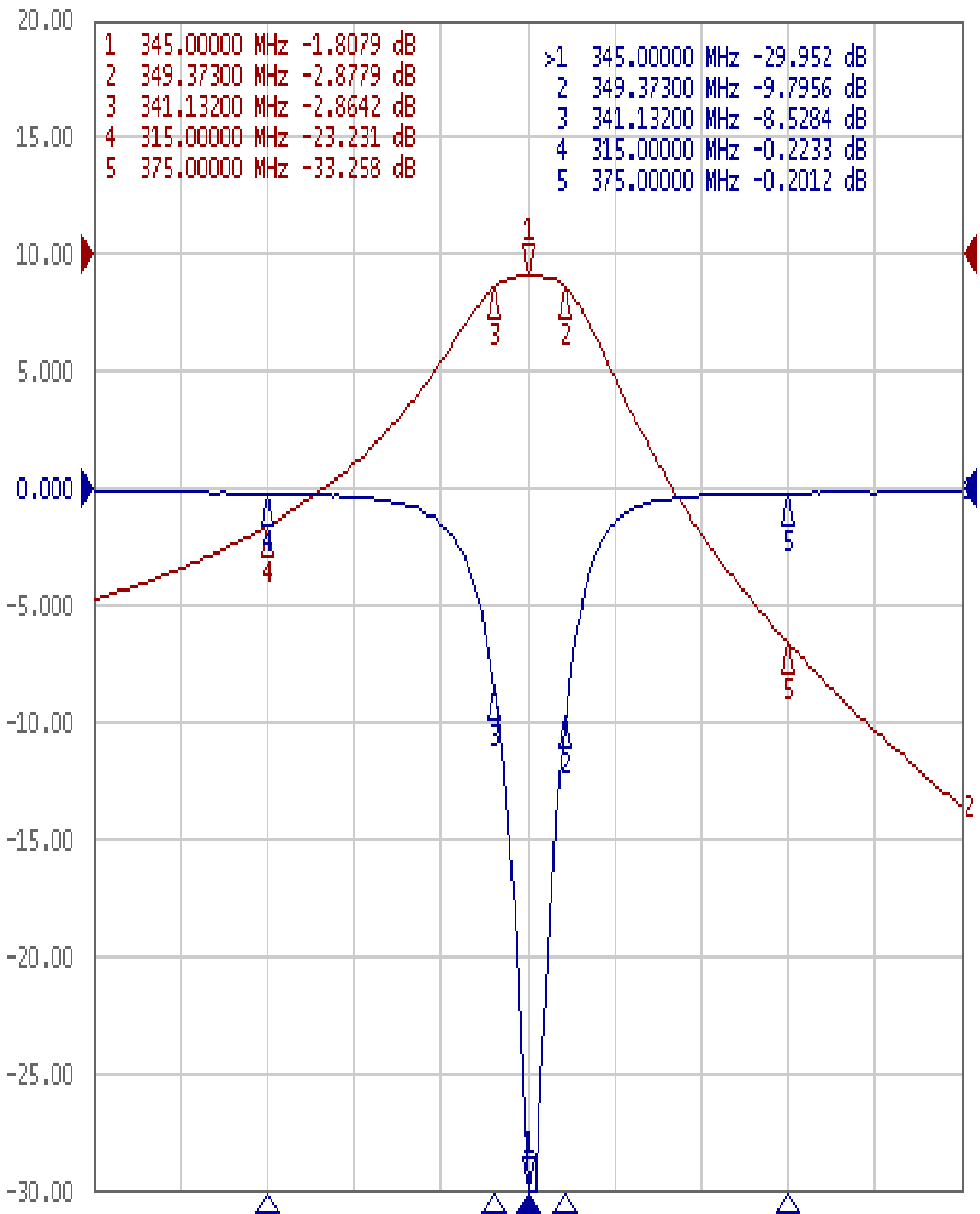


Approval	Supervisor	Designer	Aperture size
C.Y.Chang	C.K.Chang	C.S.Chang	7H2S(4*5.6)(5.63) 7H046LB4.3 聚 3
TEMWELL CORPORATION			

Performance-TD6740E-345M

201906026C

Tr1 S11 Log Mag 5.000dB/ Ref 0.000dB [F2]
Tr2 S21 Log Mag 10.00dB/ Ref 0.000dB [F2]



1 Center 345 MHz

IFBW 70 kHz

Span 100 MHz

Cor !