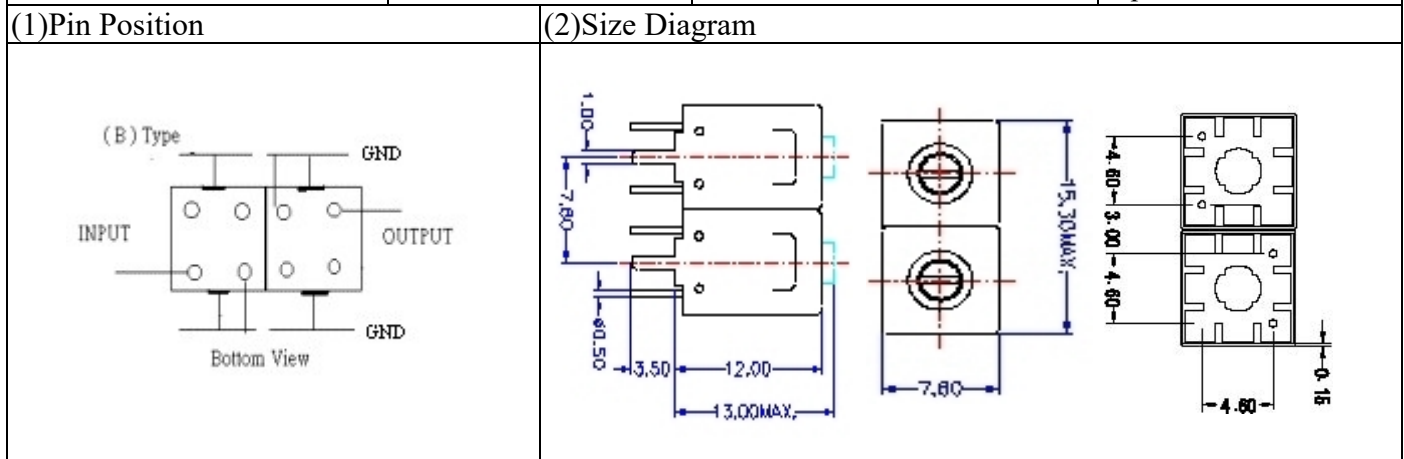


VHF UHF Helical Filter Specification Sheet

Customer Name		Temwell's Part No.	TD6740B-310M
Approval No. /dated	0709008APR	Temwell's Print Name.	6740B 310M
Work Instruction No.	0709008C	Date	Sep.19.2007



(3) Electric Characteristic

Item	Specify
Center Freq.(Fo) +/- 0.5%	310 MHz
Tunable Range:	310±8 MHz
Insertion Loss	Typ. 4.5 dB
-3 dB Bandwidth	Typ. 5 MHz
Sensitivity (Attenuation)	Fo - 37 MHz Typ. 45 dBc
	Fo + 43 MHz Typ. 32 dBc
	Fo -() MHz Typ. dBc
	Fo +()MHz Typ. dBc
Return Loss	Min. 12 dB
Ripple	< 1 dB
Impedance	In / Out : 50 Ω

(4) Torque for Tuning Screw

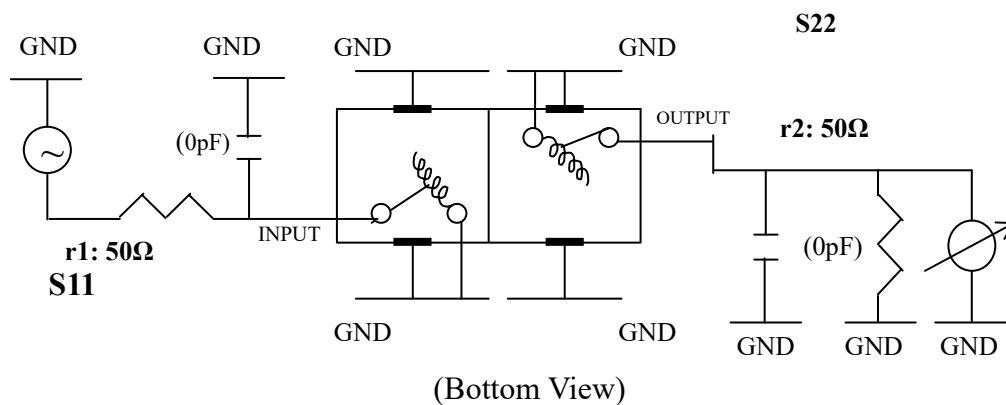
(5) Temperature Condition:

Operating Temperature 0°C ~ +60°C

Storage Temperature -20°C ~ +70°C

(6) Input Power > 1Watt

(7) Measuring Circuit: ※Easy to match Impedance 50Ω by parallel with about (0pF)/(0pF).



Approval	Supervisor	Designer	Aperture size
C.Y.Chang	C.S.Chang	P.H.Chiang	7H2S(4*5.35)F

TEMWELL CORPORATION

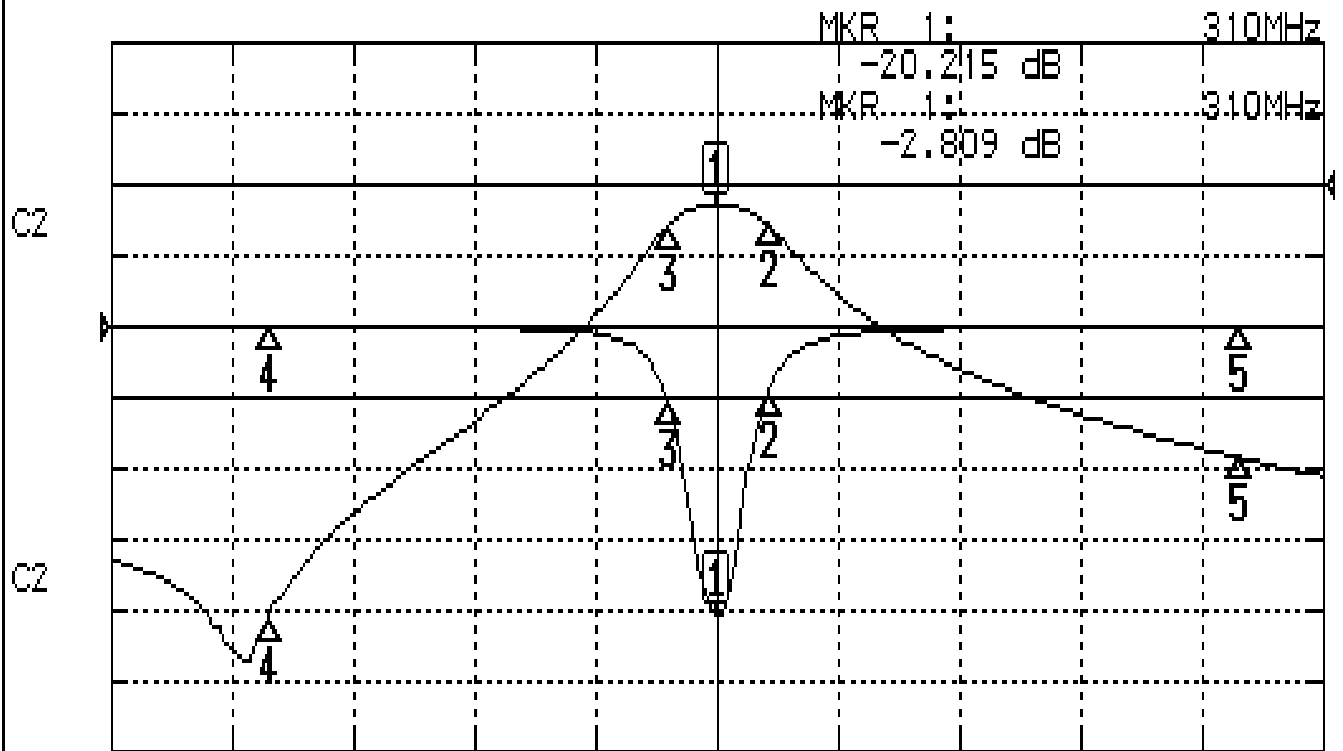
TEMWELL

Form10-7H2B Vision D RP.(K.M.Y)

Performance-TD6740B-310M

0709008C

CH1 S11 LOG MAG REF 0.000 dB 5.000 dB/
CH2 S21 LOG MAG REF 0.000 dB 10.000 dB/



CENTER 310MHz

[10.00 dBm]

SPAN 100MHz

CH1 MARKER LIST

Marker	Frequency (MHz)	Magnitude (dB)
1	310.000	-20.206
2	314.333	-4.509
3	306.000	-5.170
4	273.000	-0.011
5	353.000	-0.006

CH2 MARKER LIST

Marker	Frequency (MHz)	Magnitude (dB)
1	310.000	-2.809
2	314.333	1.105
3	306.000	1.793
4	273.000	-1.172
5	353.000	-38.376