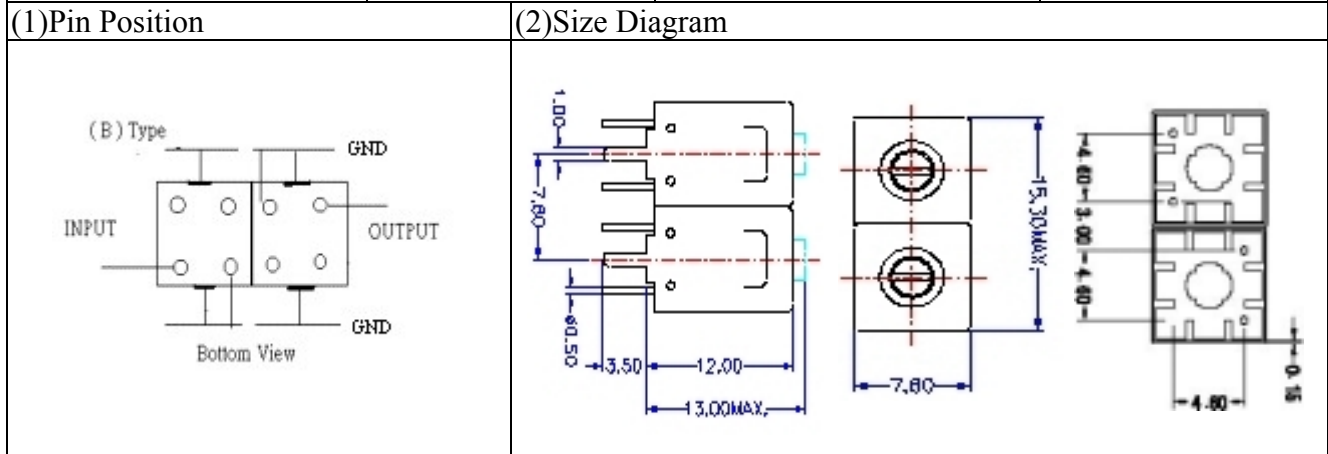


VHF UHF Helical Filter Specification Sheet

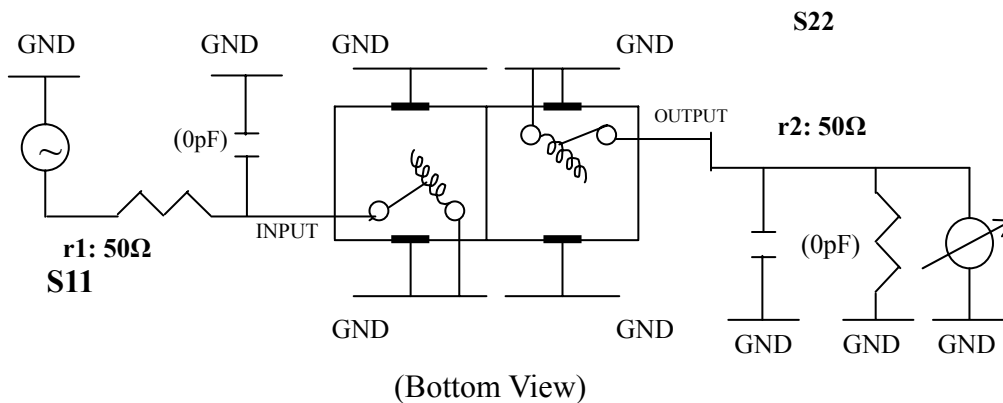
Customer Name		Temwell's Part No.	TD67390B-156.8M
Approval No. /dated	0709023APR	Temwell's Print Name.	67390B 156.8M
Work Instruction No.	0709023C	Date	Sep.19.2007



(3)Electric Charasteric

Item	Specify
Center Freq.(Fo) +/- 0.5%	156.8 MHz
Tunable Range:	156.8±2 MHz
Insertion Loss	Typ. 2.5 dB
-3 dB Bandwidth	Typ. 18 MHz
Sensitivity (Attenuation)	Fo - 50 MHz Typ. 21 dBc
	Fo + 50 MHz Typ. 24 dBc
	Fo -() MHz Typ. dBc
	Fo +()MHz Typ. dBc
Return Loss	Min. 12 dB
Ripple	< 1 dB
Impedance	In / Out : 50 Ω
(4)Torque for Tuning Screw	>100gf · cm
(5)Temperature Condition:	
Operating Temperature	0 ~ +60
Storage Temperature	-20 ~ +70
(6)Input Power	> 1Watt

(7)Measuring Circuit: Easy to match Impedance 50Ω by parallel with about (0pF)/(0pF).

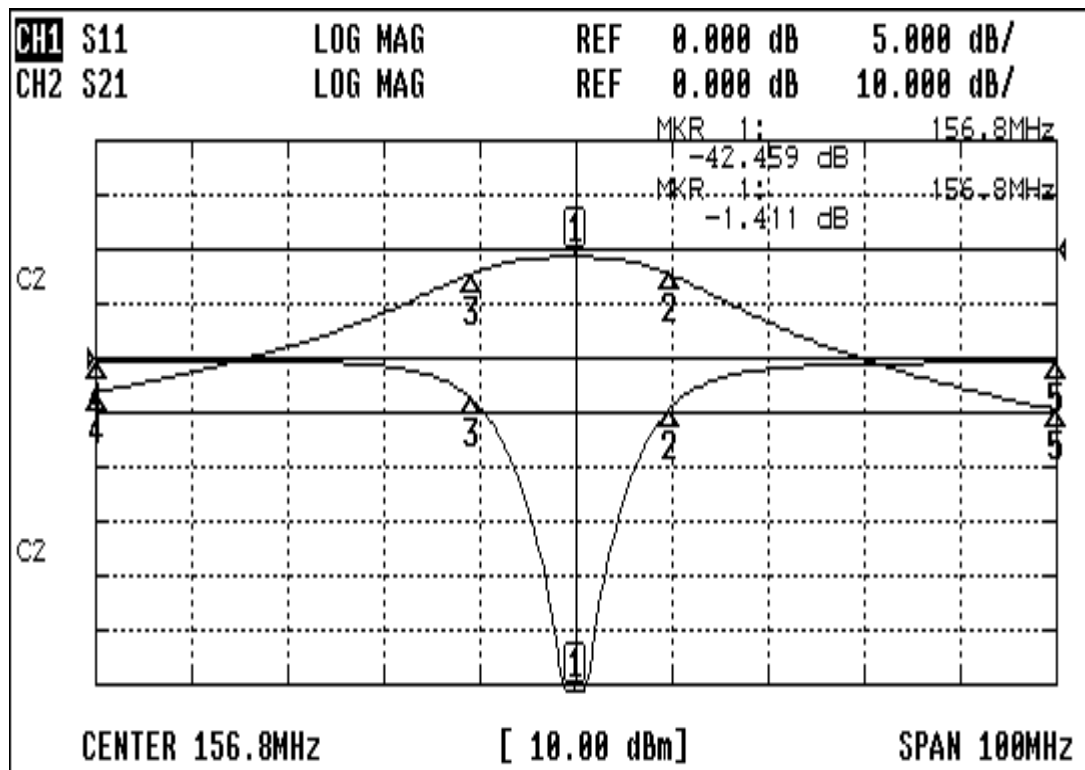


Approval C.Y.Chang	Supervisor C.S.Chang	Designer P.H.Chiang	Aperture size 7H2S(4*4.65)F 7H00RB6
-----------------------	-------------------------	------------------------	---

TEMWELL CORPORATION

Performance-TD67390B-156.8M

0709023C



CH1 MARKER LIST

1:	156.800MHz	-42.459 dB
2:	166.550MHz	-4.721 dB
3:	145.966MHz	-3.704 dB
4:	106.800MHz	-0.160 dB
5:	206.800MHz	-0.342 dB

CH2 MARKER LIST

1:	156.800MHz	-1.411 dB
2:	166.550MHz	-4.473 dB
3:	145.966MHz	-4.436 dB
4:	106.800MHz	-26.233 dB
5:	206.800MHz	-29.438 dB