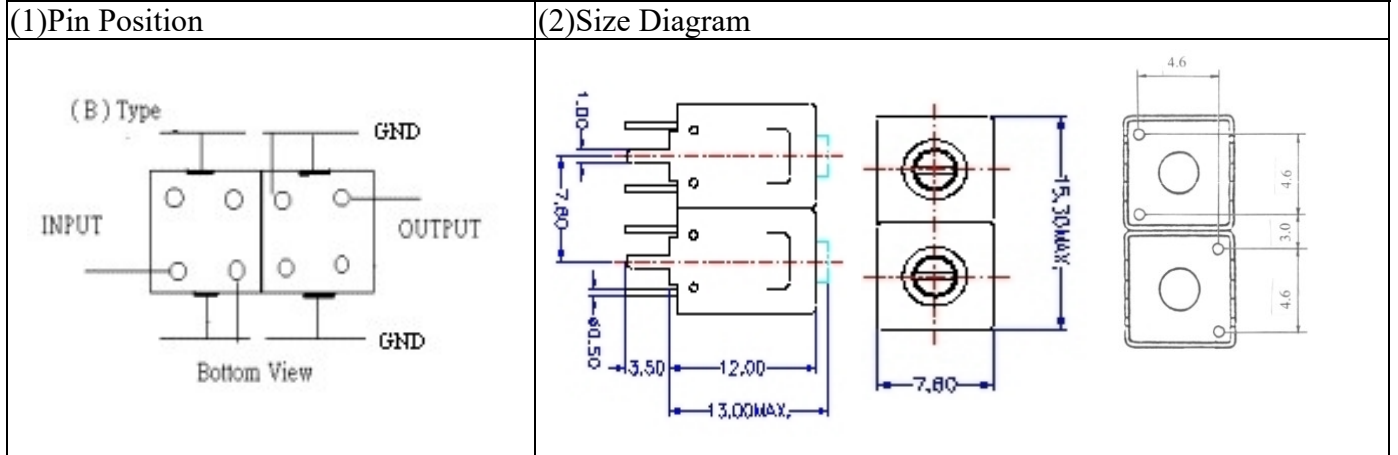


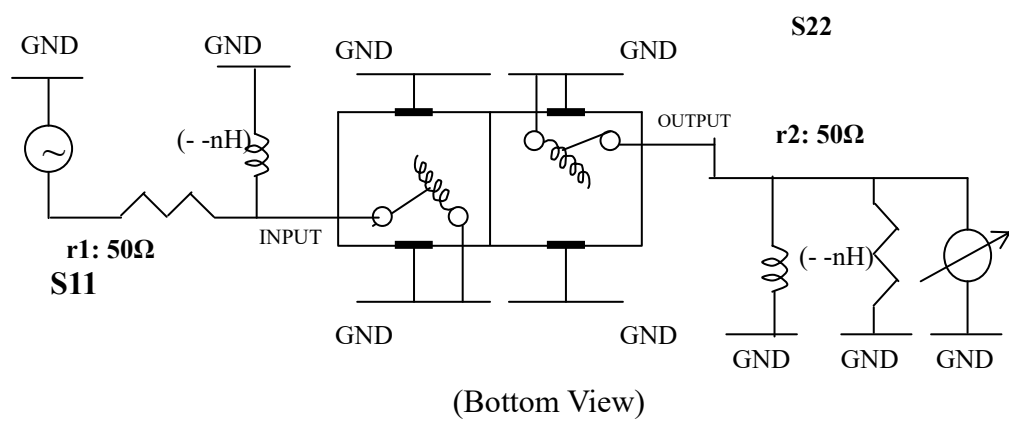
VHF UHF Helical Filter Specification Sheet

Customer Name		Temwell's Part No.	TD6736B-270M
Approval No. /dated		Temwell's Print Name	6736B 270M
Work Instruction No.	201706035A	Date	Jul.12.2017



(3) Electric Character		Item	Specify
		Center Freq.(Fo) +/- 0.5 %	270 MHz
		Insertion Loss	Typ. 2.5 dB
		-3 dB Bandwidth	Typ. 10 MHz
Sensitivity (Attenuation)	Fo - 50 MHz	Typ.	27 dBc
	Fo + 50 MHz	Typ.	40 dBc
	Fo - ()MHz	Typ.	dBc
	Fo +()MHz	Typ.	dBc
		Return Loss	Min. 12 dB
		Ripple	< 1 dB
		Impedance	In / Out : 50 Ω
(4) Torque for Tuning Screw		> 60gf · cm	
(5) Temperature Condition:			
Operating Temperature		-30°C ~ +70°C	
Storage Temperature		-30°C ~ +80°C	
(6) Input Power		> 1 Watt	

(7) Measuring Circuit: ※Easy to match Impedance 50Ω by parallel with about (- -) nH / (- -) nH



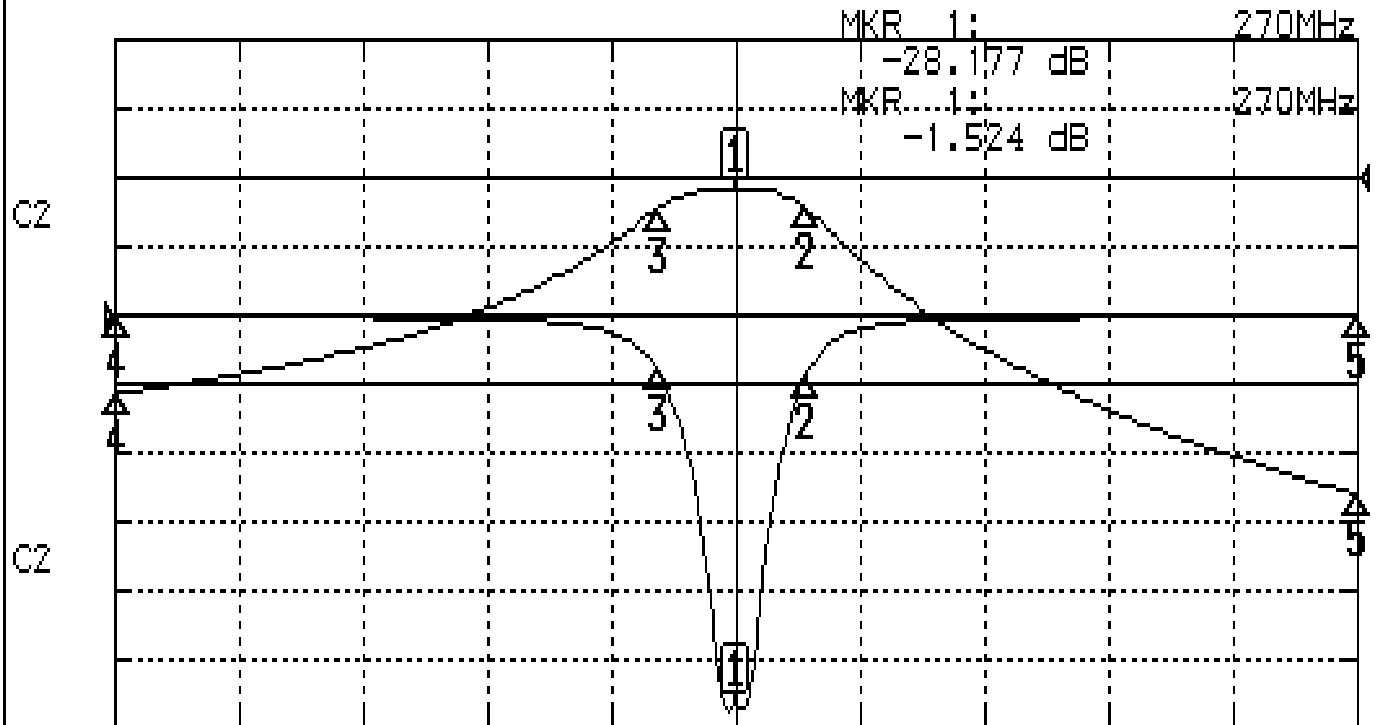
Approval C.Y.Chang	Supervisor C.K.Chang	Designer M.Y.Kang	Aperture size 7H2S(4*5.5)(5.58) 7H024LB4
-----------------------	-------------------------	----------------------	--

TEMWELL CORPORATION

Performance-TD6736B-270M

201706035A

CH1 S11 LOG MAG REF 0.000 dB 5.000 dB/
CH2 S21 LOG MAG REF 0.000 dB 10.000 dB/



CENTER 270MHz

[10.00 dBm]

SPAN 100MHz

CH1 MARKER LIST

1:	270.000MHz	-28.177 dB
2:	275.666MHz	-4.465 dB
3:	263.750MHz	-4.035 dB
4:	220.000MHz	-0.096 dB
5:	320.000MHz	-0.105 dB

CH2 MARKER LIST

1:	270.000MHz	-1.523 dB
2:	275.666MHz	-4.510 dB
3:	263.750MHz	-4.510 dB
4:	220.000MHz	-31.454 dB
5:	320.000MHz	-45.825 dB