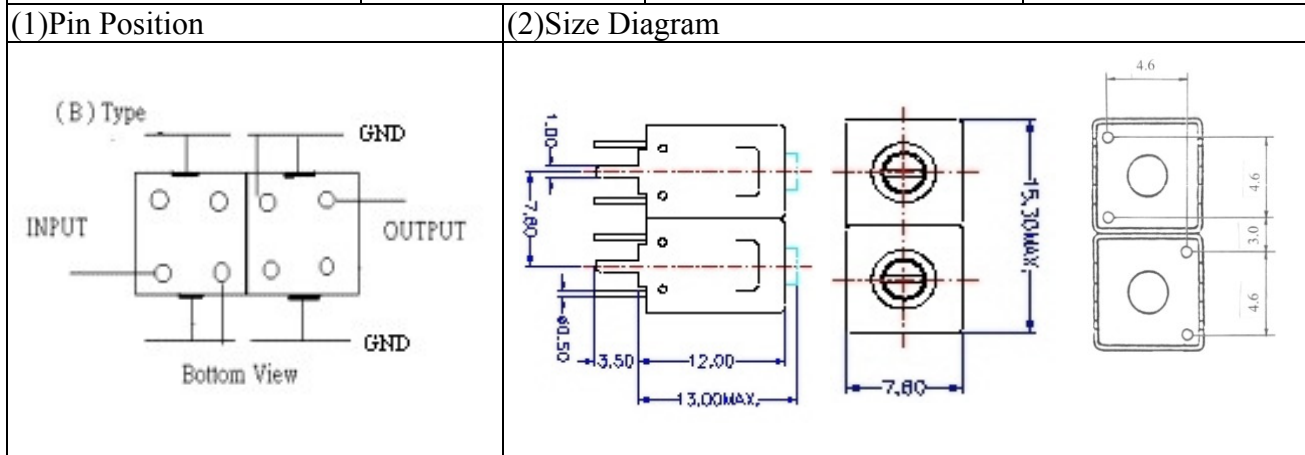
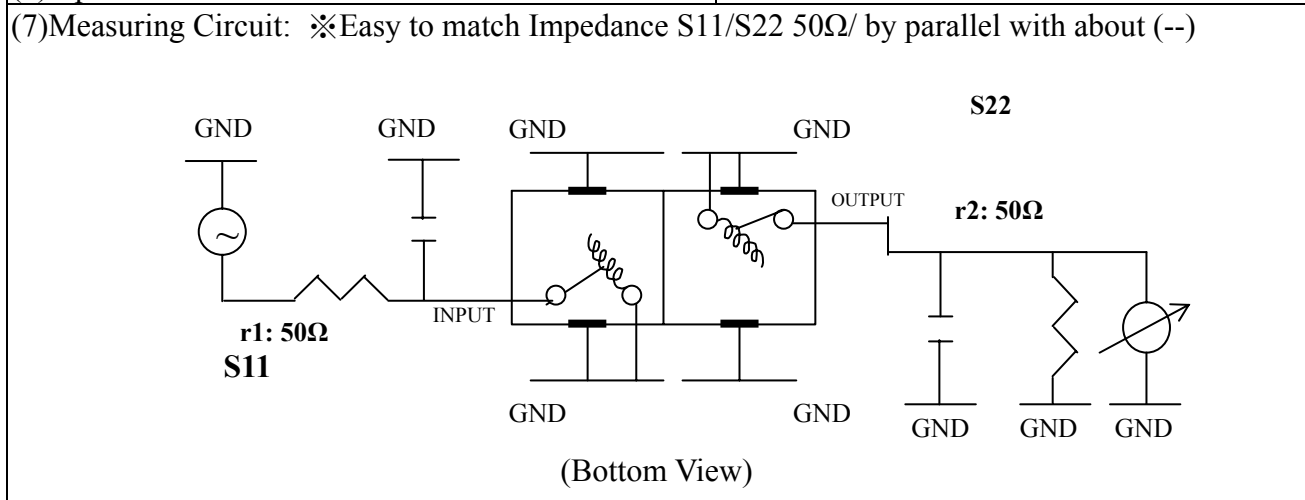


VHF UHF Helical Filter Specification Sheet

Customer Name		Temwell's Part No.	TD6736B-265M
Approval No. /dated		Temwell's Print Name	6736B 265M
Work Instruction No.	201202013A	Date	Feb.16.2012



(3) Electric Characteristic	
Item	Specify
Center Freq.(Fo) +/- 0.5 %	265 MHz
Insertion Loss	Typ. 2.5 dB
-3 dB Bandwidth	Typ. 10 MHz
Sensitivity (Attenuation)	Fo - 50 MHz Typ. 25 dBc
	Fo + 50 MHz Typ. 40 dBc
	Fo - ()MHz Typ. dBc
	Fo + ()MHz Typ. dBc
Return Loss	Min. 12 dB
Ripple	< 1 dB
Impedance	In / Out : 50 Ω
(4) Torque for Tuning Screw	>60gf · cm
(5) Temperature Condition:	
Operating Temperature	-30°C ~ +70°C
Storage Temperature	-30°C ~ +80°C
(6) Input Power	> 1Watt

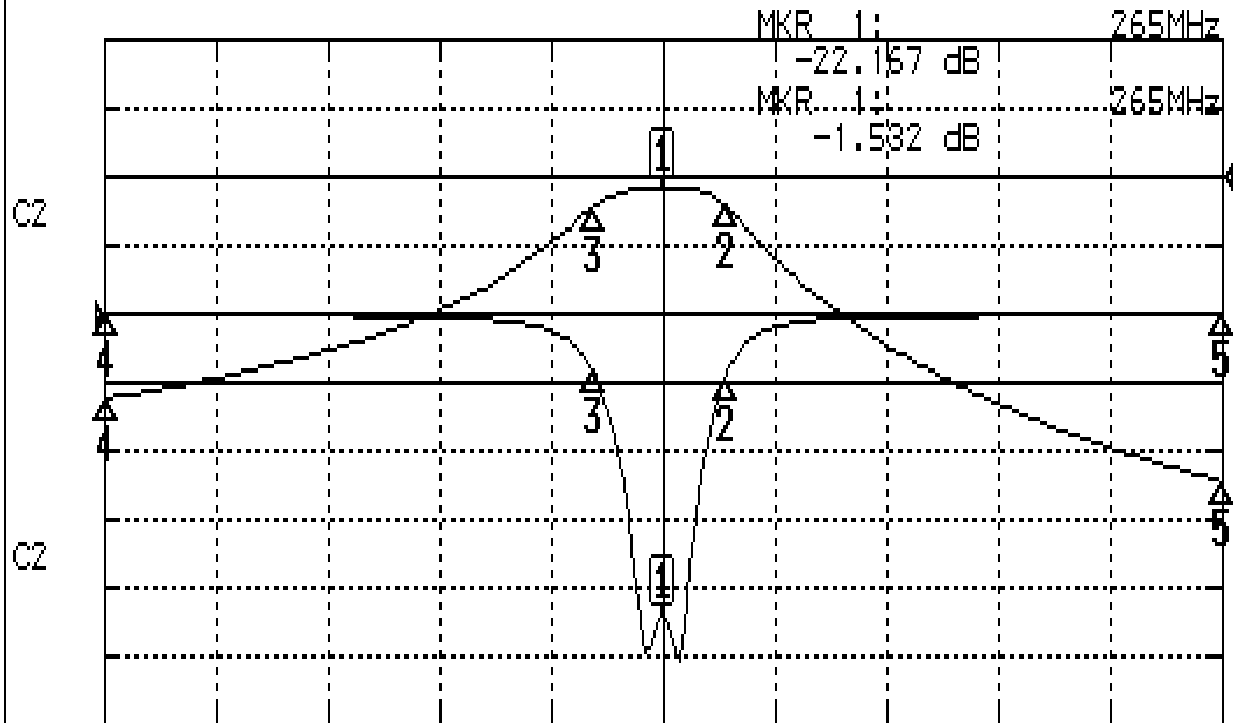


Approval	Supervisor	Designer	Aperture size
C.Y.Chang	C.K.Chang	F.L.Lai	7H2S(4*5.5)(5.60) 7H024LB4
TEMWELL CORPORATION			

Performance-TD6736B-265M

201202013A

CH1 S11 LOG MAG REF 0.000 dB 5.000 dB/
CH2 S21 LOG MAG REF 0.000 dB 10.000 dB/



CENTER 265MHz

[10.00 dBm]

SPAN 100MHz

CH1 MARKER LIST

1:	265.000MHz	-22.167 dB
2:	270.666MHz	-4.565 dB
3:	258.750MHz	-4.131 dB
4:	215.000MHz	-0.105 dB
5:	315.000MHz	-0.103 dB

CH2 MARKER LIST

1:	265.000MHz	-1.532 dB
2:	270.666MHz	-4.515 dB
3:	258.750MHz	-4.519 dB
4:	215.000MHz	-32.286 dB
5:	315.000MHz	-44.402 dB