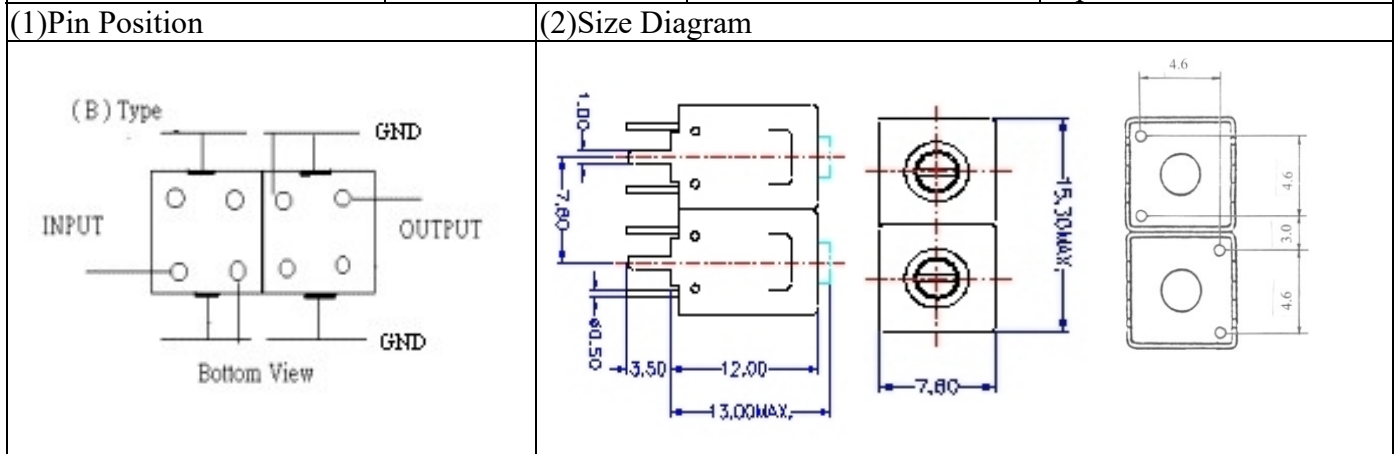
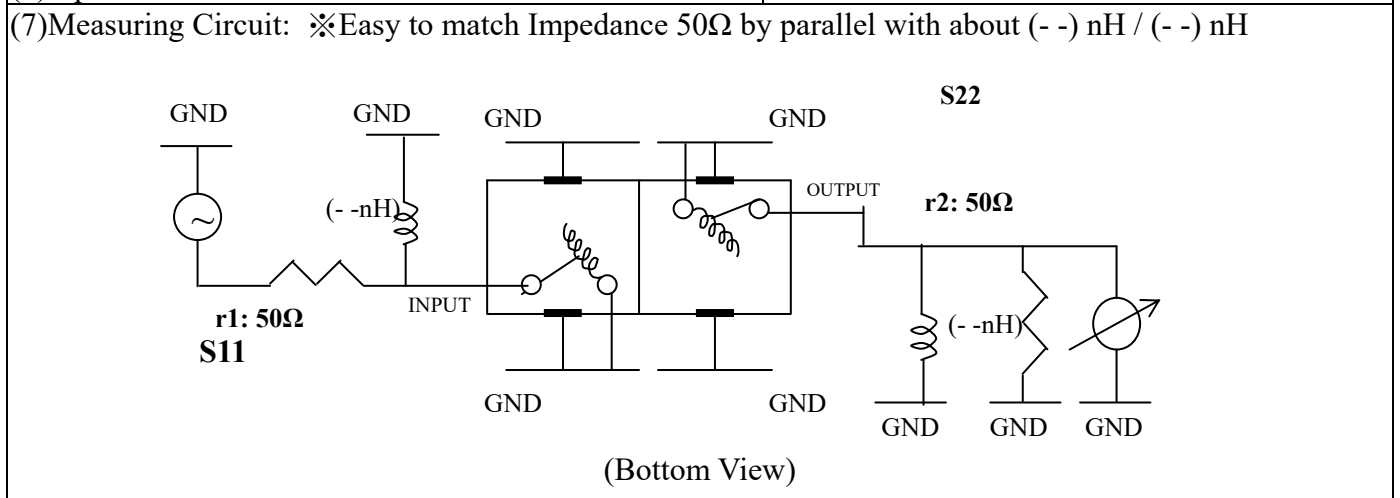


# VHF UHF Helical Filter Specification Sheet

Customer Name		Temwell's Part No.	TD6736B-262M
Approval No. /dated		Temwell's Print Name	6736B 262M
Work Instruction No.	201508035A	Date	Sep.24.2015



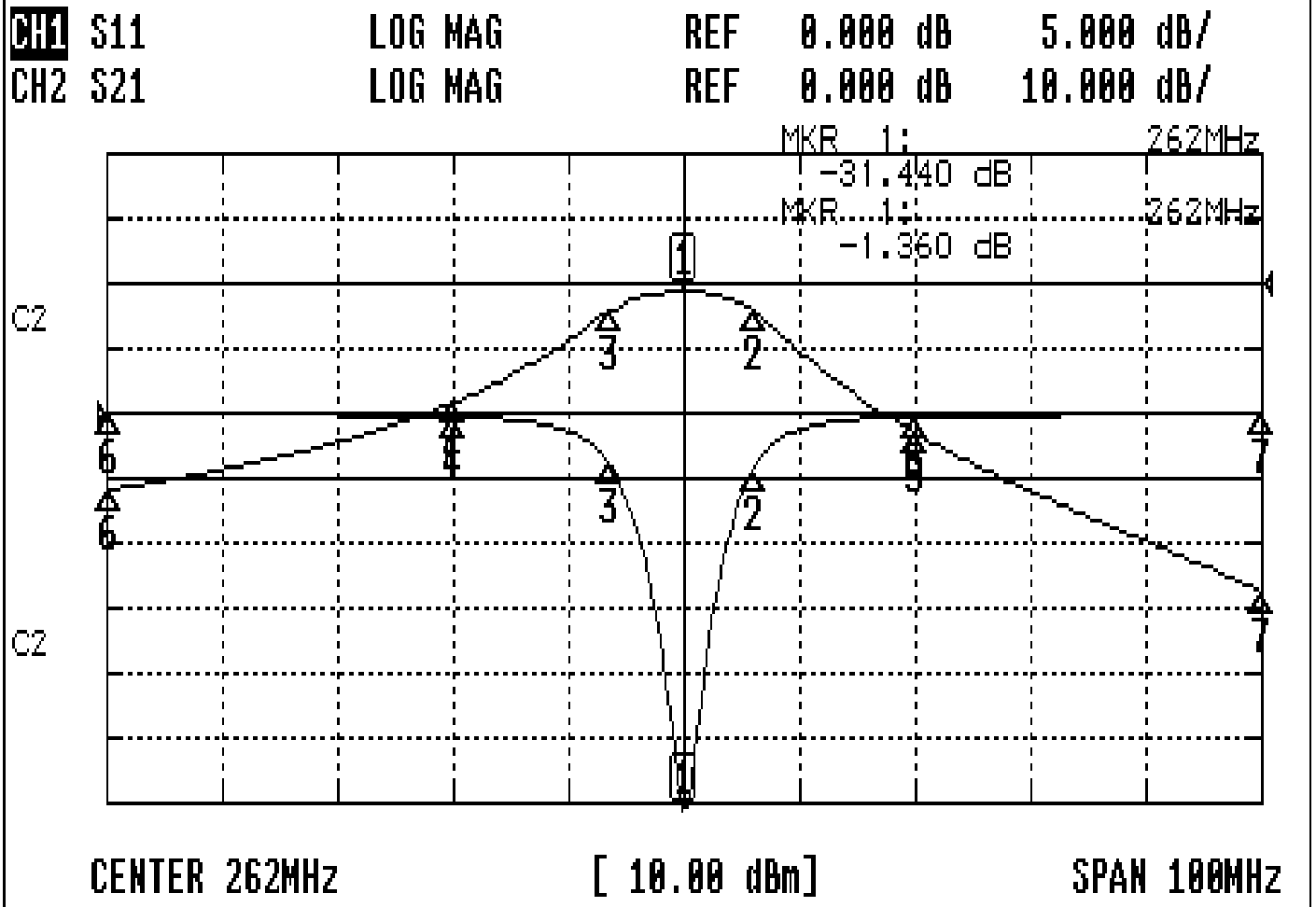
(3) Electric Character		Item	Specify
Center Freq.(Fo) +/- 0.5 %			262 MHz
Insertion Loss		Typ.	3.0 dB
-3 dB Bandwidth		Typ.	10 MHz
Sensitivity (Attenuation)	Fo - 20 MHz	Typ.	16 dBc
	Fo + 20 MHz	Typ.	21 dBc
	Fo -( )MHz	Typ.	dBc
	Fo +( )MHz	Typ.	dBc
Return Loss		Min.	12 dB
Ripple			< 1 dB
Impedance			In / Out : 50 Ω
(4) Torque for Tuning Screw			> 60gf · cm
(5) Temperature Condition:			
Operating Temperature			0°C ~ +60°C
Storage Temperature			-20°C ~ +70°C
(6) Input Power			> 1 Watt



Approval	Supervisor	Designer	Aperture size
C.Y.Chang	C.K.Chang	P.H.Chiang	7H2S(4*5.35)(5.39) 7H024LB4
TEMWELL CORPORATION			

# Performance-TD6736B-262M

## 201508035A



### CH1 MARKER LIST

1	262.000MHz	-31.440	dB
2	268.000MHz	-4.361	dB
3	255.583MHz	-3.954	dB
4	242.000MHz	-0.267	dB
5	282.000MHz	-0.261	dB
6	212.000MHz	-0.107	dB
7	312.000MHz	-0.118	dB
10			

### CH2 MARKER LIST

1	262.000MHz	-1.360	dB
2	268.000MHz	-4.325	dB
3	255.583MHz	-4.302	dB
4	242.000MHz	-18.352	dB
5	282.000MHz	-22.987	dB
6	212.000MHz	-31.884	dB
7	312.000MHz	-47.462	dB
10			