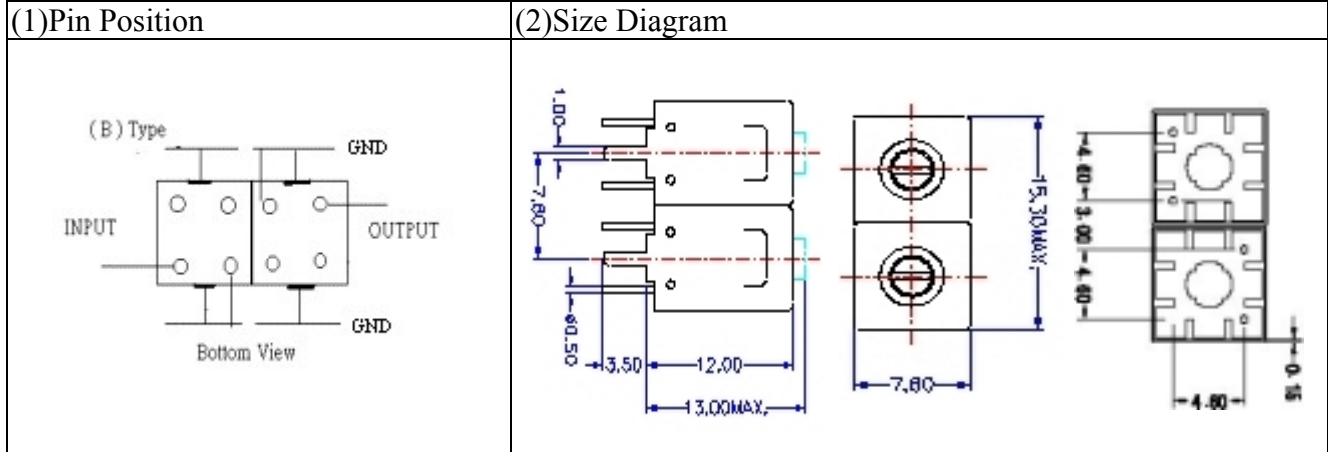


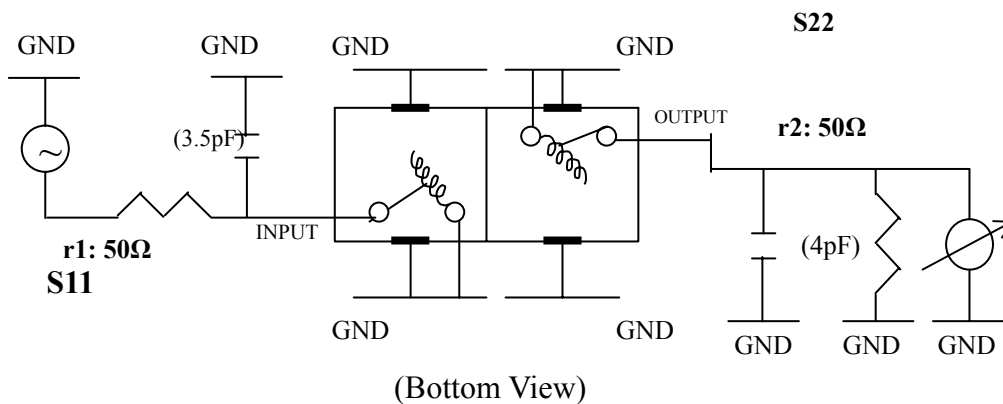
VHF UHF Helical Filter Specification Sheet

Customer Name		Temwell's Part No.	TD6736B-248M
Approval No. /dated	0709017APR	Temwell's Print Name.	6736B 248M
Work Instruction No.	0709017C	Date	Sep.19.2007



(3) Electric Charasteric	
Item	Specify
Center Freq.(Fo) +/- 0.5 %	248 MHz
Insertion Loss	Typ. 2.5 dB
-3 dB Bandwidth	Typ. 10 MHz
Sensitivity (Attenuation)	Fo - 50 MHz Typ. 29 dBc
	Fo + 50 MHz Typ. 44 dBc
	Fo - ()MHz Typ. dBc
	Fo +()MHz Typ. dBc
Return Loss	Min. 12 dB
Ripple	< 1 dB
Impedance	In / Out : 50 Ω
(4) Torque for Tuning Screw > 60gf cm	
(5) Temperature Condition:	
Operating Temperature	0 ~ +60
Storage Temperature	-20 ~ +70
(6) Input Power > 1Watt	

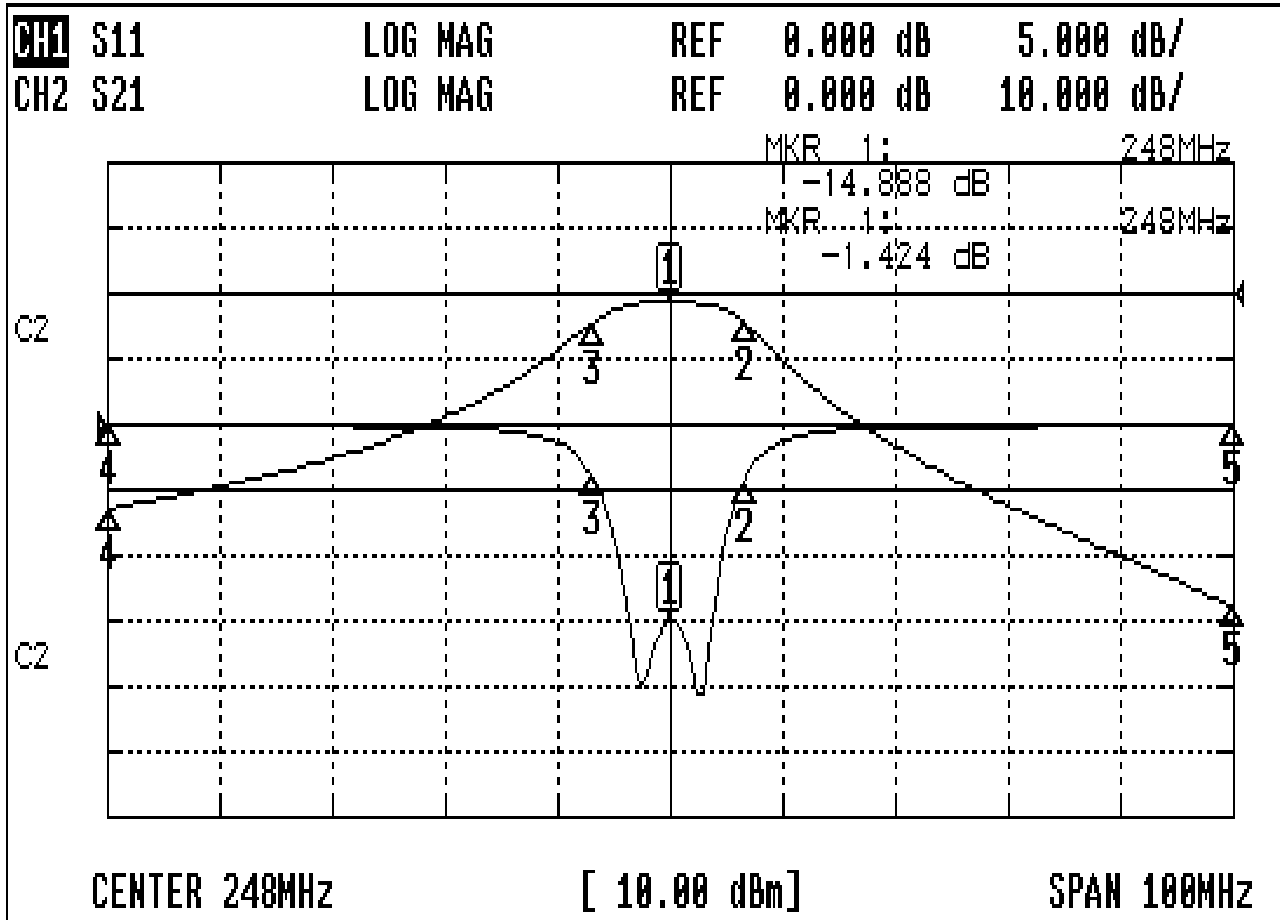
(7) Measuring Circuit: Easy to match Impedance 50Ω by parallel with about (3.5pF)/(4pF).



Approval C.Y.Chang	Supervisor C.S.Chang	Designer K.M.Yin	Aperture size 7H2S(4*5.5)
TEMWELL CORPORATION			

Performance-TD6736B-248M

0709017C



CH1 MARKER LIST

1:	248.000MHz	-14.888 dB
2:	254.583MHz	-4.295 dB
3:	241.000MHz	-3.729 dB
4:	198.000MHz	-0.098 dB
5:	298.000MHz	-0.119 dB
6:		
7:		
8:		
9:		
10:		

CH2 MARKER LIST

1:	248.000MHz	-1.428 dB
2:	254.583MHz	-4.489 dB
3:	241.000MHz	-4.492 dB
4:	198.000MHz	-32.786 dB
5:	298.000MHz	-47.877 dB
6:		
7:		
8:		
9:		
10:		