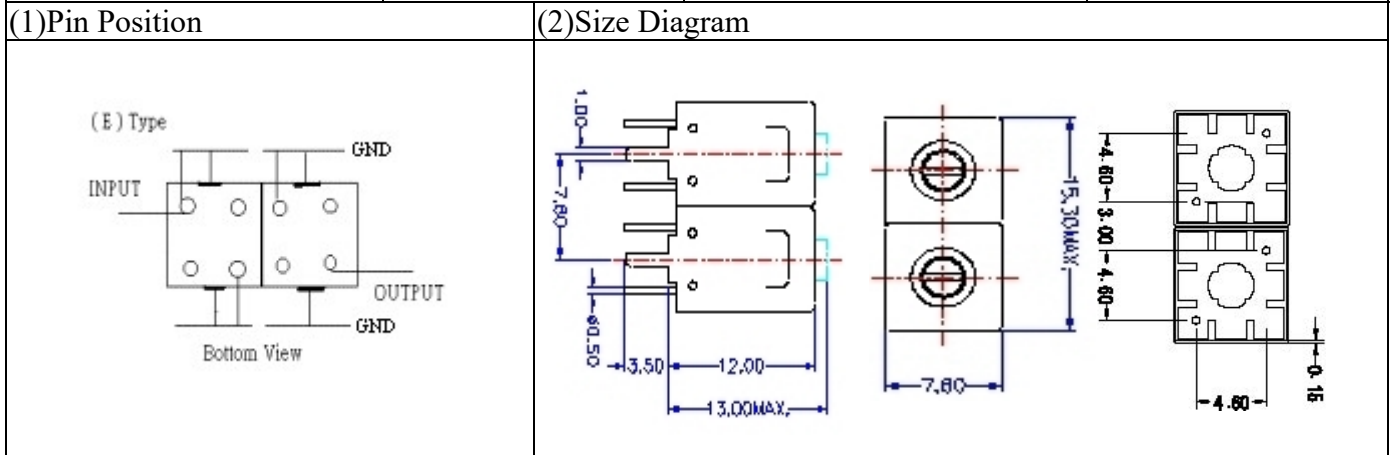
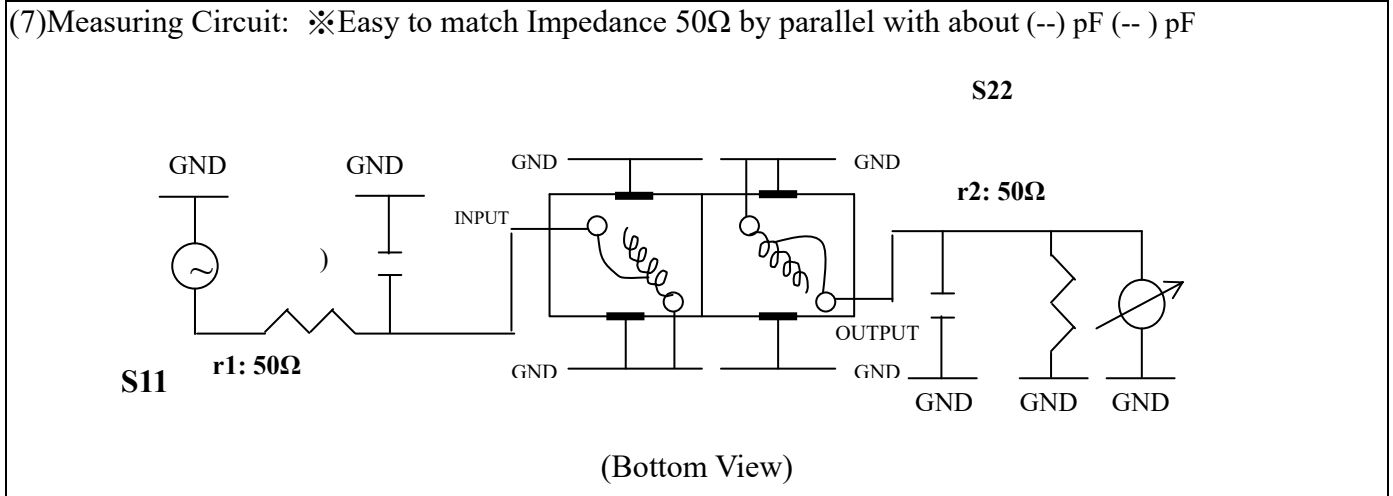


VHF UHF Helical Filter Specification Sheet

Customer Name		Temwell's Part No.	TD67298E-460M
Approval No. /dated		Temwell's Print Name.	67298E 460M
Work Instruction No.	201311035A-1	Date	Dec.05.2013



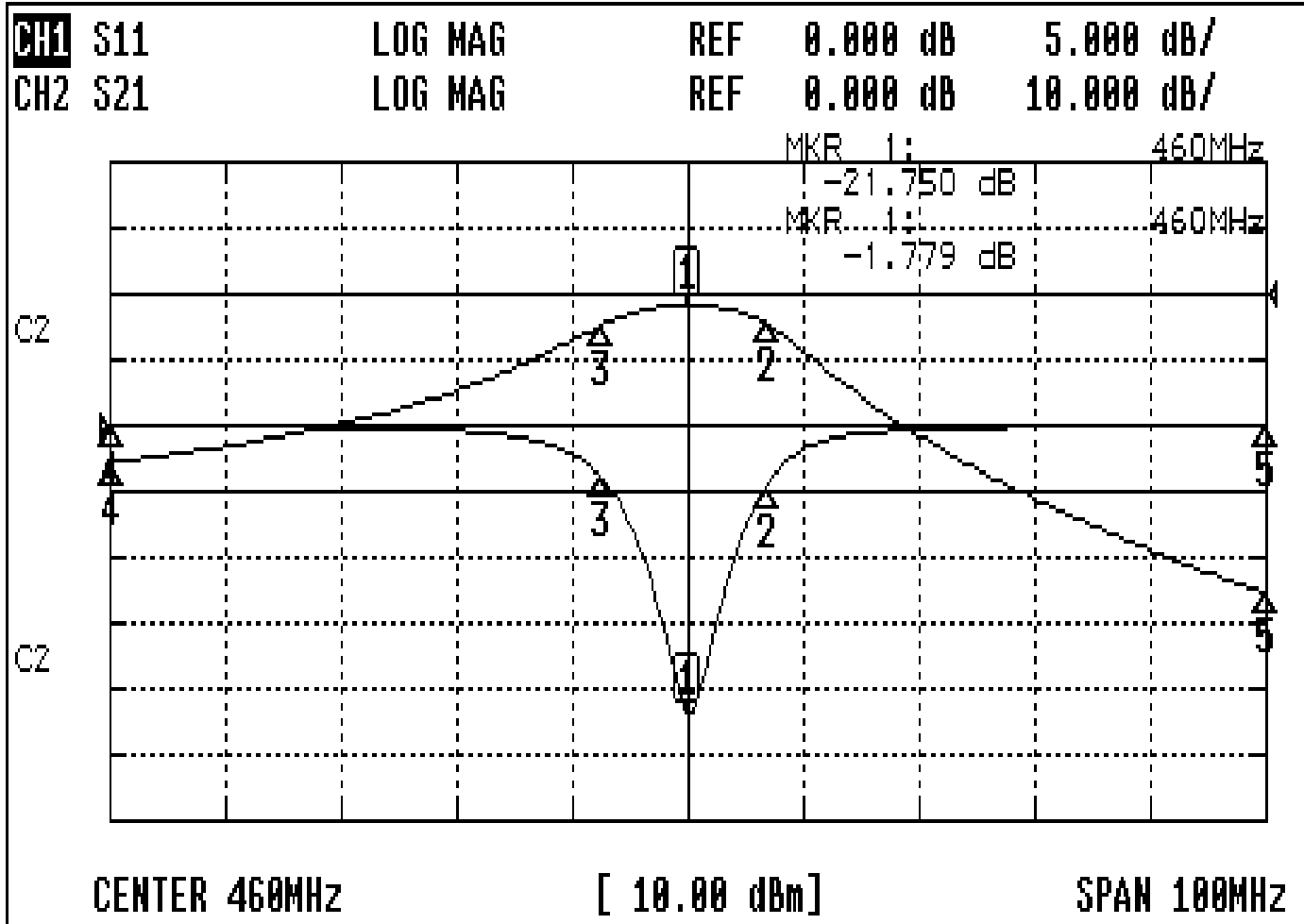
(3) Electric Characteristic		Item	Specify
		Center Freq.(Fo) +/- 0.5 %	460 MHz
		Insertion Loss	Typ. 3.0 dB
		-3 dB Bandwidth	Typ. 10 MHz
Sensitivity (Attenuation)	Fo - 50 MHz	Typ. 21	dBc
	Fo + 50 MHz	Typ. 42	dBc
	Fo - ()MHz	Typ.	dBc
	Fo +()MHz	Typ.	dBc
		Return Loss	Min. 12 dB
		Ripple	< 1 dB
		Impedance	In / Out : 50 Ω
(4) Torque for Tuning Screw		> 100gf · cm	
(5) Temperature Condition:			
Operating Temperature		0°C ~ +60°C	
Storage Temperature		-20°C ~ +70°C	
(6) Input Power		> 1 Watt	



Approval	Supervisor	Designer	Aperture size
C.Y.Chang	C.K.Chang	C.S.Chang	7H2S(4*5.35)(5.38) 7H46LB4.3 聚 3

Performance-TD67298E-460M

201311035A-1



CH1 MARKER LIST

1:	460.000MHz	-21.750 dB
2:	466.916MHz	-4.442 dB
3:	452.500MHz	-3.880 dB
4:	410.000MHz	-0.073 dB
5:	510.000MHz	-0.051 dB

CH2 MARKER LIST

1:	460.000MHz	-1.779 dB
2:	466.916MHz	-4.725 dB
3:	452.500MHz	-4.774 dB
4:	410.000MHz	-25.616 dB
5:	510.000MHz	-45.542 dB