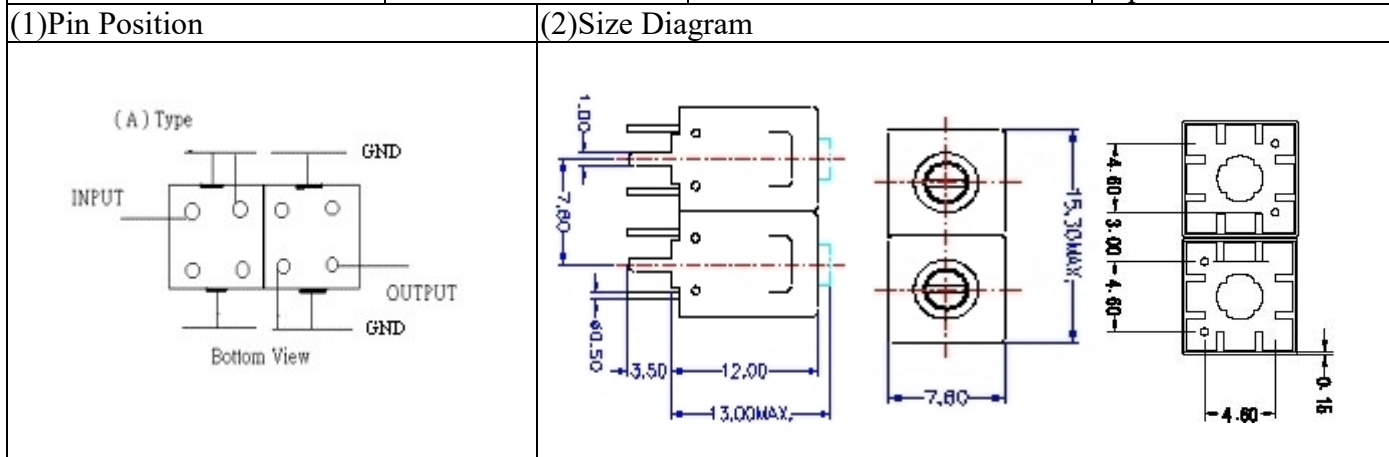


VHF UHF Helical Filter Specification Sheet

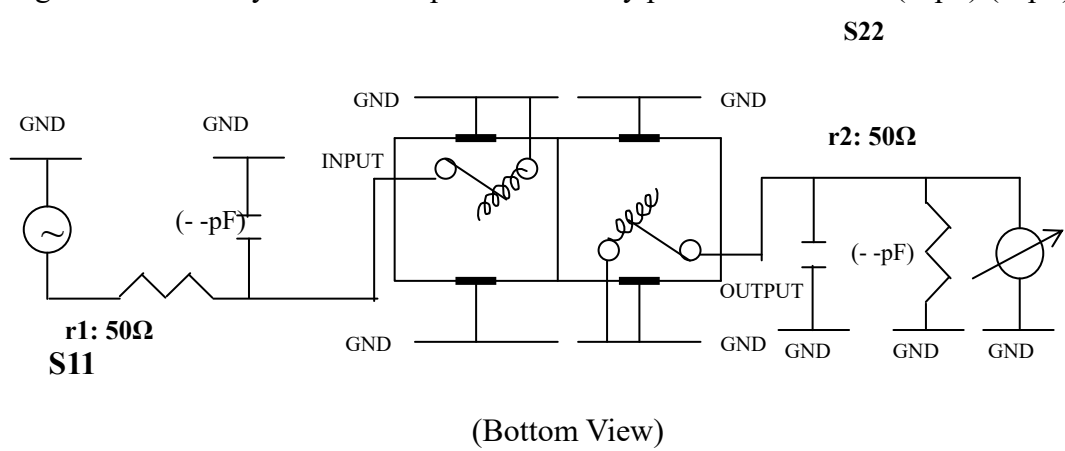
Customer Name		Temwell's Part No.	TD67282A-173M
Approval No. /dated		Temwell's Print Name.	67282A 173M
Work Instruction No.	201208039A	Date	Sep.05.2012



(3) Electric Characteristic

Item		Specify	
Center Freq.(Fo) +/- 0.75 %		173	MHz
Insertion Loss		Typ. 2.0	dB
-3 dB Bandwidth		Typ. 10	MHz
Sensitivity (Attenuation)	Fo - 50 MHz	Typ. 33	dBc
	Fo + 50 MHz	Typ. 33	dBc
	Fo - ()MHz	Typ.	dBc
	Fo +()MHz	Typ.	dBc
Return Loss		Min. 12	dB
Ripple		< 1	dB
Impedance		In / Out : 50 Ω	
(4) Torque for Tuning Screw		> 100gf · cm	
(5) Temperature Condition:			
Operating Temperature		-30°C ~ +70°C	
Storage Temperature		-30°C ~ +80°C	
(6) Input Power		> 1 Watt	

(7) Measuring Circuit: ※Easy to match Impedance 50Ω by parallel with about (- pF)/(- pF)

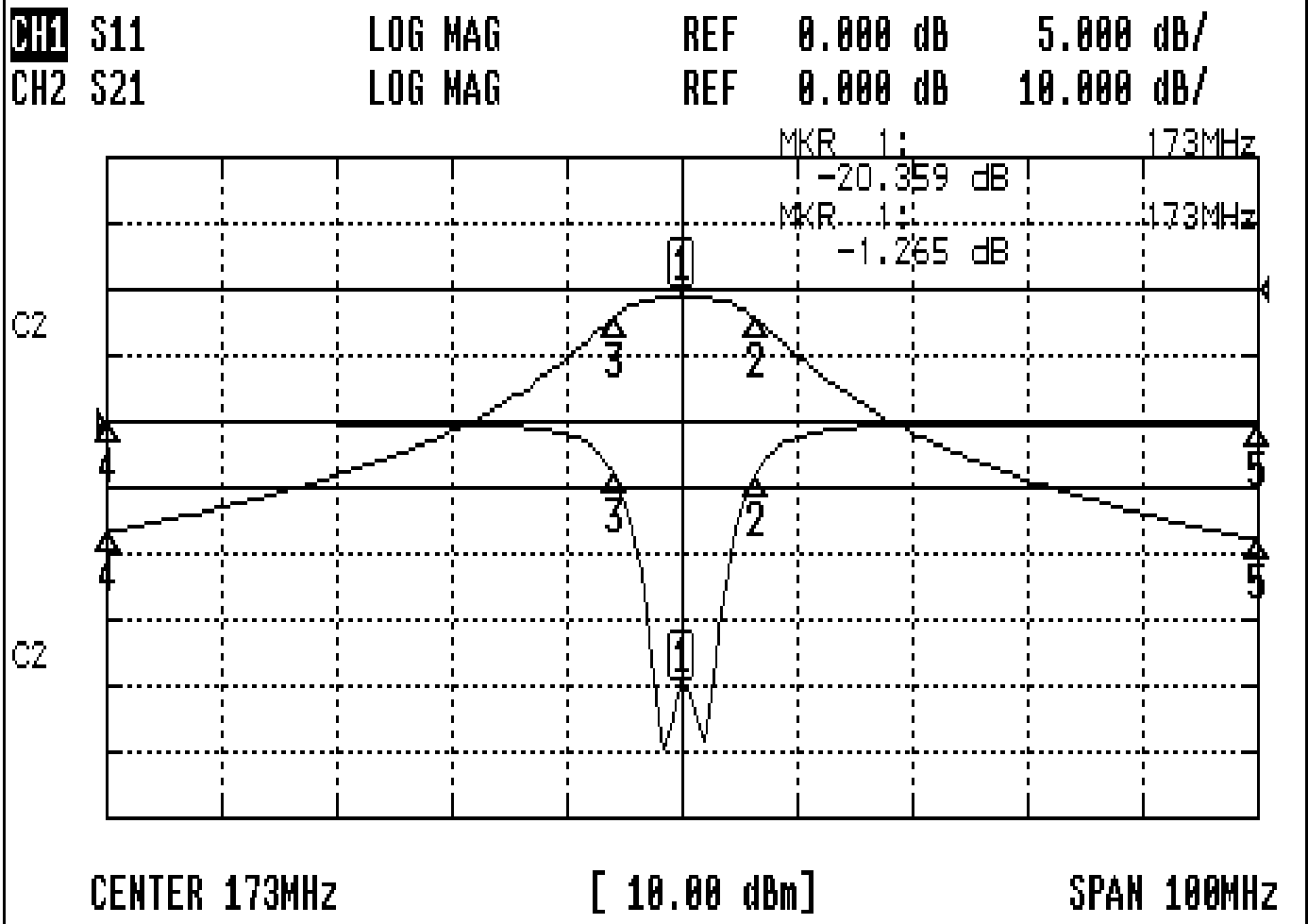


Approval C.Y.Chang	Supervisor C.K.Chang	Designer P.H.Chiang	Aperture size 7H2S(4*7.5)(7.58) 7H024LB4
-----------------------	-------------------------	------------------------	--

TEMWELL CORPORATION

Performance-TD67282A-173M

201208039A



CH1 MARKER LIST

1	173.000MHz	-20.358	dB
2	179.333MHz	-4.210	dB
3	167.083MHz	-4.049	dB
4	123.000MHz	-0.122	dB
5	223.000MHz	-0.153	dB

CH2 MARKER LIST

1	173.000MHz	-1.265	dB
2	179.333MHz	-4.282	dB
3	167.083MHz	-4.251	dB
4	123.000MHz	-0.759	dB
5	223.000MHz	-7.833	dB