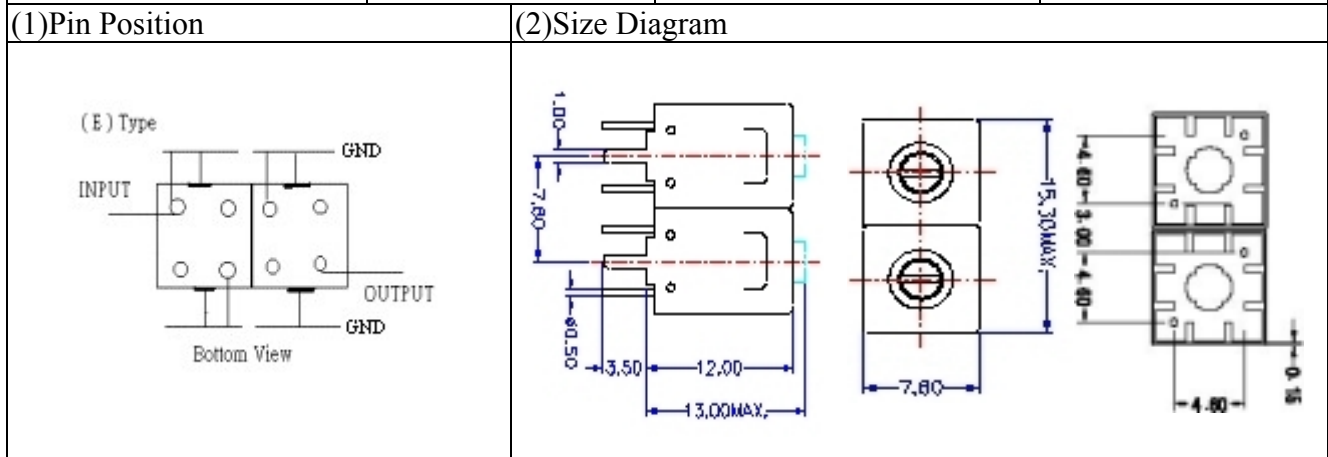


VHF UHF Helical Filter Specification Sheet

Customer Name		Temwell's Part No.	TD67281E-159M
Approval No. /dated	0806029CD	Customer's Print Name.	67281E 159M
Work Instruction No.	0806029CD	Date	Jun.18.2008



(3) Electric Characteristic

Item	Specify
Center Freq.(Fo) +/- 0.5 %	159 MHz
Insertion Loss	Typ. 3 dB
-3 dB Bandwidth	Typ. 10 MHz
Sensitivity (Attenuation)	Fo - 50 MHz Typ. 33 dBc
	Fo + 50 MHz Typ. 40 dBc
	Fo - ()MHz Typ. dBc
	Fo +()MHz Typ. dBc
Return Loss	Min. 12 dB
Ripple	< 1 dB
Impedance	In / Out : 50 Ω

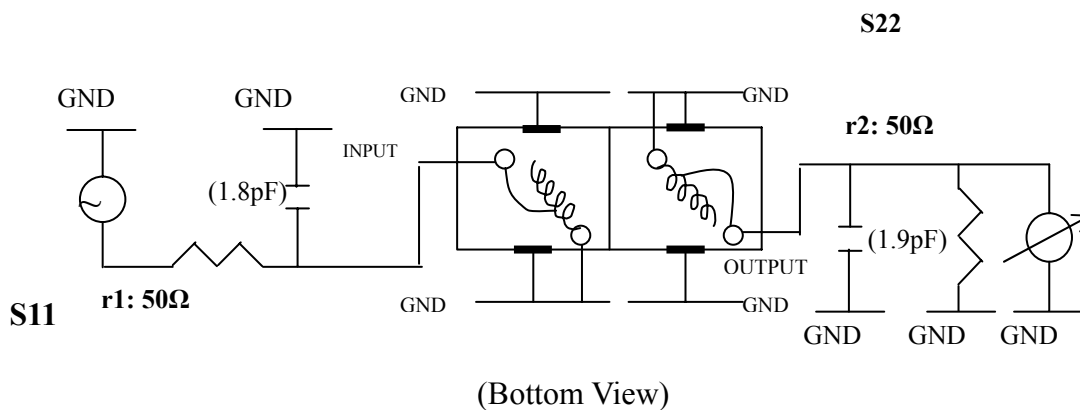
(4) Torque for Tuning Screw > 100gf cm

(5) Temperature Condition:

Operating Temperature	0 ~ +60
Storage Temperature	-20 ~ +70

(6) Input Power > 1 Watt

(7) Measuring Circuit: Easy to match Impedance S11/S22 50Ω by parallel with about (1.8pF)/(1.9pF).

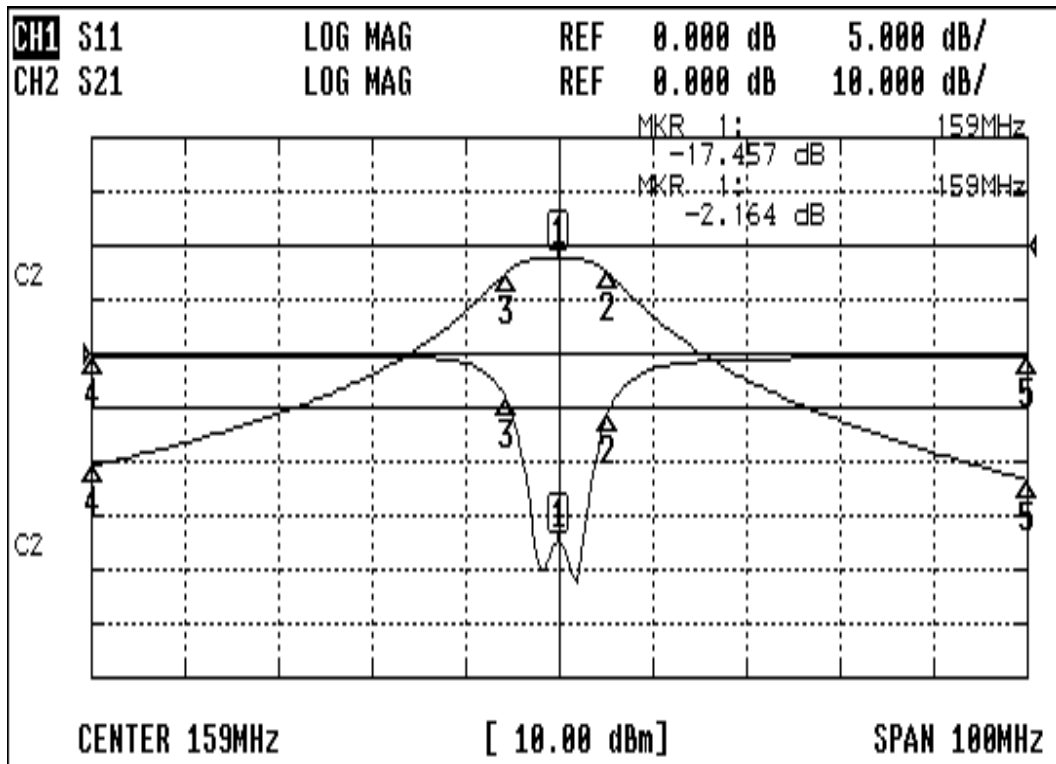


Approval	Supervisor	Designer	Aperture size
C.Y.Chang	C.S.Chang	Y.H.Chuan	7H2(4*6.35F) 7H00LB4

TEMWELL CORPORATION

Performance-TD67281E-159M

0806029CD



CH1 MARKER LIST

1:	159.000MHz	-17.456 dB
2:	164.250MHz	-5.668 dB
3:	153.333MHz	-4.203 dB
4:	109.000MHz	-0.157 dB
5:	209.000MHz	-0.322 dB
6:		
7:		
8:		
9:		
10:		

CH2 MARKER LIST

1:	159.000MHz	-2.164 dB
2:	164.250MHz	-5.130 dB
3:	153.333MHz	-5.184 dB
4:	109.000MHz	-40.822 dB
5:	209.000MHz	-43.278 dB
6:		
7:		
8:		
9:		
10:		