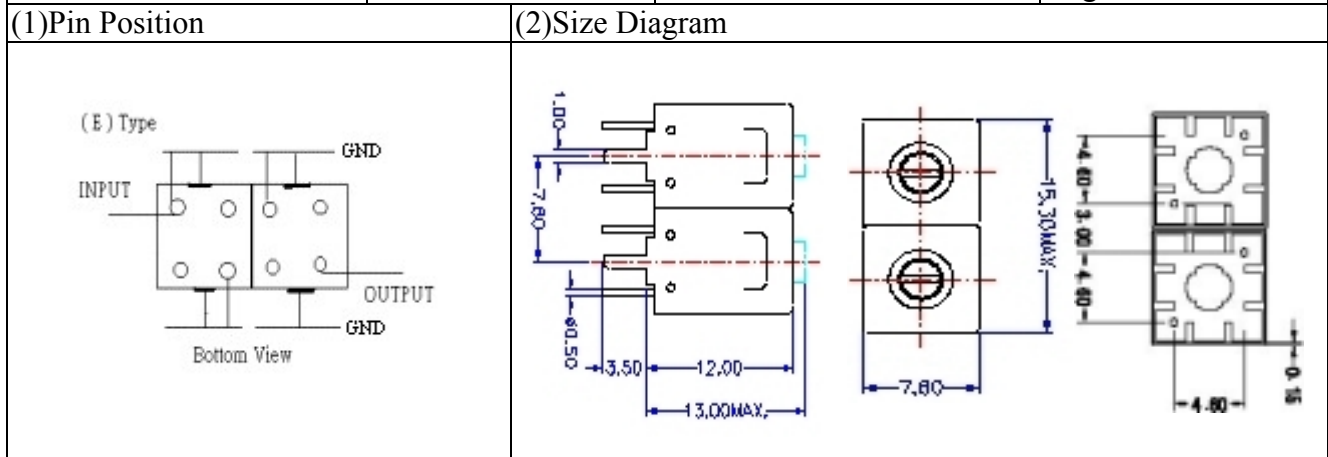


# VHF UHF Helical Filter Specification Sheet

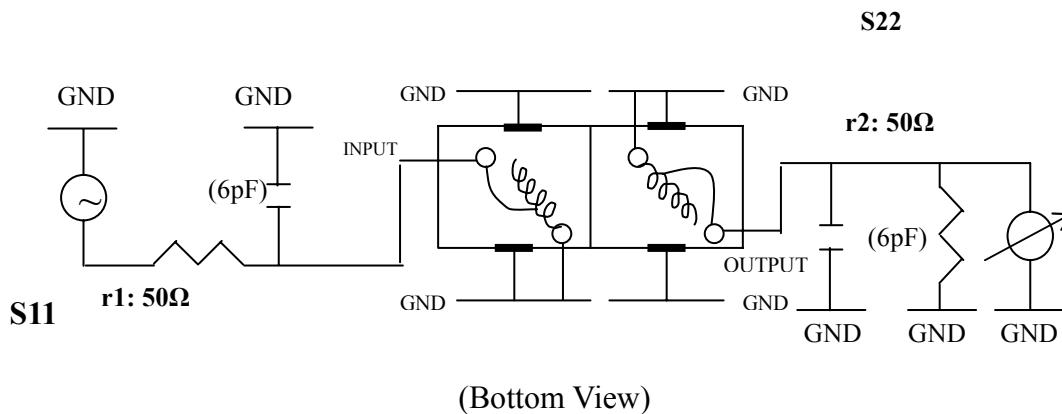
Customer Name		Temwell's Part No.	TD67281E-155M
Approval No. /dated	0708049APR	Customer's Print Name.	67281E 155M
Work Instruction No.	0708049C	Date	Aug.30.2007



(3) Electric Character

Item		Specify	
Center Freq.(Fo) +/- 0.5 %		155	MHz
Tunable Range:		155±2	MHz
Insertion Loss		Typ. 2.5	dB
-3 dB Bandwidth		Typ. 10	MHz
Sensitivity (Attenuation)	Fo - 50 MHz	Typ. 33	dBc
	Fo + 50 MHz	Typ. 40	dBc
	Fo - ( )MHz	Typ.	dBc
	Fo +( )MHz	Typ.	dBc
Return Loss		Min. 12	dB
Ripple		< 1	dB
Impedance		In / Out : 50 Ω	
(4) Torque for Tuning Screw		> 100gf cm	
(5) Temperature Condition:			
Operating Temperature		0 ~ +60	
Storage Temperature		-20 ~ +70	
(6) Input Power		> 1Watt	

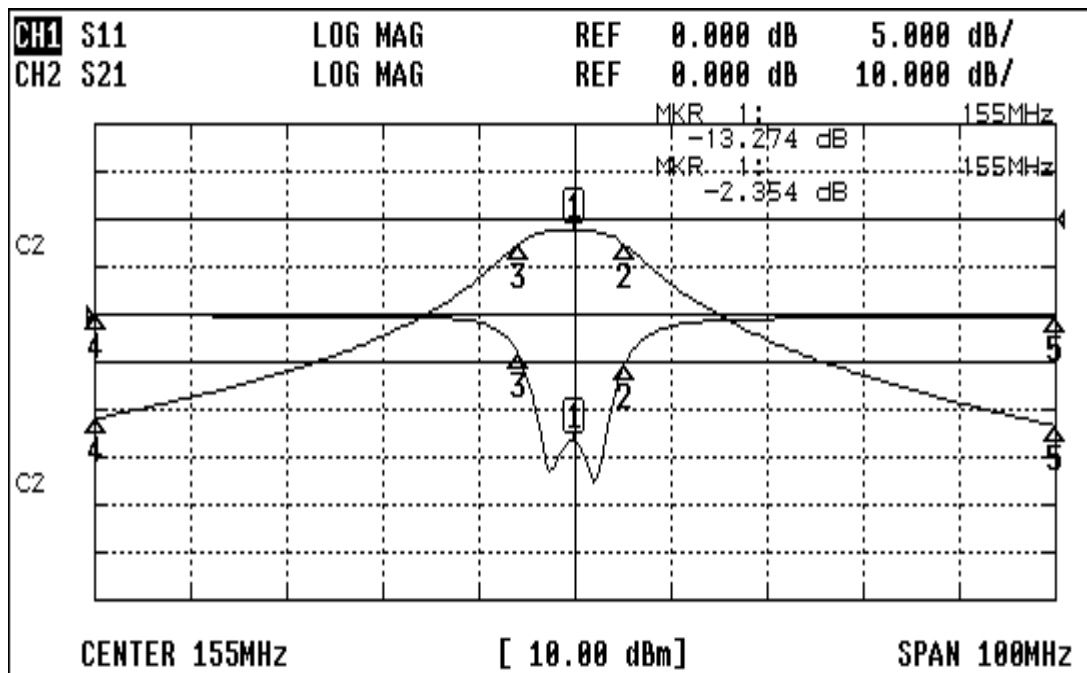
(7) Measuring Circuit: Easy to match Impedance 50Ω by parallel with about ( 6 ) pF.



Approval	Supervisor	Designer	Aperture size
C.Y.Chang	C.S.Chang	J.F.Lin	7H2S(4*6.35)(6.45) 7H00LB4
TEMWELL CORPORATION			

# Performance-TD67281E-155M

## 0708049C



### CH1 MARKER LIST

1	155.000MHz	-13.274	dB	
2	160.250MHz	-5.286	dB	
3	149.166MHz	-4.176	dB	
4	105.000MHz	-0.199	dB	
5	205.000MHz	-0.258	dB	

### CH2 MARKER LIST

1	155.000MHz	-2.354	dB	
2	160.250MHz	-10.366	dB	
3	149.166MHz	-9.256	dB	
4	105.000MHz	-1.279	dB	
5	205.000MHz	-1.338	dB	