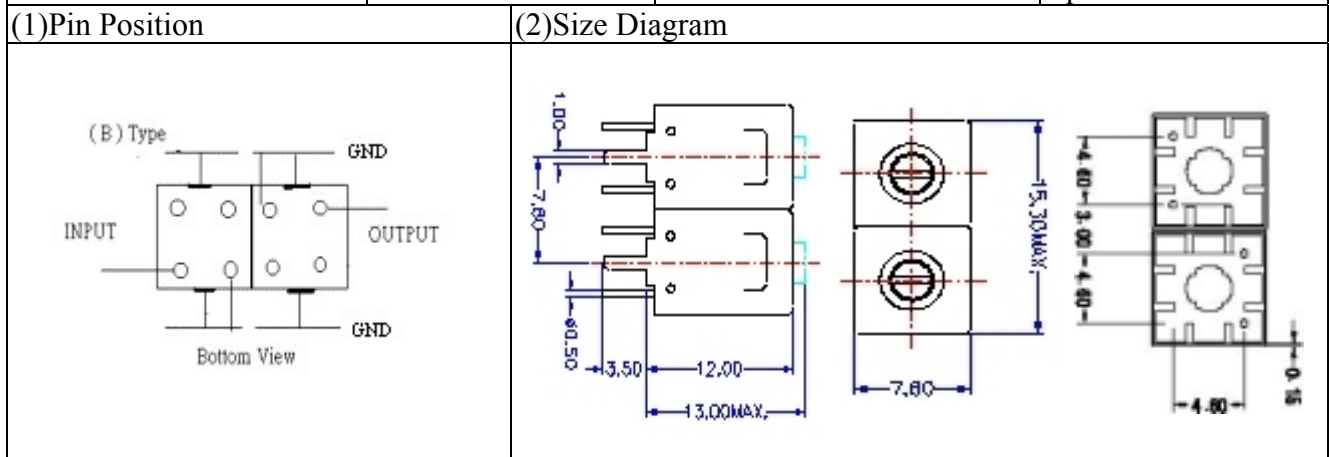


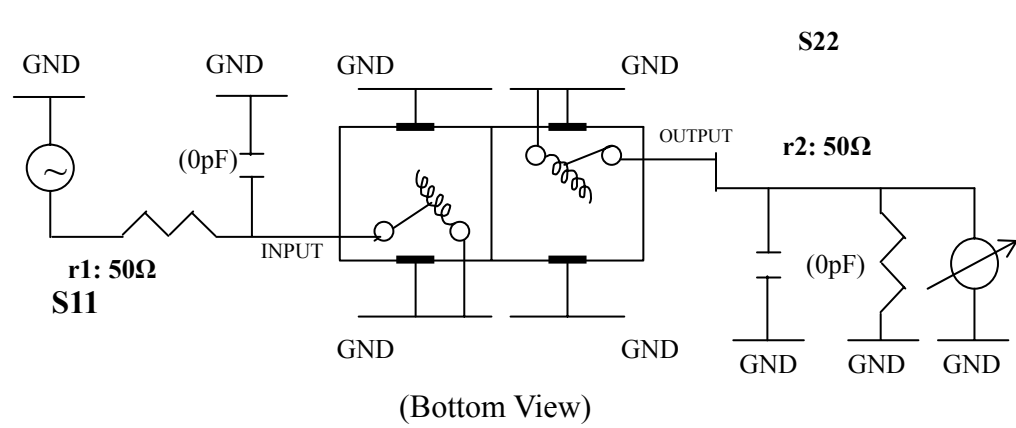
# VHF UHF Helical Filter Specification Sheet

Customer Name		Temwell's Part No.	TD6721B-315M
Approval No. /dated	0801072APR	Customer's Part No.	6721B 315M
Work Instruction No.	0801072CD	Date	Apr.14.2008



(3)Electric Charasteric	
Item	Specify
Center Freq.(Fo ) +/- 0.75 %	315 MHz
Insertion Loss	Typ. 2.0 dB
-3 dB Bandwidth	Typ. 13 MHz
Sensitivity (Attenuation )	Fo - 50 MHz Typ. 26 dBc
	Fo + 50 MHz Typ. 33 dBc
	Fo - ( )MHz Typ. dBc
	Fo +( )MHz Typ. dBc
Return Loss	Min. 12 dB
Ripple	< 1 dB
Impedance	In / Out : 50 Ω
(4)Torque for Tuning Screw	> 100gf cm
(5)Temperature Condition:	
Operating Temperature	- 30 ~ +70
Storage Temperature	- 30 ~ +80
(6)Input Power	> 1Watt

(7)Measuring Circuit: Easy to match Impedance S11/S22 50Ω by parallel with about (0)pF /(0)pF.

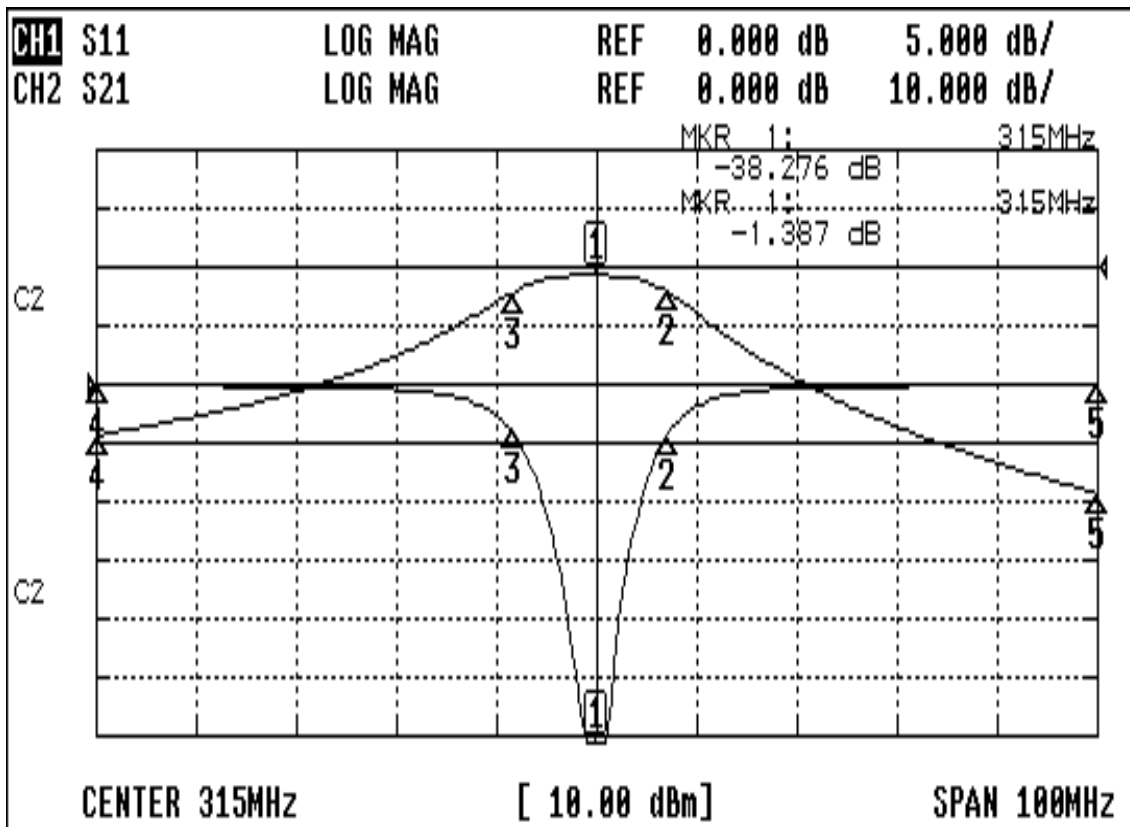


Approval C.Y.Chang	Supervisor C.S.Chang	Designer Y.H.Yeh	Aperture size 7H2(4*6.5F)*(4.0B) 7H046LB4 聚 3
-----------------------	-------------------------	---------------------	---

TEMWELL CORPORATION

# Performance-TD6721B-315M

## 0801072CD



### CH1 MARKER LIST

1	315.000MHz	-38.276 dB
2	322.125MHz	-4.326 dB
3	306.580MHz	-4.058 dB
4	265.000MHz	-0.101 dB
5	365.000MHz	-0.095 dB

### CH2 MARKER LIST

1	315.000MHz	-1.387 dB
2	322.125MHz	-4.383 dB
3	306.580MHz	-4.394 dB
4	265.000MHz	-28.683 dB
5	365.000MHz	-38.539 dB