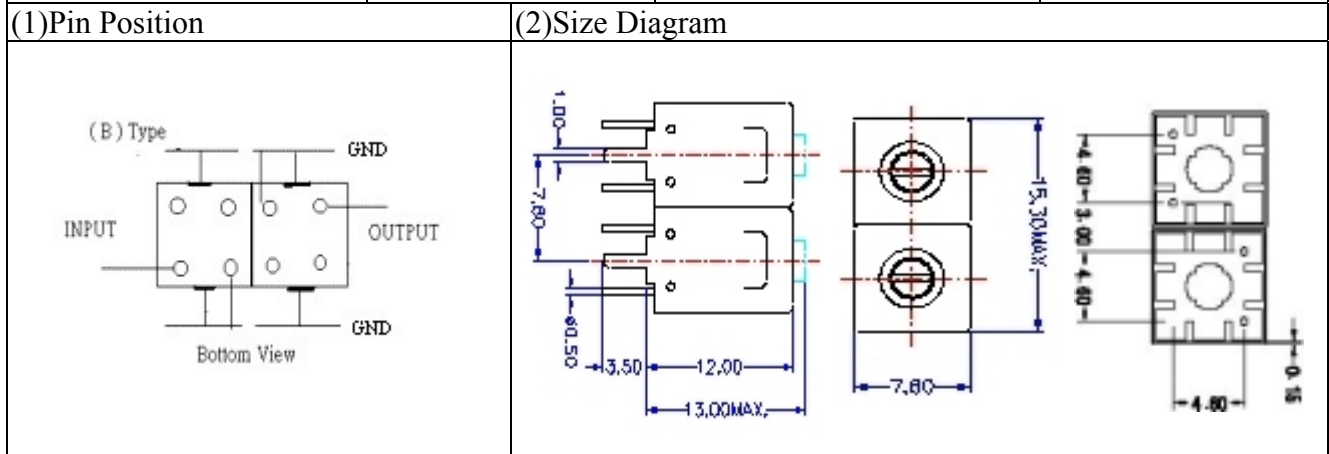


# VHF UHF Helical Filter Specification Sheet

Customer Name		Temwell's Part No.	TD67194B-140M
Approval No. /dated	1001038CD	Temwell's Print No.	67194B 140M
Work Instruction No.	201001038CD	Date	Feb.26.2010



(3) Electric Charasteric

Item	Specify
Center Freq.(Fo ) +/- 0.5 %	140 MHz
Insertion Loss	Typ. 2.5 dB
-3 dB Bandwidth	Typ. 9 MHz
Sensitivity (Attenuation )	Fo - 30 MHz    Typ. 20 dBc
	Fo + 30 MHz    Typ. 27 dBc
	Fo - ( )MHz    Typ. dB
	Fo +( )MHz    Typ. dB
Return Loss	Min. 12 dB
Ripple	< 1 dB
Impedance	In / Out : 50 Ω

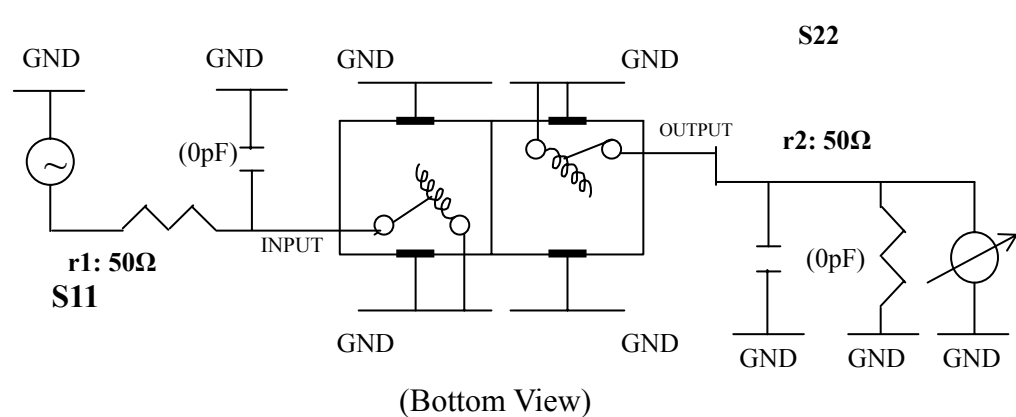
(4) Torque for Tuning Screw > 100gf cm

(5) Temperature Condition:

Operating Temperature	0 ~ +60
Storage Temperature	-20 ~ +70

(6) Input Power > 1Watt

(7) Measuring Circuit: Easy to match Impedance S11/S22 50Ω by parallel with about ( 0 ) pF.



Approval C.Y.Chang	Supervisor C.K.Chang	Designer J.F.Lin	Aperture size 7H2S(4*8.0)(8.05) 7H024LB4
-----------------------	-------------------------	---------------------	--

TEMWELL CORPORATION

# Performance-TD67194B-140M

## 201001038CD

