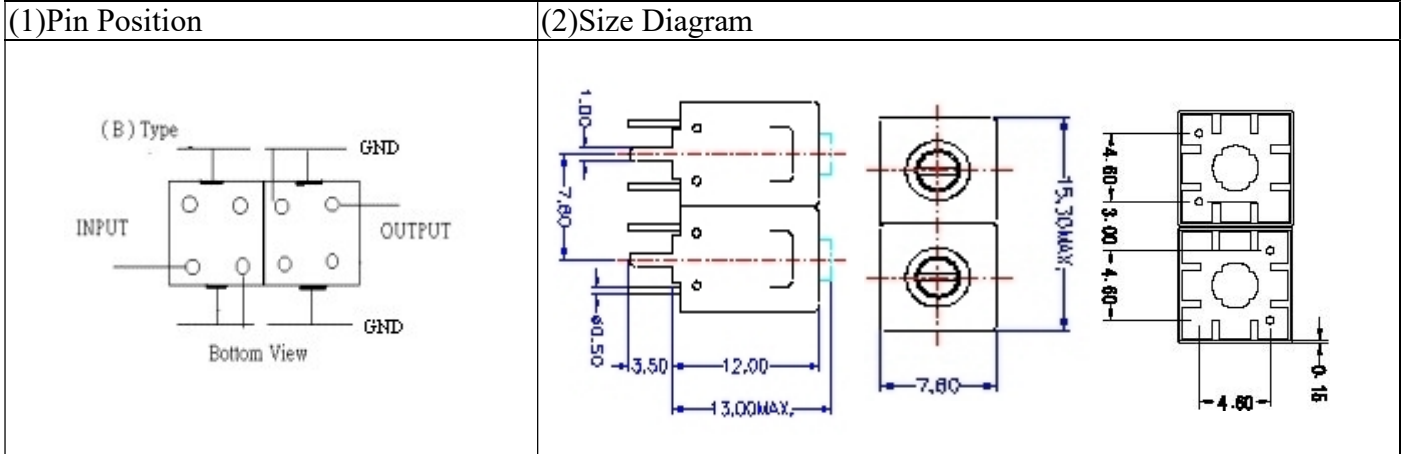


VHF UHF Helical Filter Specification Sheet

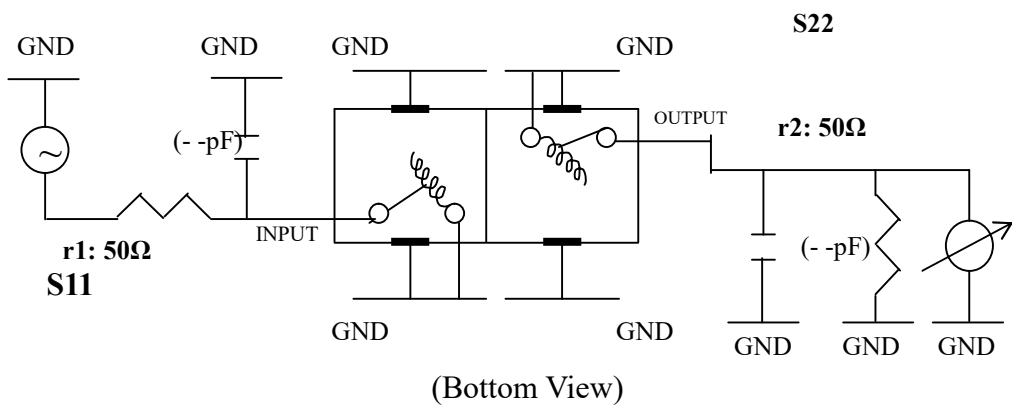
Customer Name		Temwell's Part No.	TD67186B-70M
Approval No. /dated		Temwell's Print No.	67186B 70M
Work Instruction No.	201404073A	Date	Apr.30.2014



(3) Electric Characteristic

Item	Specify
Center Freq.(Fo) +/- 0.5 %	70 MHz
Insertion Loss	Typ. 3.5 dB
-3 dB Bandwidth	Typ. 5 MHz
Sensitivity (Attenuation)	Fo - 20 MHz Typ. 22 dBc
	Fo + 20 MHz Typ. 23 dBc
	Fo - ()MHz Typ. dBc
	Fo +()MHz Typ. dBc
Return Loss	Min. 12 dB
Ripple	< 1 dB
Impedance	In / Out : 50 Ω
(4) Torque for Tuning Screw	> 100gf · cm
(5) Temperature Condition:	
Operating Temperature	0°C ~ +60°C
Storage Temperature	-60°C ~ +70°C
(6) Input Power	> 1Watt

(7) Measuring Circuit: ※Easy to match Impedance S11/S22 50Ω by parallel with about (-) pF.

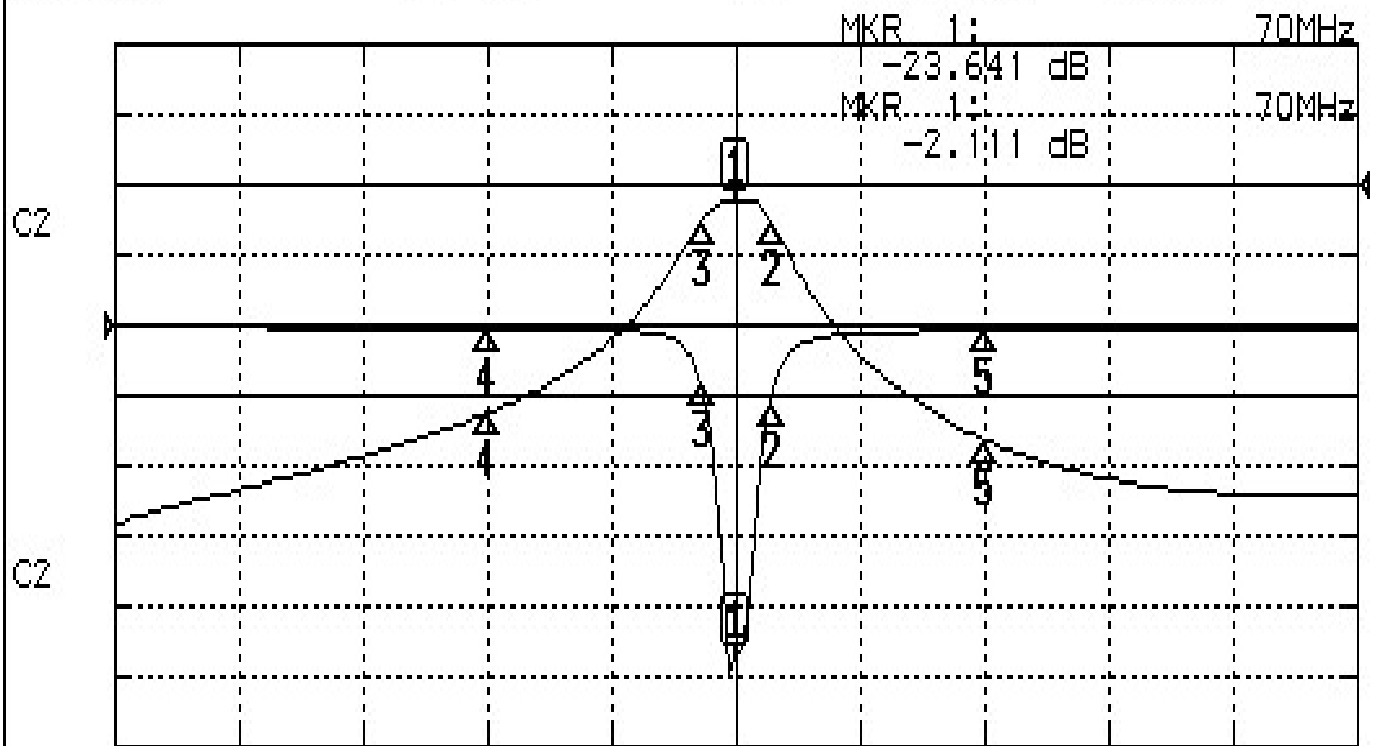


Approval C.Y.Chang	Supervisor C.K.Chang	Designer P.H.Chiang	Aperture size 7H2S(4*7.5)(7.58) (7H00LB4)
TEMWELL CORPORATION			

Performance-TD67186B-70M

201404073A

CH1 S11 LOG MAG REF 0.000 dB 5.000 dB/
CH2 S21 LOG MAG REF 0.000 dB 10.000 dB/



CENTER 70MHz

[10.00 dBm]

SPAN 100MHz

CH1 MARKER LIST

Marker	Frequency (MHz)	Magnitude (dB)
1:	70.000MHz	-23.641 dB
2:	72.833MHz	-5.308 dB
3:	67.250MHz	-4.282 dB
4:	50.000MHz	-0.206 dB
5:	90.000MHz	-0.394 dB

CH2 MARKER LIST

Marker	Frequency (MHz)	Magnitude (dB)
1:	70.000MHz	-2.108 dB
2:	72.833MHz	-5.162 dB
3:	67.250MHz	-5.116 dB
4:	50.000MHz	-32.507 dB
5:	90.000MHz	-36.301 dB