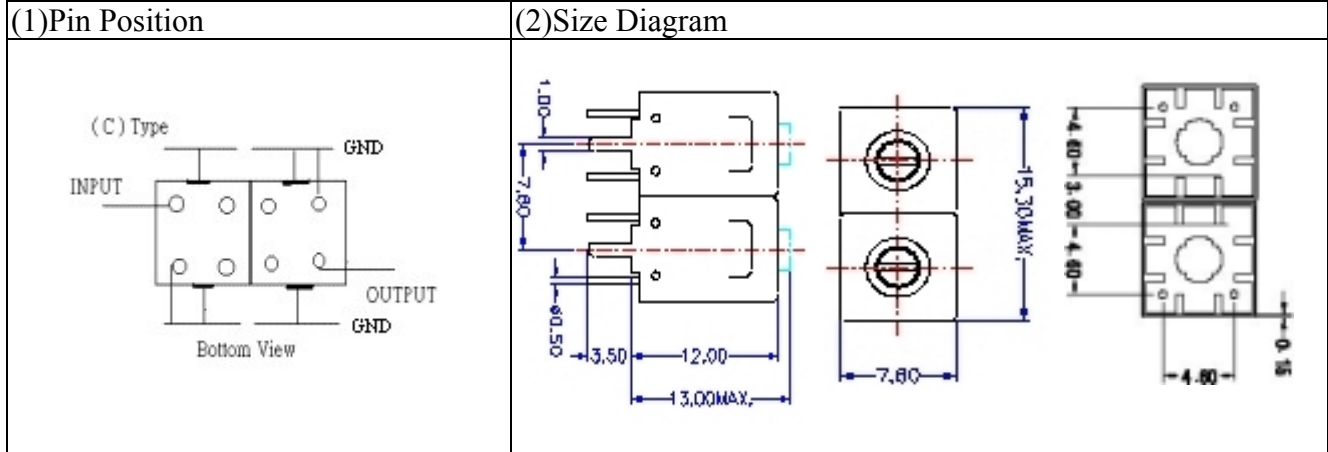
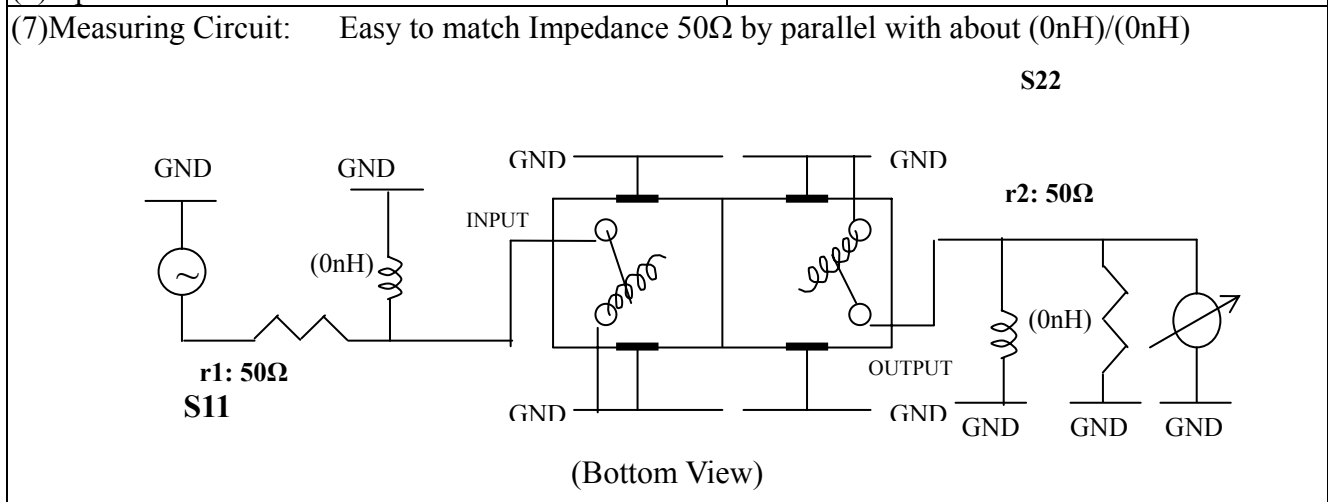


VHF UHF Helical Filter Specification Sheet

Customer Name		Temwell's Part No.	TD67166C-960M
Approval No. /dated	0709021APR	Temwell's Print Name	67166C 960M
Work Instruction No.	0709021C	Date	Sep.19.2007



(3) Electric Charasteric		Item	Specify
Center Freq.(Fo) +/- 0.5 %			960 MHz
Tunable Range:			960±10 MHz
Insertion Loss		Typ.	2.5 dB
-3 dB Bandwidth		Typ.	26 MHz
Sensitivity (Attenuation)	Fo - 50 MHz	Typ.	17 dBc
	Fo + 50 MHz	Typ.	14 dBc
	Fo - ()MHz	Typ.	dBc
	Fo +()MHz	Typ.	dBc
Return Loss		Min.	12 dB
Ripple			< 1 dB
Impedance			In / Out : 50 Ω
(4) Torque for Tuning Screw			> 100gf cm
(5) Temperature Condition:			
Operating Temperature			0 ~ +60
Storage Temperature			-20 ~ +70
(6) Input Power			> 1Watt

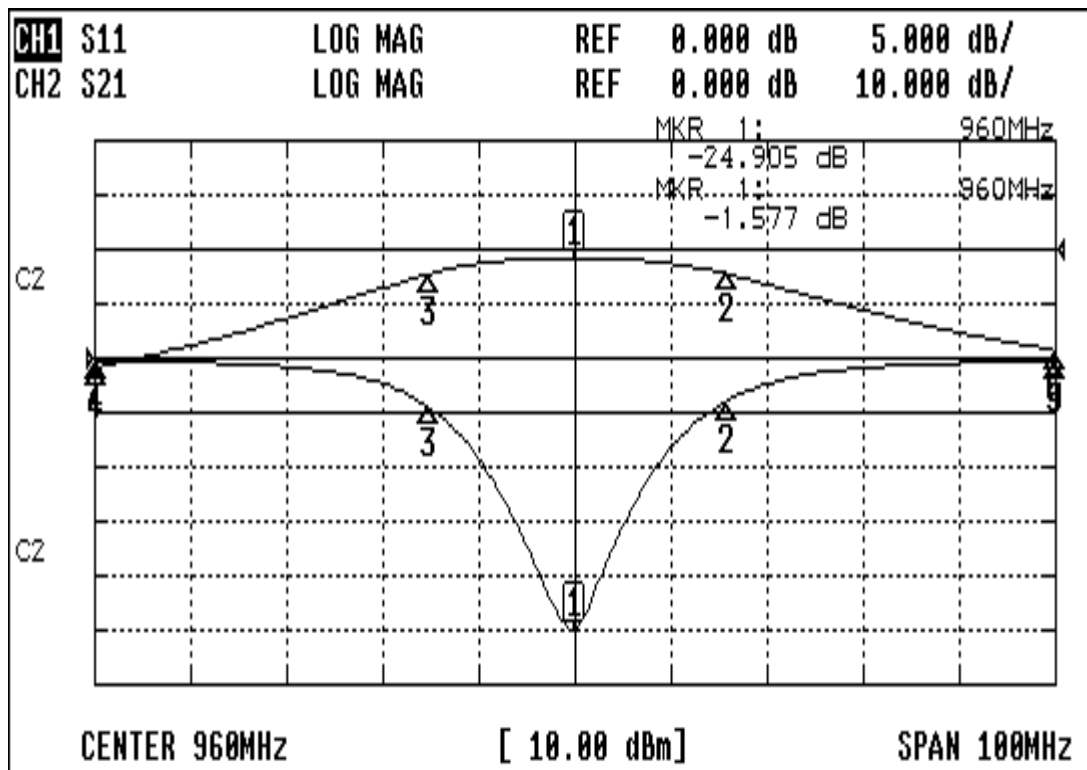


Approval C.Y.Chang	Supervisor C.S.Chang	Designer K.M.Yin	Aperture size 7H2S(4*4.65)F 7H046RB4
-----------------------	-------------------------	---------------------	--

TEMWELL CORPORATION

Performance-TD67166C-960M

0709021C



CH1 MARKER LIST

1:	960.000MHz	-24.905 dB
2:	975.916MHz	-3.844 dB
3:	944.833MHz	-4.494 dB
4:	910.000MHz	-0.226 dB
5:	1.010 000GHz	-0.263 dB
6:		
7:		
8:		
9:		
10:		

CH2 MARKER LIST

1:	960.000MHz	-1.577 dB
2:	975.916MHz	-4.581 dB
3:	944.833MHz	-4.510 dB
4:	910.000MHz	-21.787 dB
5:	1.010 000GHz	-18.558 dB
6:		
7:		
8:		
9:		
10:		