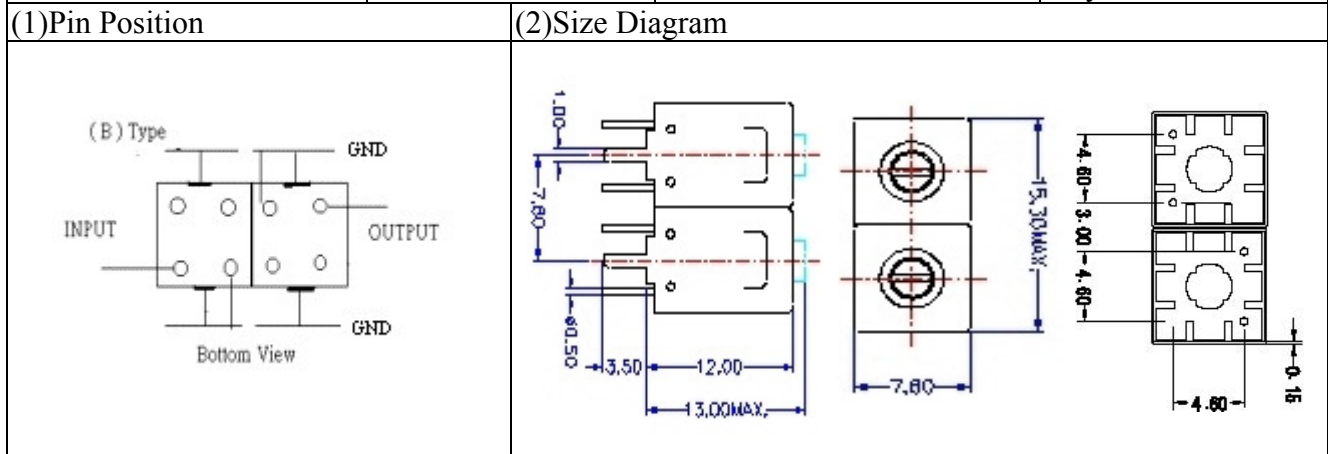


# VHF UHF Helical Filter Specification Sheet

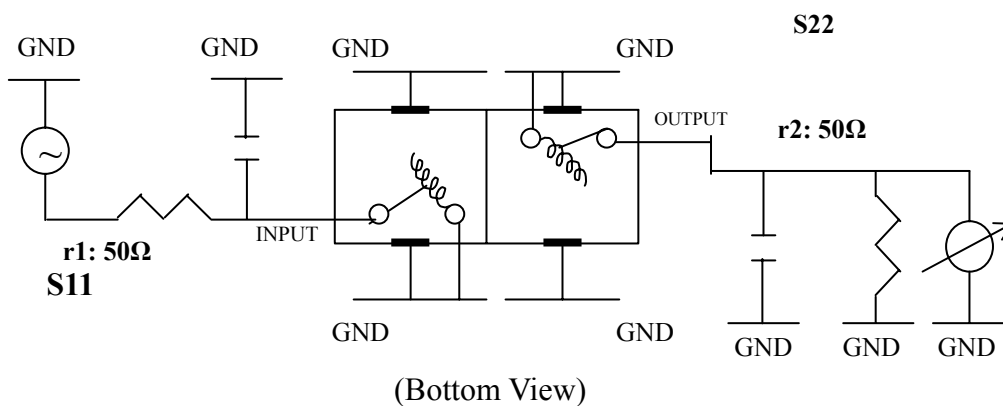
Customer Name		Temwell's Part No.	TD67156B1-415M
Approval No. /dated	201205045CD	Temwell's Print No.	67156B1 415M
Work Instruction No.	201205045CD	Date	May.15.2012



### (3) Electric Charasteric

Item	Specify	
Center Freq.(Fo ) +/- 0.5 %	415	MHz
Insertion Loss	Typ. 2.0	dB
-3 dB Bandwidth	Typ. 20	MHz
Sensitivity (Attenuation )	Fo - 50 MHz	Typ. 17 dBc
	Fo + 50 MHz	Typ. 25 dBc
	Fo - ( )MHz	Typ. dB
	Fo +( )MHz	Typ. dB
Return Loss	Min. 12	dB
Ripple	< 1	dB
Impedance	In / Out : 50 Ω	
(4)Torque for Tuning Screw	> 100gf cm	
(5)Temperature Condition:		
Operating Temperature	0 ~ +60	
Storage Temperature	-20 ~ +70	
(6)Input Power	> 1Watt	

(7)Measuring Circuit: Easy to match Impedance S11/S22 50Ω by parallel with about ( -- ) pF.



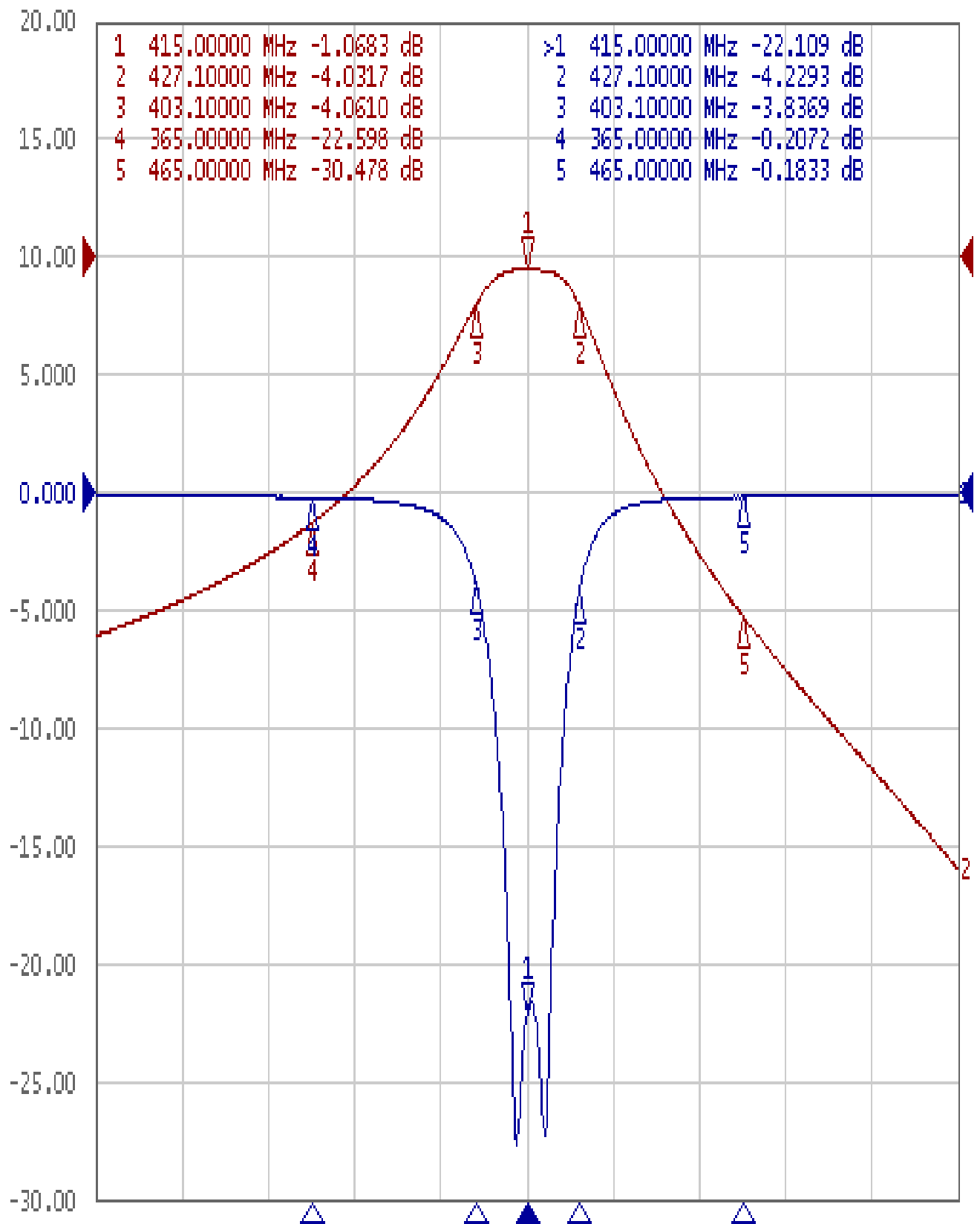
Approval C.Y.Chang	Supervisor C.K.Chang	Designer F.L.Lai	Aperture size 7H2S(4*6.5)(6.59) 7H046LB4.3 聚 3(J1)
-----------------------	-------------------------	---------------------	--

TEMWELL CORPORATION

# Performance-TD67156B1-415M

## 201205045CD

Tr1 S11 Log Mag 5.000dB/ Ref 0.000dB [F2]  
Tr2 S21 Log Mag 10.00dB/ Ref 0.000dB [F2]



1 Center 415 MHz

IFBW 10 kHz

Span 200 MHz Cor !