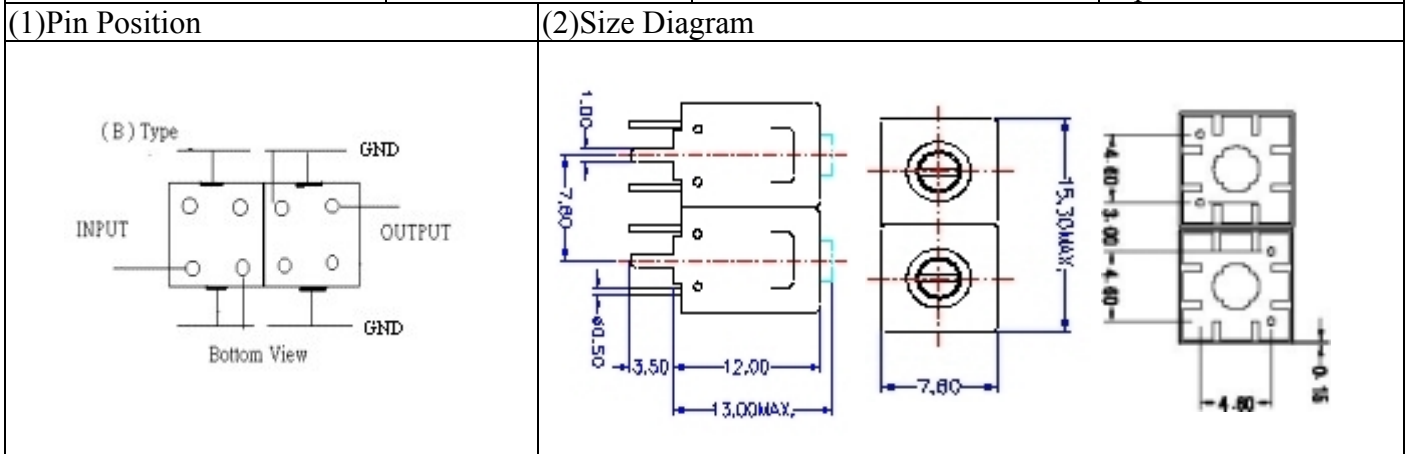


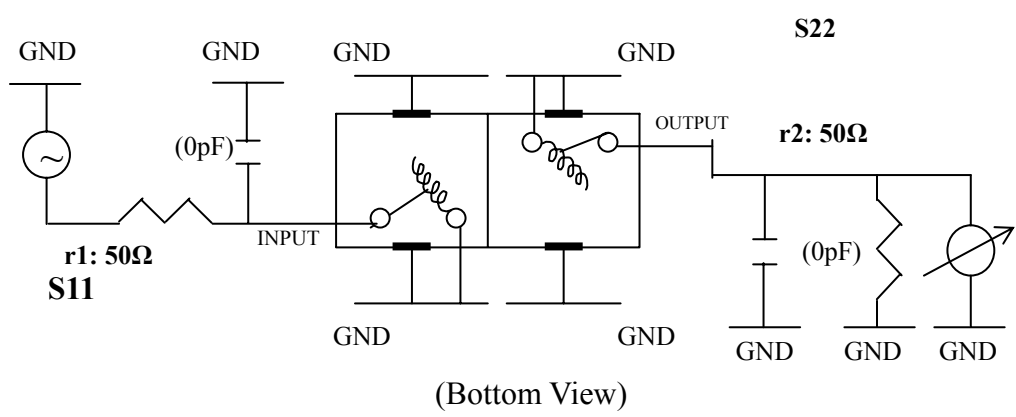
VHF UHF Helical Filter Specification Sheet

Customer Name		Temwell's Part No.	TD67156B-415M
Approval No. /dated	0709020APR	Temwell's Print Name	67156B 415M
Work Instruction No.	0709020C	Date	Sep.19.2007



(3) Electric Characteristic		Item	Specify
		Center Freq.(Fo) +/- 0.5 %	415 MHz
		Tunable Range:	415±5 MHz
		Insertion Loss	Typ. 2.0 dB
		-3 dB Bandwidth	Typ. 18 MHz
Sensitivity (Attenuation)	Fo - 50 MHz	Typ.	18 dBc
	Fo + 50 MHz	Typ.	26 dBc
	Fo - ()MHz	Typ.	dBc
	Fo +()MHz	Typ.	dBc
		Return Loss	Min. 12 dB
		Ripple	< 1 dB
		Impedance	In / Out : 50 Ω
(4) Torque for Tuning Screw			> 100gf cm
(5) Temperature Condition:			
Operating Temperature			0 ~ +60
Storage Temperature			-20 ~ +70
(6) Input Power			> 1 Watt

(7) Measuring Circuit: Easy to match Impedance 50Ω by parallel with about (0pF)/(0pF).

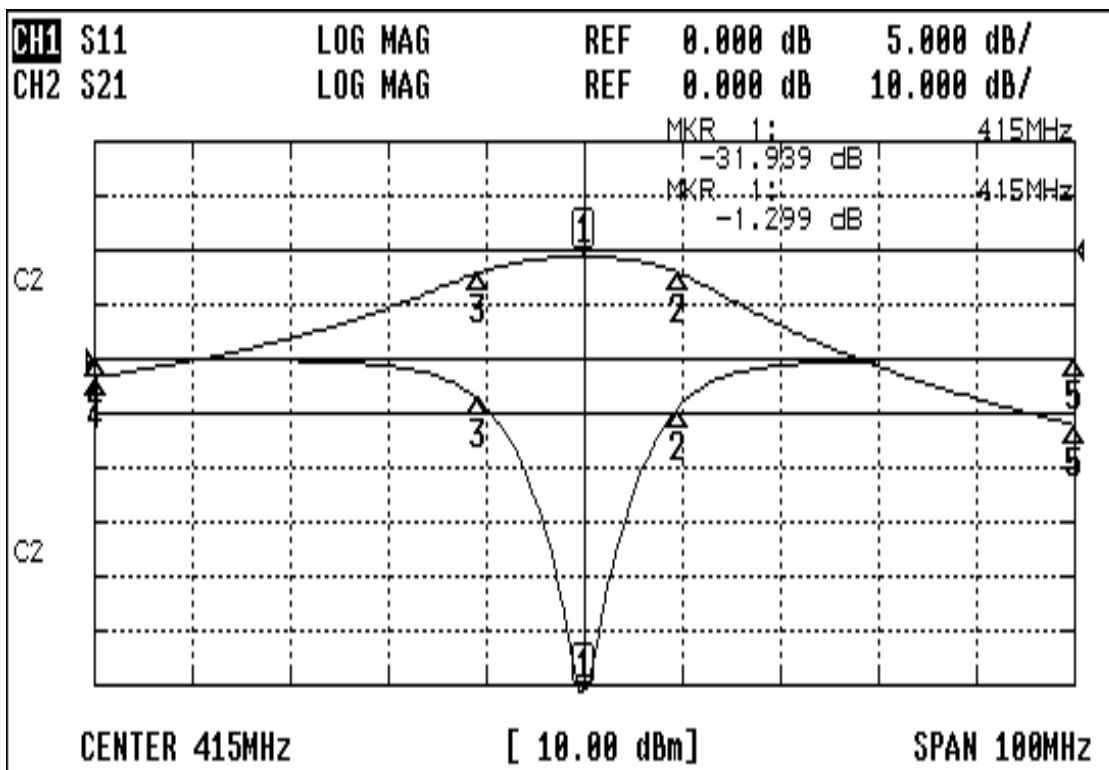


Approval C.Y.Chang	Supervisor C.S.Chang	Designer P.H.Chiang	Aperture size 7H2S(4*6.5)F 7H046LB4
-----------------------	-------------------------	------------------------	---

TEMWELL CORPORATION

Performance-TD67156B-415M

0709020C



CH1 MARKER LIST

1:	415.000MHz	-31.939 dB
2:	424.666MHz	-4.397 dB
3:	404.166MHz	-3.699 dB
4:	365.000MHz	0.042 dB
5:	465.000MHz	0.042 dB

CH2 MARKER LIST

1:	415.000MHz	-1.299 dB
2:	424.666MHz	-4.279 dB
3:	404.166MHz	-4.205 dB
4:	365.000MHz	-23.356 dB
5:	465.000MHz	-32.083 dB